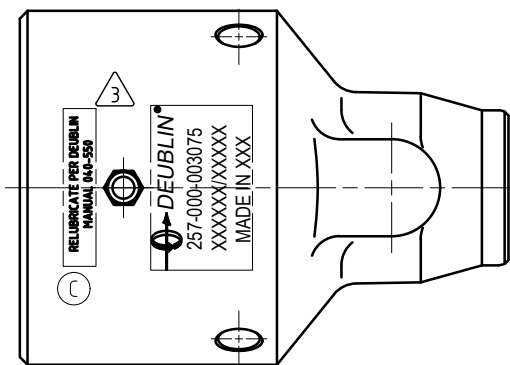
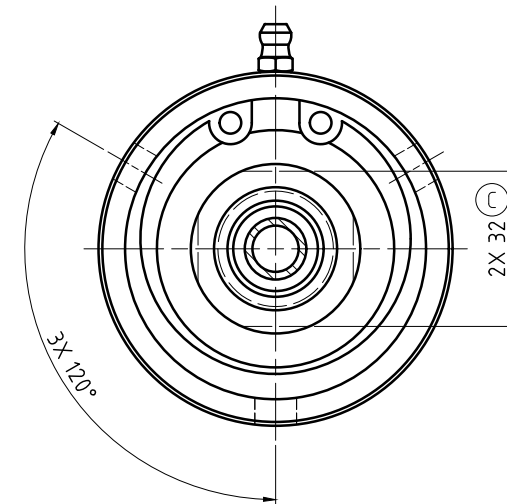
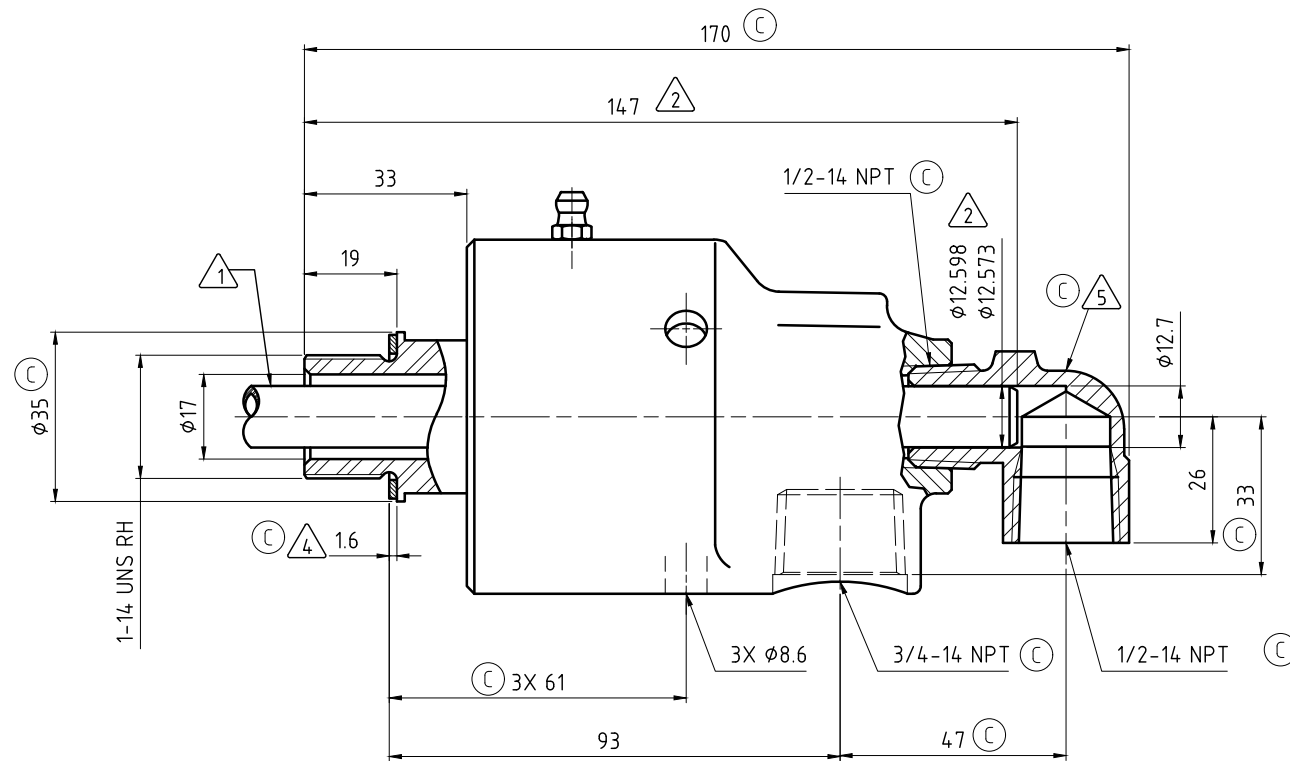
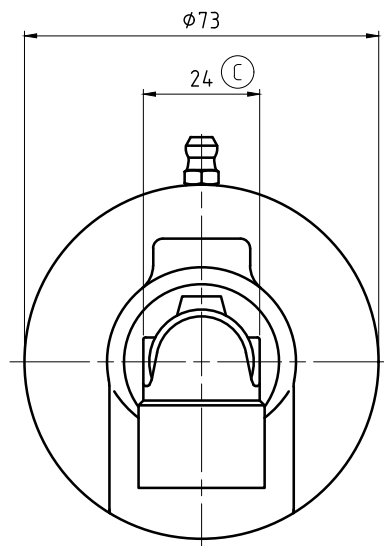


CONFIDENTIAL  
 THIS DOCUMENT CONTAINS CONFIDENTIAL AND PROPRIETARY  
 INFORMATION OF DEUBLIN COMPANY. COPYING, USE,  
 TRANSMISSION, DISTRIBUTION, AND DISCLOSURE ARE SUBJECT  
 TO THE TERMS AND CONDITIONS CONTAINED IN YOUR  
 AGREEMENT WITH DEUBLIN COMPANY. ALL RIGHTS RESERVED.

NOTES:

- ① - PIPE SUPPLIED BY CUSTOMER. PIPE SIZE: STAINLESS STEEL TUBE
- ② - PIPE LENGTH AND DIAMETER.
- ③ - CONTACT DEUBLIN OR VISIT WWW.DEUBLIN.COM  
FOR INSTRUCTION MANUAL: 040-550
- ④ - GASKET THICKNESS. (C)
- ⑤ - FITTING TO BE ASSEMBLED HAND-TIGHT, OR MAY BE SHIPPED UNASSEMBLED. (C)



| OPERATING DATA (C)          |                        |                                |             |
|-----------------------------|------------------------|--------------------------------|-------------|
| MEDIA                       | WATER                  | SATURATED STEAM (INTERMITTENT) | THERMAL OIL |
| PRESSURE MAX.               | 50 bar                 | 1 bar                          | 6.6 bar     |
| SPEED MAX.                  | 3500 min <sup>-1</sup> |                                |             |
| TEMPERATURE MAX.            | 121 °C                 |                                |             |
| DRY RUN (WITHOUT ANY MEDIA) | NO                     |                                |             |
| RECOMMENDED FILTRATION      | 60 micron              |                                |             |

|                                                                         |        |                |                    |
|-------------------------------------------------------------------------|--------|----------------|--------------------|
|                                                                         |        | PROJECTION:    | SCALE: 1:1         |
|                                                                         |        | DATE: 03/29/11 | NAME: N. Reyna     |
|                                                                         |        | ENGR: 03/29/11 | T. Wilson          |
|                                                                         |        | APPD:          |                    |
| TITLE: DEUBLIN UNION                                                    |        |                | NO. 257-000-003075 |
| C                                                                       | SEE CD | 058093         | 11/20              |
| B                                                                       | SEE CD | 054634         | 02/27              |
| ISSUE/MODIFICATION                                                      | ECO    | DATE           | SIGN               |
| UNLESS SPECIFICALLY TOLERANCED, ALL DIMENSIONS ARE CONSIDERED REFERENCE |        |                | SHEET A2           |