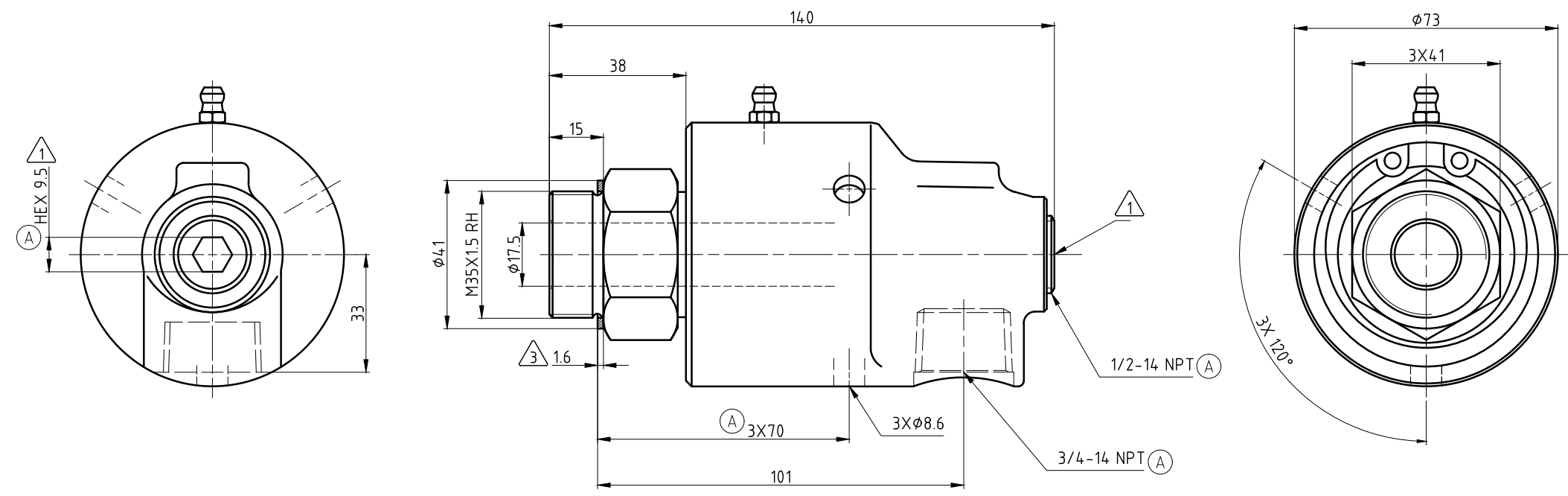
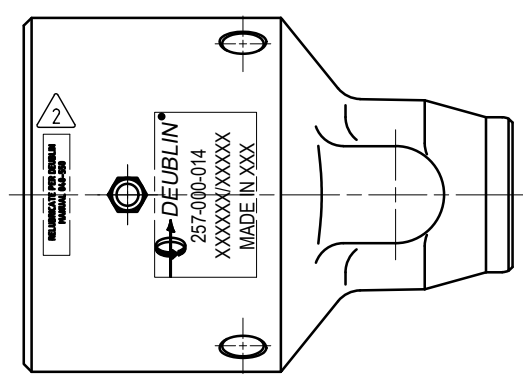


CONFIDENTIAL
 The reproduction, distribution and utilization of this document as well as the communication of its contents to others without express authorization is prohibited. Offenders will be held liable for the payment of damages. All rights reserved in the event of the grant of a patent, utility model or design.

- NOTES:**
- ① - PLUG INSTALLED HAND TIGHT FROM FACTORY. IF PORT IS NOT UTILIZED, TIGHTEN BEFORE USE.
 - ② - CONTACT DEUBLIN OR VISIT WWW.DEUBLIN.COM FOR INSTRUCTION MANUAL: 040-550
 - ③ - GASKET THICKNESS.



OPERATING DATA			
MEDIA	WATER	SATURATED STEAM (INTERMITTENT)	THERMAL OIL
PRESSURE MAX.	50 bar	1 bar	6.6 bar
SPEED MAX.	3500 min ⁻¹		
TEMPERATURE MAX.	121 °C (A)		
DRY RUN (WITHOUT ANY MEDIA)	NO		
(A) RECOMMENDED FILTRATION	60 micron		



		PROJECTION:	SCALE: 1:1
			MATERIAL: INTERFACE CUSTOMER DRAWING
		DATE: 05/16/20	TITLE: DEUBLIN UNION
		NAME: TG	
		ENGR. 05/16/20	
		APPD. RMika	
		NO. 257-000-014	SHEET A2
A	SEC0	604.32	03/21
ISSUE/MODIFICATION	ECO	DATE	SYN

UNLESS SPECIFICALLY TOLERANCED, ALL DIMENSIONS ARE CONSIDERED REFERENCE