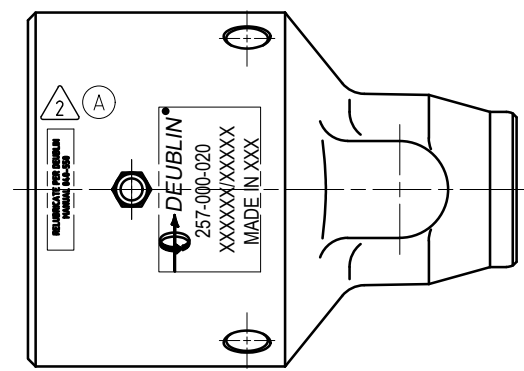
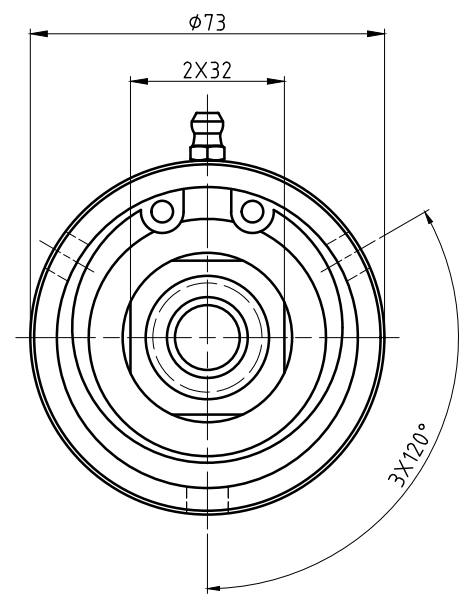
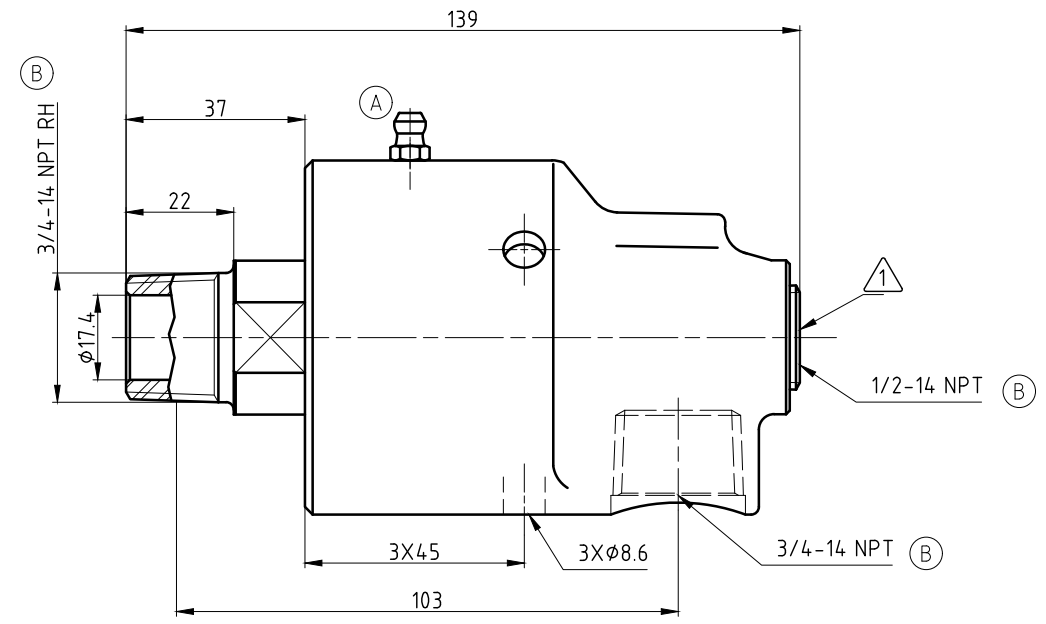
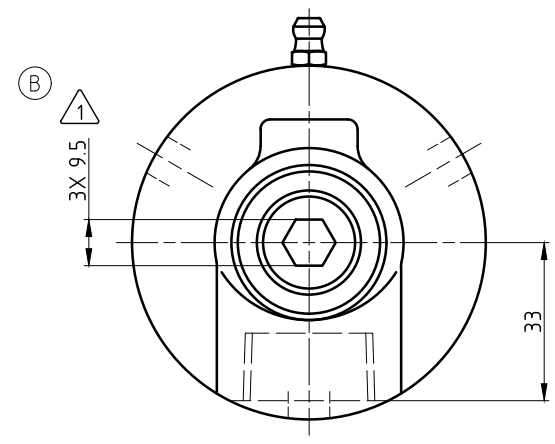


**CONFIDENTIAL**  
 The reproduction, distribution and utilization of this document as well as the communication of its contents to others without express authorization is prohibited. Offenders will be held liable for the payment of damages. All rights reserved in the event of the grant of a patent, utility model or design.

- NOTES:**
- ① - PLUG INSTALLED HAND TIGHT FROM FACTORY. IF PORT IS NOT UTILIZED, TIGHTEN BEFORE USE.
  - ② - CONTACT DEUBLIN OR VISIT [WWW.DEUBLIN.COM](http://WWW.DEUBLIN.COM) FOR INSTRUCTION MANUAL: 040-550



①

OPERATING DATA			
MEDIA	WATER	SATURATED STEAM (INTERMITTENT)	THERMAL OIL
PRESSURE MAX.	50 bar	1 bar	6.6 bar
SPEED MAX.	1500 min <sup>-1</sup>		
TEMPERATURE MAX.	121 °C		
DRY RUN (WITHOUT ANY MEDIA)	NO		
RECOMMENDED FILTRATION	60 micron		

②

		PROJECTION:		SCALE: 1:1
		MATERIAL:		INTERFACE CUSTOMER DRAWING
		DATE	NAME	TITLE:
		DRN. 11/08/05	LG	DEUBLIN UNION
		ENGR.		
		APPD.		
B	SEE CD	60724	06/21	MZe
A	SEE CD	057138	17/09	TG
ISSUE MODIFICATION		ECO	DATE	SIGN
UNLESS SPECIFICALLY TOLERANCED, ALL DIMENSIONS ARE CONSIDERED REFERENCE				NO. 257-000-020
				SHEET A2