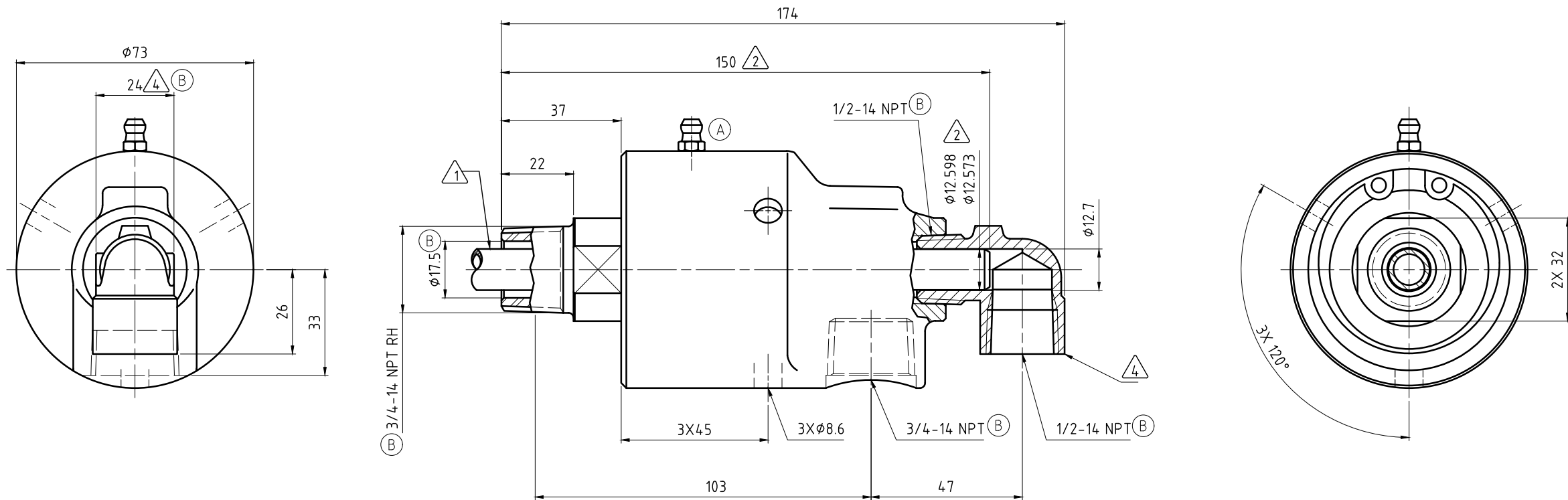


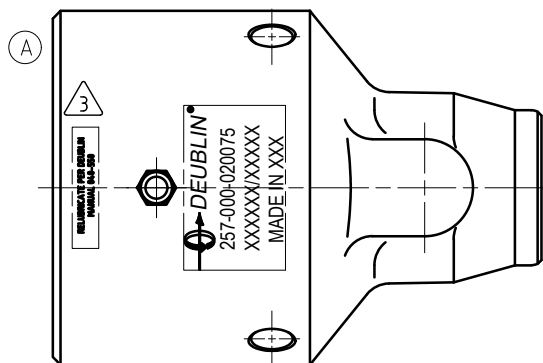
CONFIDENTIAL  
 THIS DOCUMENT CONTAINS CONFIDENTIAL AND PROPRIETARY INFORMATION OF DEUBLIN COMPANY. COPYING, USE, TRANSMISSION, DISTRIBUTION, AND DISCLOSURE ARE SUBJECT TO THE TERMS AND CONDITIONS CONTAINED IN YOUR AGREEMENT WITH DEUBLIN COMPANY. ALL RIGHTS RESERVED.

NOTES:

- ① - PIPE SUPPLIED BY CUSTOMER. PIPE SIZE: 1/4" (B)
- ② - PIPE LENGTH AND DIAMETER.
- ③ - CONTACT DEUBLIN OR VISIT WWW.DEUBLIN.COM FOR INSTRUCTION MANUAL: 040-550
- ④ - FITTING TO BE ASSEMBLED HAND-TIGHT, OR MAY BE SHIPPED UNASSEMBLED. (B)



OPERATING DATA			
MEDIA	WATER	SATURATED STEAM (INTERMITTENT)	THERMAL OIL
PRESSURE MAX.	50 bar	1 bar	6.6 bar
SPEED MAX.	③ 1500 min <sup>-1</sup>		
TEMPERATURE MAX.	③ 121 °C		
DRY RUN (WITHOUT ANY MEDIA)	NO		
RECOMMENDED FILTRATION	60 micron		



		PROJECTION:	SCALE: 1:1
			MATERIAL: INTERFACE CONTROL DRAWING
		DATE	NAME
		DRN. 09/22/06	N. Reyna
		ENGR. 09/22/06	T. Wilson
		APPD.	
		TITLE: DEUBLIN UNION	
		NO. 257-000-020075	
		SHEET A2	
B	SEE CD	60342	03/21
A	SEE CD	055612	05/16
ISSUE/MODIFICATION		ECO	DATE
		DATE	SIGN
UNLESS SPECIFICALLY TOLERANCED, ALL DIMENSIONS ARE CONSIDERED REFERENCE			