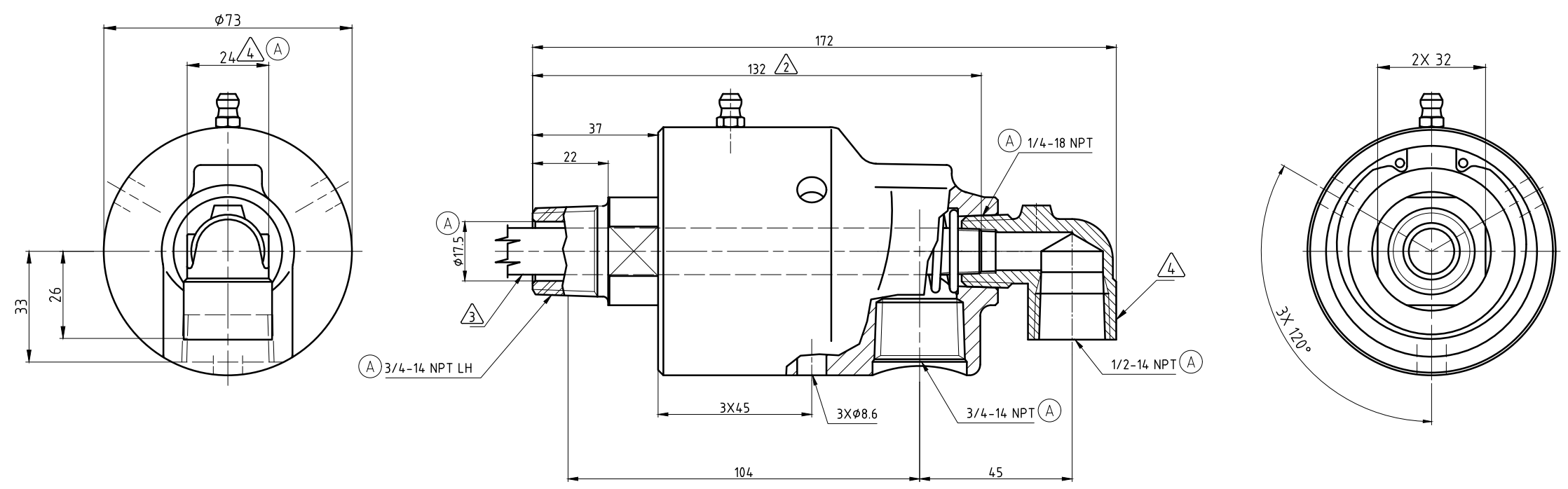
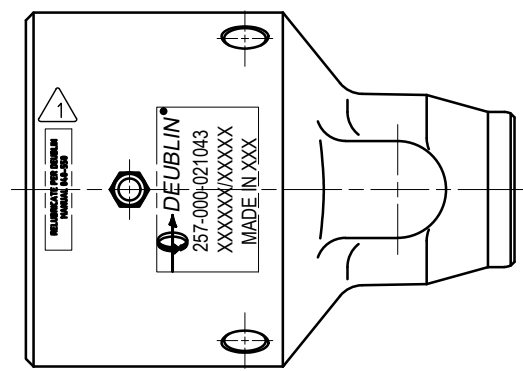


CONFIDENTIAL
 The reproduction, distribution and utilization of this document as well as the communication of its contents to others without express authorization is prohibited. Offenders will be held liable for the payment of damages. All rights reserved in the event of the grant of a patent, utility model or design.

- NOTES:**
- ① - CONTACT DEUBLIN OR VISIT WWW.DEUBLIN.COM FOR INSTRUCTION MANUAL: 040-550
 - ② - PIPE LENGTH.
 - ③ - PIPE SUPPLIED BY CUSTOMER. PIPE SIZE: 1/4"
 - ④ - FITTING TO BE ASSEMBLED HAND-TIGHT, OR MAY BE SHIPPED UNASSEMBLED. (A)



OPERATING DATA			
MEDIA	WATER	SATURATED STEAM (INTERMITTENT)	THERMAL OIL
PRESSURE MAX.	50 bar	1 bar	6.6 bar
SPEED MAX.	1500 min ⁻¹		
TEMPERATURE MAX.	(A) 121 °C		
DRY RUN (WITHOUT ANY MEDIA)	NO		
RECOMMENDED FILTRATION	60 micron		



		PROJECTION:	SCALE: 1:1
		DATE: 05/16/20	MATERIAL: INTERFACE CONTROL DRAWING
		NAME: TG	TITLE: DEUBLIN UNION
		ENGR. RMika	
		APPD.	
		NO. 257-000-021043	SHEET A2
B	SEC 00	60342	03/21
ISSUE/MODIFICATION	ECO	DATE	DIY SIGN

UNLESS SPECIFICALLY TOLERANCED, ALL DIMENSIONS ARE CONSIDERED REFERENCE