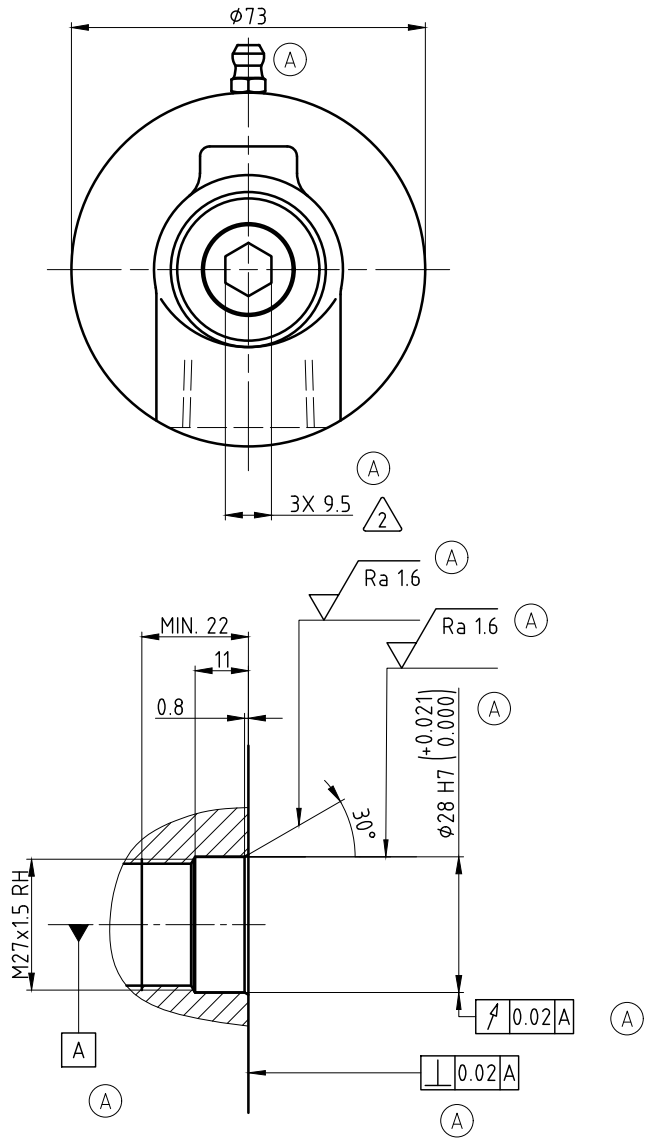


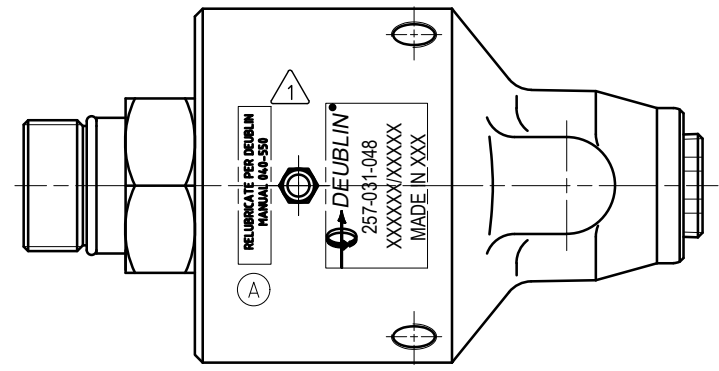
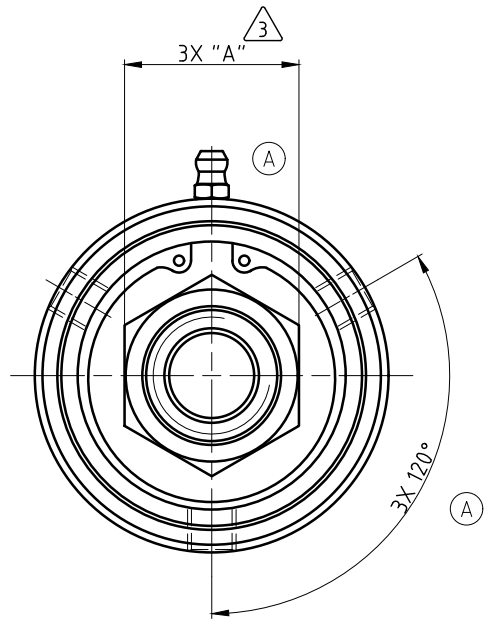
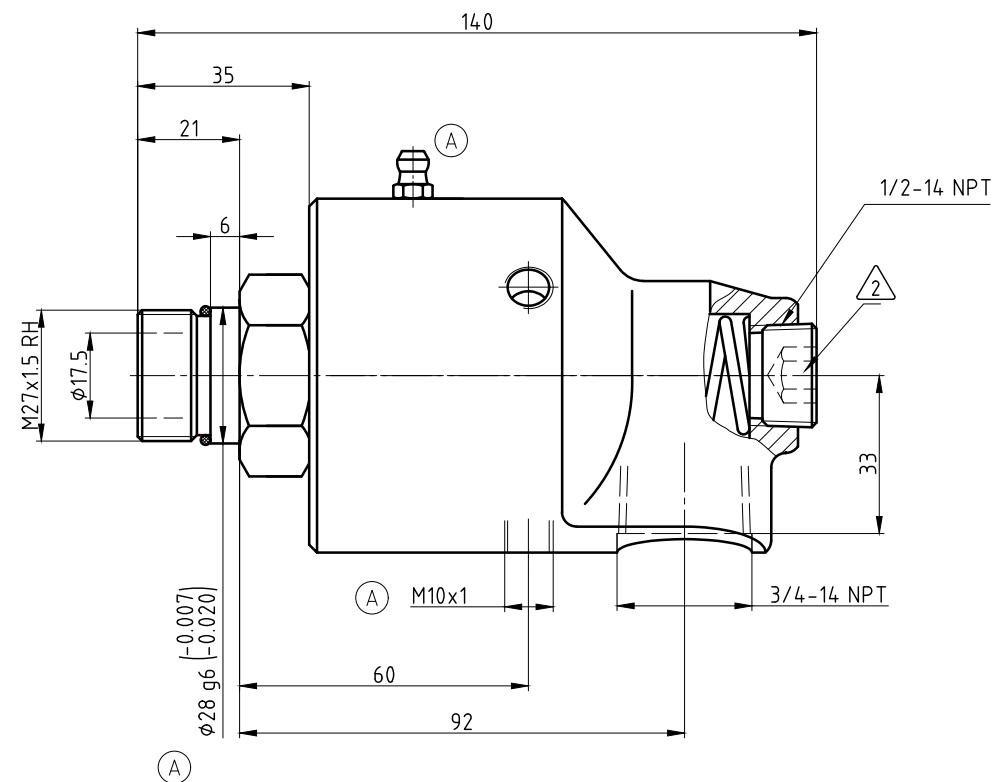
CONFIDENTIAL
 The reproduction, distribution and utilization of this document as well as the communication of its contents to others without express authorization is prohibited. Offenders will be held liable for the payment of damages. All rights reserved in the event of the grant of a patent, utility model or design.

NOTES:

- 1 - CONTACT DEUBLIN OR VISIT WWW.DEUBLIN.COM FOR INSTRUCTION MANUAL: 040-550
- 2 - PLUG INSTALLED HAND TIGHT FROM FACTORY. IF PORT IS NOT UTILIZED, TIGHTEN BEFORE USE.
- 3 - DEPENDING ON COUNTRY OF ORIGIN, HEX STOCK MAY VARY AS NOTED. SEE TABLE FOR ACCEPTABLE WRENCH SIZES.



CUSTOMER INTERFACE



OPERATING DATA			
MEDIA	WATER	SATURATED STEAM (INTERMITTENT)	THERMAL OIL
PRESSURE MAX.	50 bar	1 bar	6.6 bar
SPEED MAX.	3500 min ⁻¹		
TEMPERATURE MAX.	121 °C		
DRY RUN (WITHOUT ANY MEDIA)	NO		
RECOMMENDED FILTRATION	60 micron		

HEX SIZES	WRENCHES	
	UNITS	"A"
METRIC [mm]	36-0.13	✓ <input type="checkbox"/>
IMPERIAL [in]	1.438-0.006	✓ <input checked="" type="checkbox"/>



PROJECTION:	SCALE: 1:1
MATERIAL:	INTERFACE CONTROL DRAWING
TITLE:	DEUBLIN ROTATING UNION DEUBLIN Drehdurchführung
NO.:	257-031-048
SHEET:	A2

DATE	NAME
08.07.2021	MZe
08.07.2021	RMika
DATE	SIGN
07/21	MZe
DATE	SIGN
07/21	MZe

UNLESS SPECIFICALLY TOLERANCED, ALL DIMENSIONS ARE CONSIDERED REFERENCE