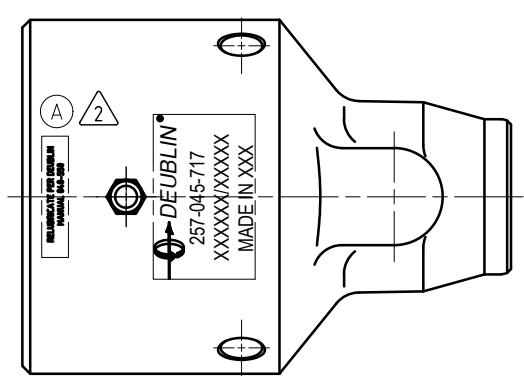
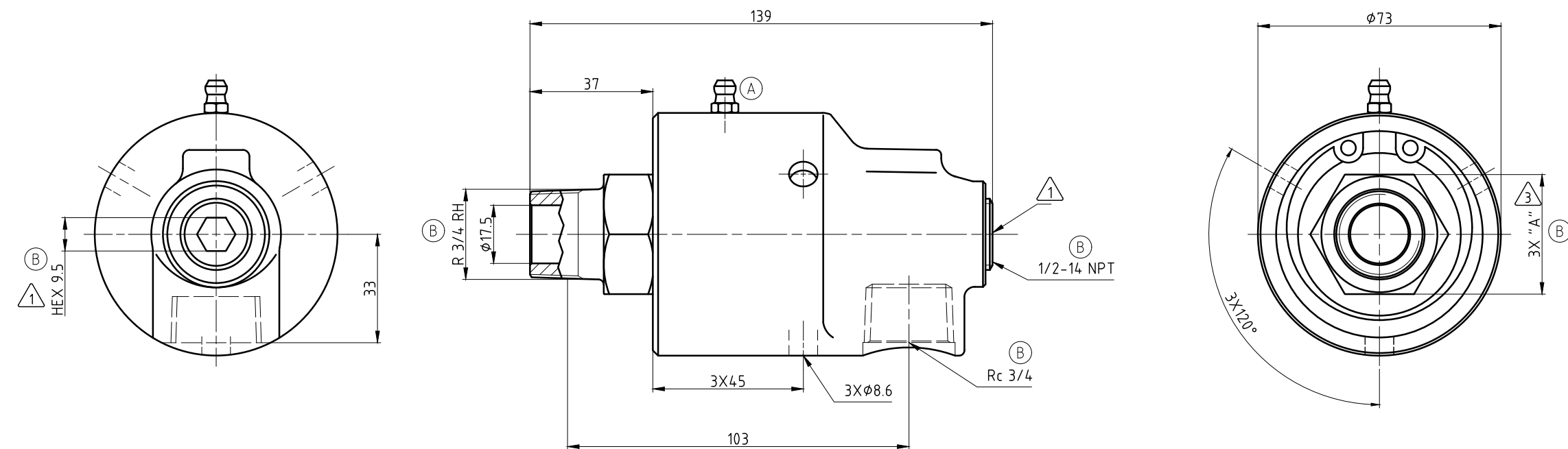


CONFIDENTIAL
 The reproduction, distribution and utilization of this document as well as the communication of its contents to others without express authorization is prohibited. Offenders will be held liable for the payment of damages. All rights reserved in the event of the grant of a patent, utility model or design.

- NOTES:**
- ① - PLUG INSTALLED HAND TIGHT FROM FACTORY. IF PORT IS NOT UTILIZED, TIGHTEN BEFORE USE.
 - ② - CONTACT DEUBLIN OR VISIT WWW.DEUBLIN.COM FOR INSTRUCTION MANUAL: 040-550
 - ③ - DEPENDING ON COUNTRY OF ORIGIN, HEX STOCK MAY VARY AS NOTED. SEE TABLE FOR ACCEPTABLE WRENCH SIZES.



OPERATING DATA			
MEDIA	WATER	SATURATED STEAM (INTERMITTENT)	THERMAL OIL
PRESSURE MAX.	50 bar	1 bar	6.6 bar
SPEED MAX.	1500 min ⁻¹		
TEMPERATURE MAX.	121 °C		
DRY RUN (WITHOUT ANY MEDIA)	NO		
RECOMMENDED FILTRATION	60 micron		

③	HEX SIZES		WRENCHES	
	UNITS	"A"	36mm	1 7/16
	METRIC [mm]	36-0.13	✓	☒
	IMPERIAL [in]	1.438-0.006	✓	✓

PROJECTION:

SCALE: 1:1

MATERIAL: INTERFACE CUSTOMER DRAWING

TITLE: DEUBLIN UNION

NO. 257-045-717

SHEET A2

DRN.	08/05/05	DATE	LG
ENGR.		NAME	
APPD.			

B	SEE ECD	60372	03/21	MSK
A	SEE ECD	055612	05/20	TG
ISSUE	MODIFICATION	ECO	DATE	SIGN

UNLESS SPECIFICALLY TOLERANCED, ALL DIMENSIONS ARE CONSIDERED REFERENCE