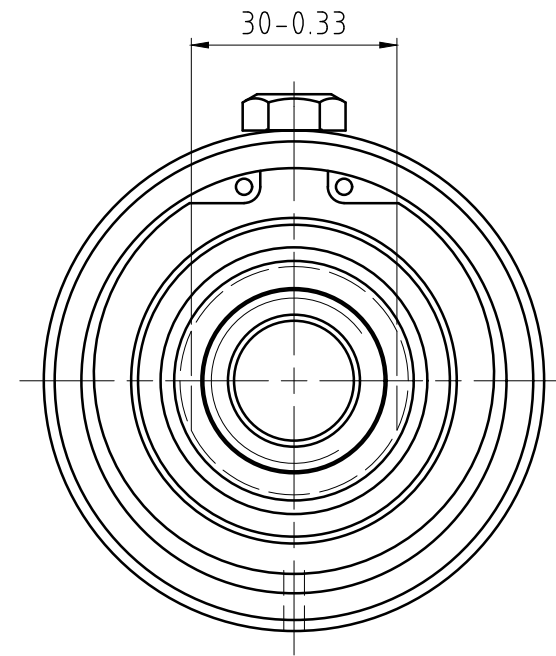
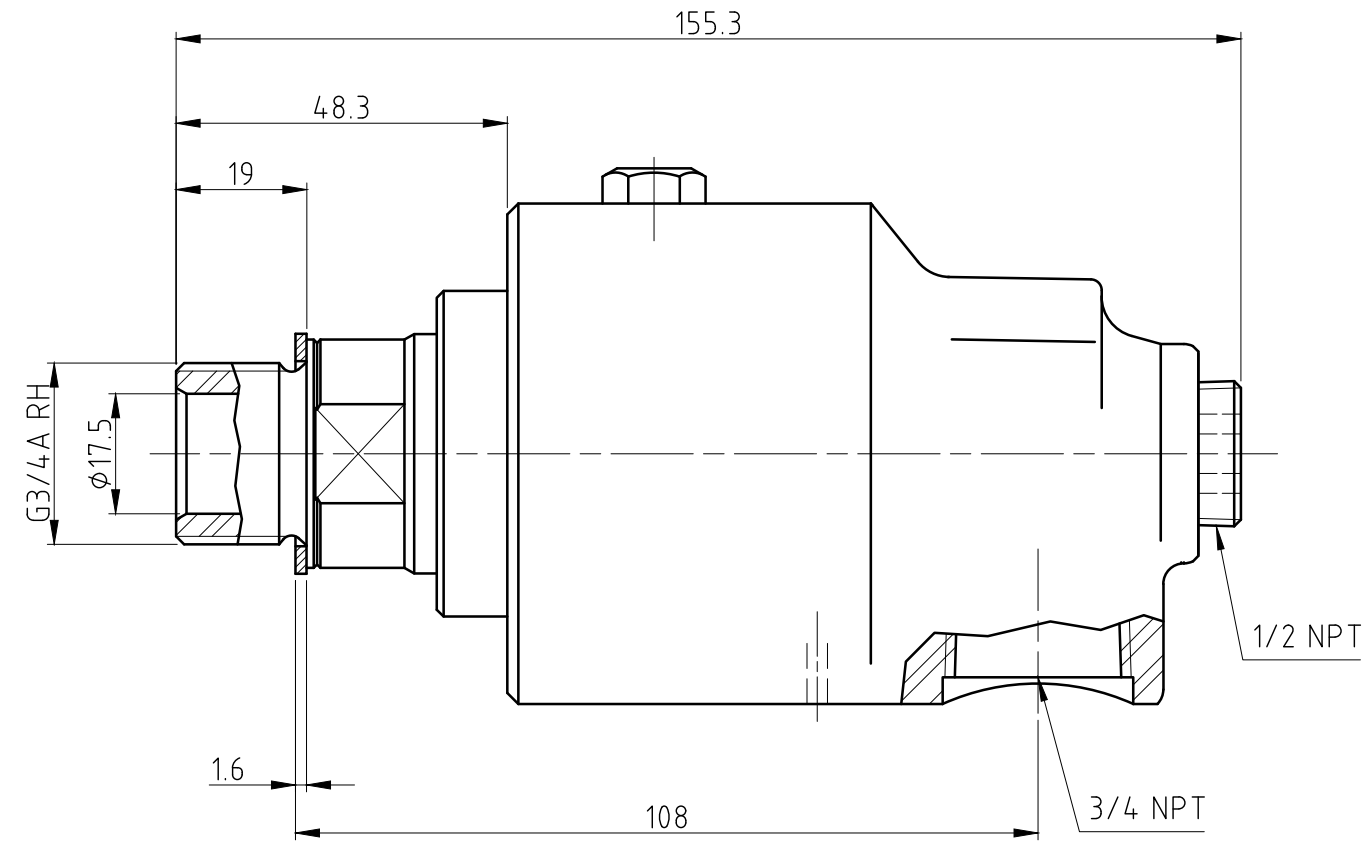
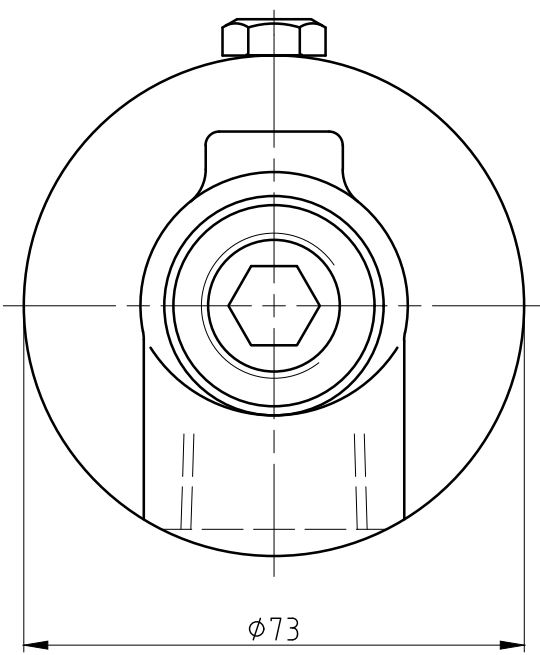


CONFIDENTIAL  
 THIS DOCUMENT CONTAINS CONFIDENTIAL AND PROPRIETARY  
 INFORMATION OF DEUBLIN COMPANY. COPYING, USE,  
 TRANSMISSION, DISTRIBUTION AND DISCLOSURE ARE SUBJECT  
 TO THE TERMS AND CONDITIONS CONTAINED IN YOUR  
 AGREEMENT WITH DEUBLIN COMPANY. ALL RIGHTS RESERVED.

NOTES:

- 1 - CONTACT DEUBLIN OR VISIT WWW.DEUBLIN.COM
- (A) FOR INSTRUCTION MANUAL: 040-550



OPERATING DATA	
MEDIA	WATER
MAX. PRESSURE	10 bar
MAX. SPEED	100 min <sup>-1</sup>
MAX. TEMPERATUR	120 °C
DRY RUN	NOT POSSIBLE

	PROJECTION:		SCALE: 1:1	
			MATERIAL: INTERFACE CONTROL DRAWING	
			TITLE: DEUBLIN UNION	
		DATE	NAME	
		DRN. 08/13/08	N. Reyna	
		ENGR. 08/13/08	S. Stasi	
		APPD.		
B	SEE ECO	017750	04/12	CR
A	SEE ECO	015256	09/11	CR
ISSUE	MODIFICATION	ECO	DATE	SIGN
UNLESS SPECIFICALLY TOLERANCED, ALL DIMENSIONS ARE CONSIDERED REFERENCE				NO. 257-049-124
				SHEET