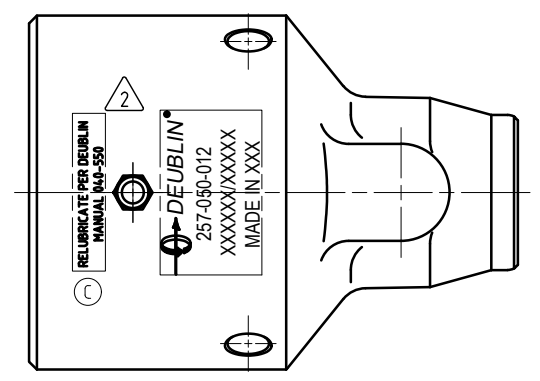
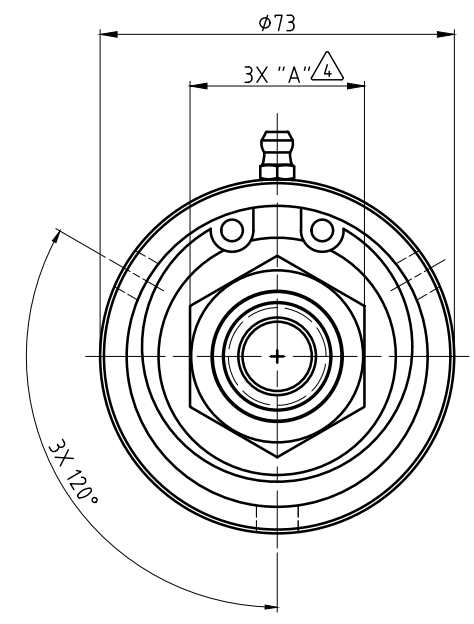
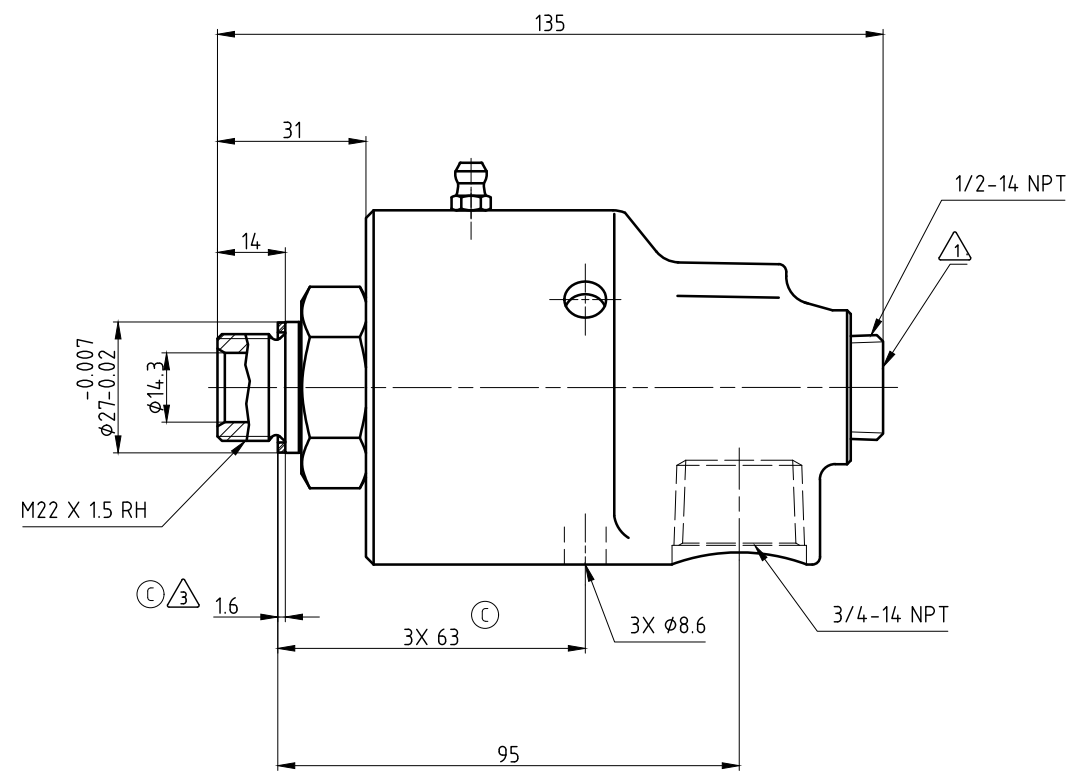
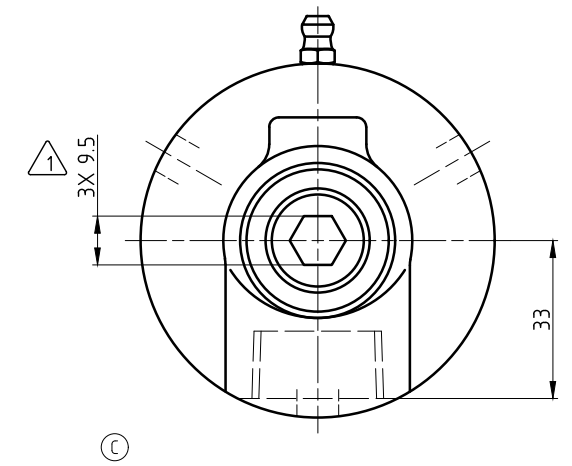


- NOTES:
- ① - PLUG INSTALLED HAND TIGHT FROM FACTORY. IF PORT IS NOT UTILIZED, TIGHTEN BEFORE USE.
  - ② - CONTACT DEUBLIN OR VISIT WWW.DEUBLIN.COM FOR INSTRUCTION MANUAL: 40-550
  - ③ - GASKET THICKNESS. (C)
  - ④ - DEPENDING ON COUNTRY OF ORIGIN, HEX STOCK MAY VARY AS NOTED. SEE TABLE (C) FOR ACCEPTABLE WRENCH SIZES.



④	HEX SIZES		WRENCHES	
	UNITS	"A"	36mm	7/16"
	METRIC [mm]	36-0.13	✓	☒
	IMPERIAL [in]	1.438-0.006	✓	✓

OPERATING DATA (C)		
MEDIA	WATER	THERMAL OIL
PRESSURE MAX.	50 bar	6.6 bar
SPEED MAX.	3500 min <sup>-1</sup>	
TEMPERATURE MAX.	93 °C	
DRY RUN (WITHOUT ANY MEDIA)	NO	
RECOMMENDED FILTRATION	60 micron	

		PROJECTION:	SCALE: 1:1				
			MATERIAL: INTERFACE CUSTOMER DRAWING				
		DATE: 06/24/08	TITLE: DEUBLIN UNION				
		NAME: NR					
		ENGR: 06/24/08					
		APPD. RMika					
C	SEE EO	058093	11/20	DY	UNLESS SPECIFICALLY TOLERANCED, ALL DIMENSIONS ARE CONSIDERED REFERENCE	NO. 257-050-012	SHEET A2
B	SEE EO	054634	03/05	TG			
ISSUE/MODIFICATION		ECO	DATE	SIGN			