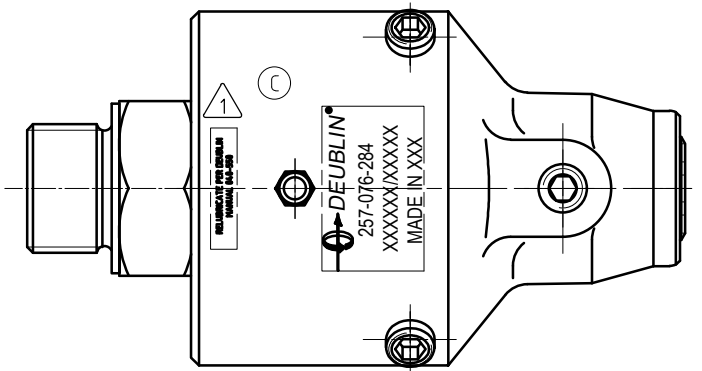
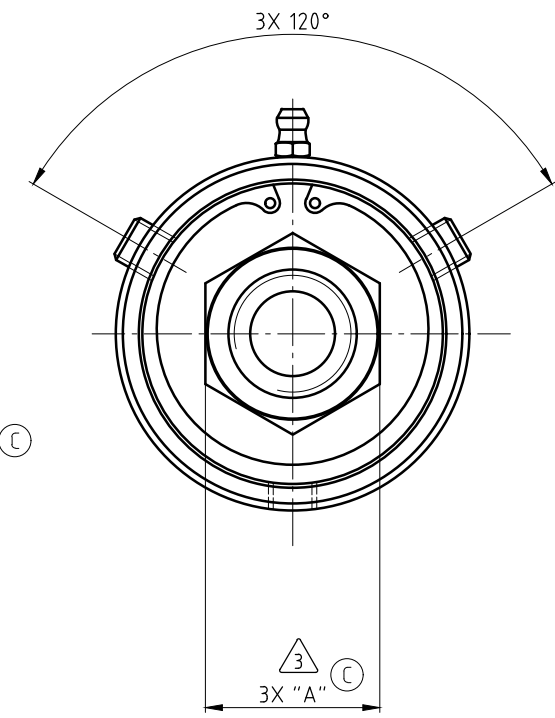
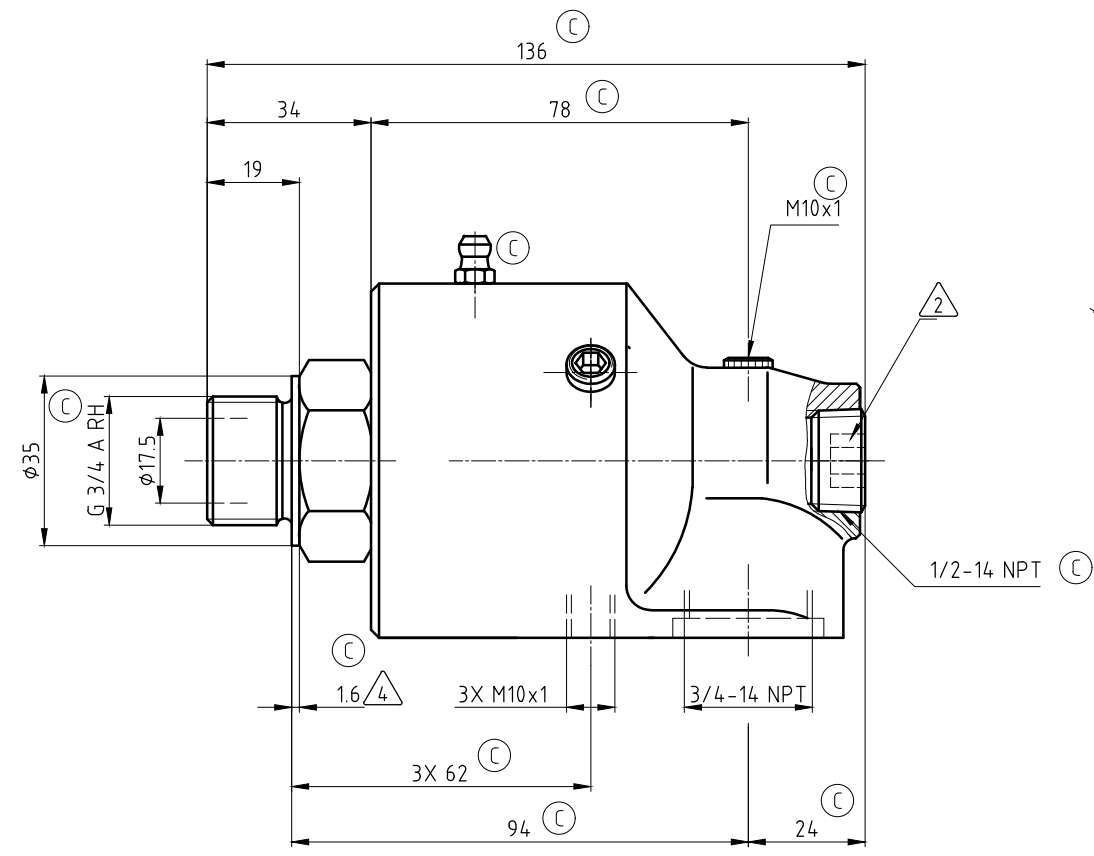
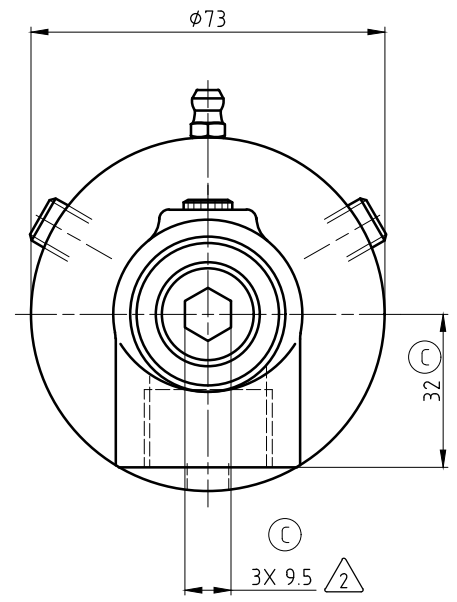


**CONFIDENTIAL**  
 The reproduction, distribution and utilization of this document as well as the communication of its contents to others without express authorization is prohibited. Offenders will be held liable for the payment of damages. All rights reserved in the event of the grant of a patent, utility model or design.

**NOTES:**

- ① - CONTACT DEUBLIN OR VISIT [WWW.DEUBLIN.COM](http://WWW.DEUBLIN.COM) FOR INSTRUCTION MANUAL: 040-550
- ② - PLUG INSTALLED HAND TIGHT FROM FACTORY. IF PORT IS NOT UTILIZED, TIGHTEN BEFORE USE.
- ③ - DEPENDING ON COUNTRY OF ORIGIN, HEX STOCK MAY VARY AS NOTED. SEE TABLE FOR ACCEPTABLE WRENCH SIZES.
- ④ - GASKET THICKNESS.



OPERATING DATA	
MEDIA	WATER
PRESSURE MAX.	10 bar
SPEED MAX.	3500 min <sup>-1</sup>
TEMPERATURE MAX.	90 °C
DRY RUN (WITHOUT ANY MEDIA)	NO
RECOMMENDED FILTRATION	60 micron

④	HEX SIZES		WRENCHES	
	UNITS	"A"	36mm	1 7/16"
METRIC [mm]	36-0.13	✓	☒	
IMPERIAL [in]	1.438-0.006	✓	✓	



DATE	NAME
DRN. 12.07.2021	MZe
ENGR. 12.07.2021	RMika
APPD.	

PROJECTION:	SCALE: 1:1
MATERIAL:	INTERFACE CONTROL DRAWING
TITLE:	DEUBLIN ROTATING UNION DEUBLIN Drehdurchführung
NO.	257-076-284

ISSUE/	MODIFICATION	ECO	DATE	07/21	MZe	SIGN
--------	--------------	-----	------	-------	-----	------

UNLESS SPECIFICALLY TOLERANCED, ALL DIMENSIONS ARE CONSIDERED REFERENCE

SHEET A2