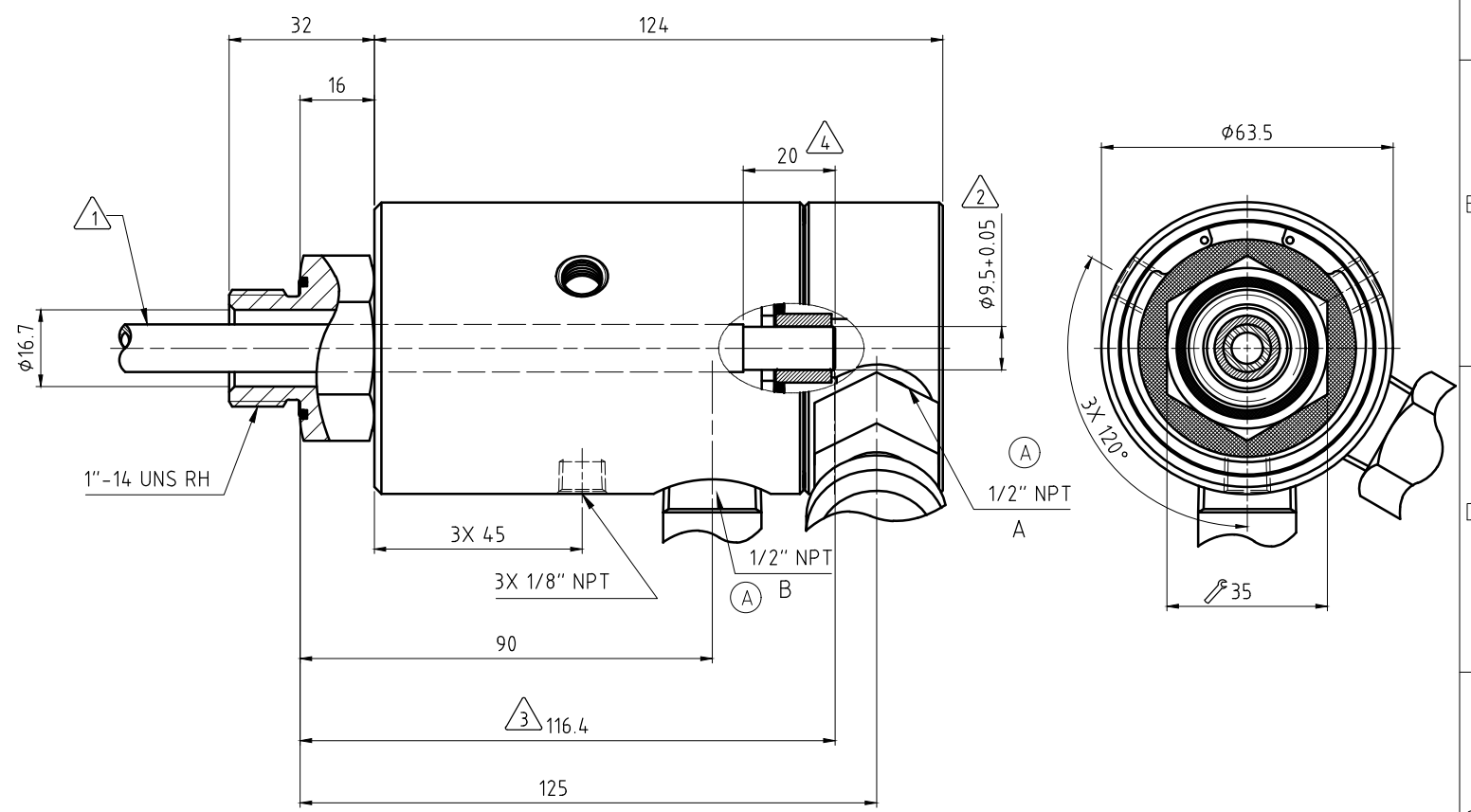
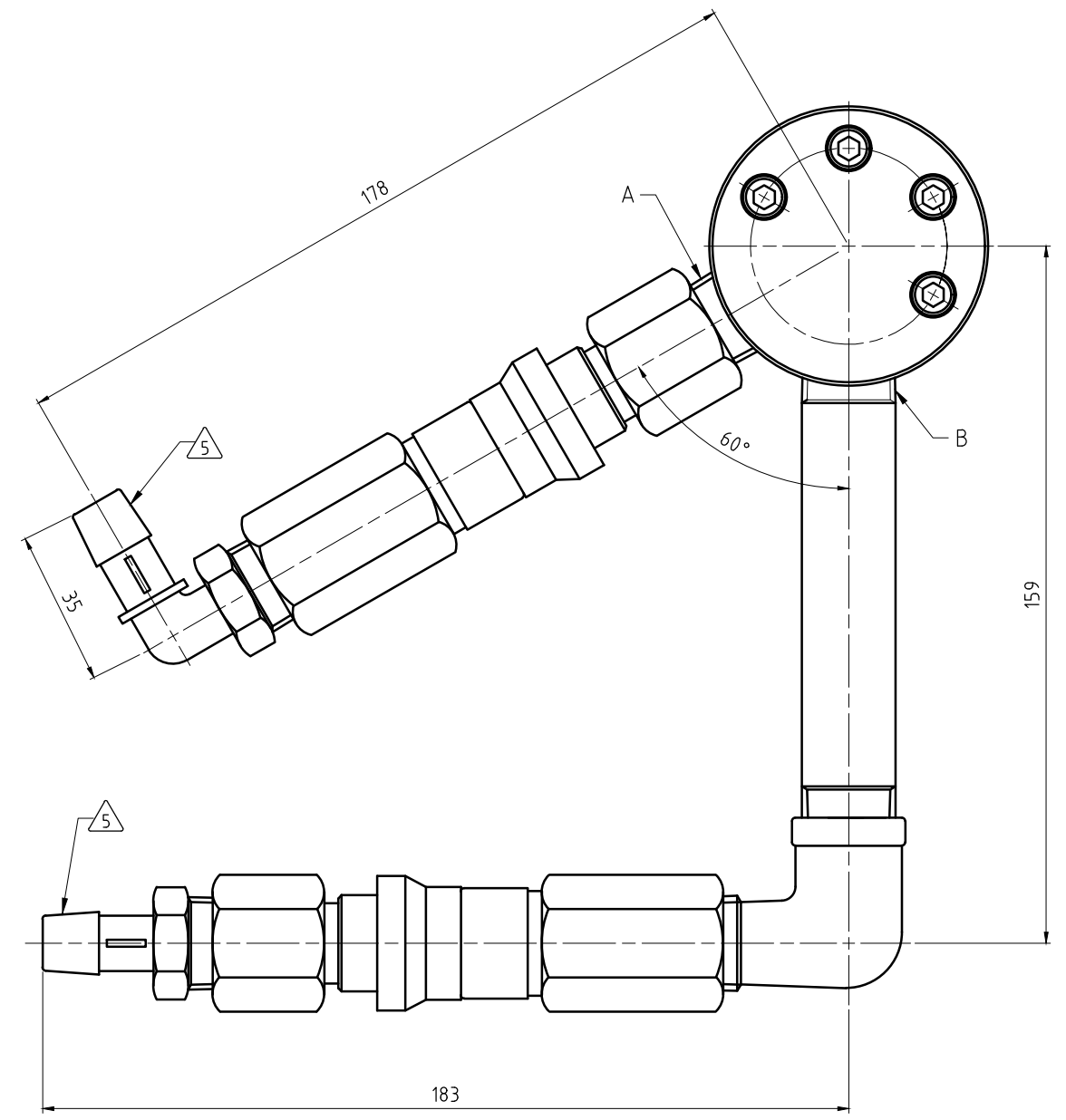


CONFIDENTIAL
 The reproduction, distribution and utilization of this document as well as the communication of its contents to others without express authorization is prohibited. Offenders will be held liable for the payment of damages. All rights reserved in the event of the grant of a patent, utility model or design.

- NOTES:
 1- SIPHON PIPE SUPPLIED BY CUSTOMER.
 2- INSIDE DIAMETER OF BUSHING.
 3- APPROXIMATE DIMENSION TO END OF SIPHON PIPE.
 4- LENGTH OF TURNED PORTION OF PIPE.
 5- HOSE FITTING, NYLON, 1/2" BARB



OPERATING DATA		
MEDIA	WATER	
MAX WATER PRESSURE	150 PSI	10 bar
MAX WATER TEMP.	200°F	93°C
MAX SPEED	3500 RPM	3500/min

		PROJECTION:	SCALE: 1:1
		DATE	MATERIAL: INTERFACE CONTROL DRAWING
		NAME	TITLE: DEUBLIN UNION
		DRN. 05/07/08 galindolm	
		ENGR.	
		APPD.	
		NO. 257-113-118	SHEET A2
A	SEEED	057352	08/20
	ISSUE	MODIFICATION	ECO DATE SIGN

UNLESS SPECIFICALLY TOLERANCED, ALL DIMENSIONS ARE CONSIDERED REFERENCE