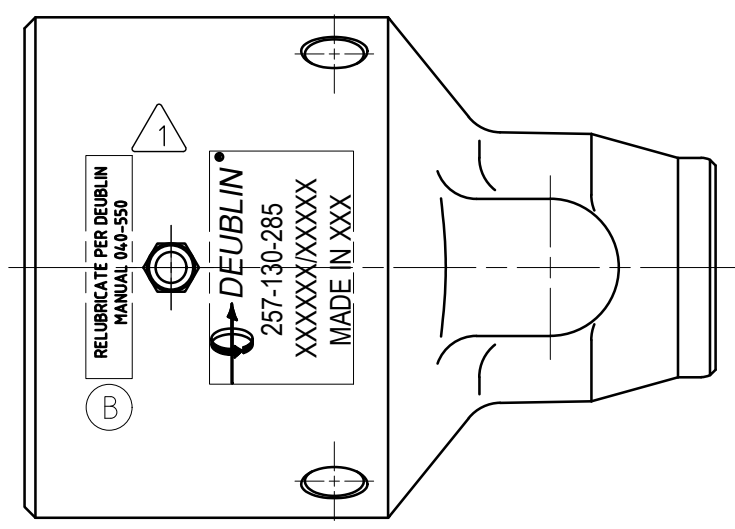
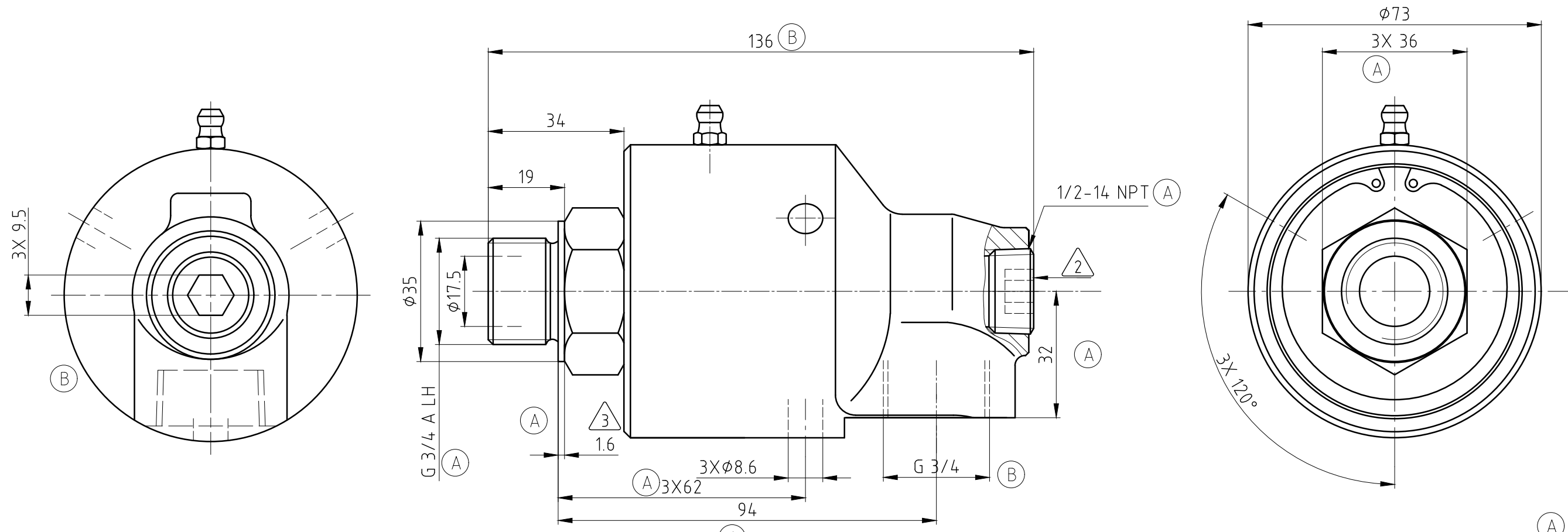


CONFIDENTIAL
 THIS DOCUMENT CONTAINS CONFIDENTIAL AND PROPRIETARY INFORMATION OF DEUBLIN COMPANY. COPYING, USE, TRANSMISSION, DISTRIBUTION, AND DISCLOSURE ARE SUBJECT TO THE TERMS AND CONDITIONS CONTAINED IN YOUR AGREEMENT WITH DEUBLIN COMPANY. ALL RIGHTS RESERVED.

NOTES:

- ① - CONTACT DEUBLIN OR VISIT WWW.DEUBLIN.COM FOR INSTRUCTION MANUAL: 040-550
- ② - PLUG INSTALLED HAND TIGHT FROM FACTORY. IF PORT IS NOT UTILIZED, TIGHTEN BEFORE USE.
- ③ - GASKET THICKNESS.
- ④ - DEPENDING ON COUNTRY OF ORIGIN, HEX STOCK MAY VARY AS NOTED. SEE TABLE FOR ACCEPTABLE WRENCH SIZES.



OPERATING DATA

MEDIA	WATER	SATURATED STEAM (INTERMITTENT)	THERMAL OIL
PRESSURE MAX.	50 bar	1 bar	6.6 bar
SPEED MAX.	3500 min ⁻¹		
TEMPERATURE MAX.	121 °C		
DRY RUN (WITHOUT ANY MEDIA)	NO		
RECOMMENDED FILTRATION	60 micron		

④	HEX SIZES		WRENCHES	
	UNITS	"A"	36mm	7/16"
	METRIC [mm]	36-0.13	✓	☒
	IMPERIAL [in]	1.438-0.006	✓	✓

PROJECTION:

SCALE: 1:1

MATERIAL: INTERFACE CONTROL DRAWING

		DATE	NAME	TITLE:
DRN.	03/06/20	TG	DEUBLIN ROTATING UNION DEUBLIN Drehdurchführung	
ENGR.	03/06/2020	RMika		
APPD.				
B	SEE ECO	058093	11/20	DY
A	CHANGE OPERATING DATA	057860	10/20	MSK
ISSUE/MODIFICATION	ECO	DATE	SIGN	UNLESS SPECIFICALLY TOLERANCED, ALL DIMENSIONS ARE CONSIDERED REFERENCE

NO. 257-130-285

SHEET A3