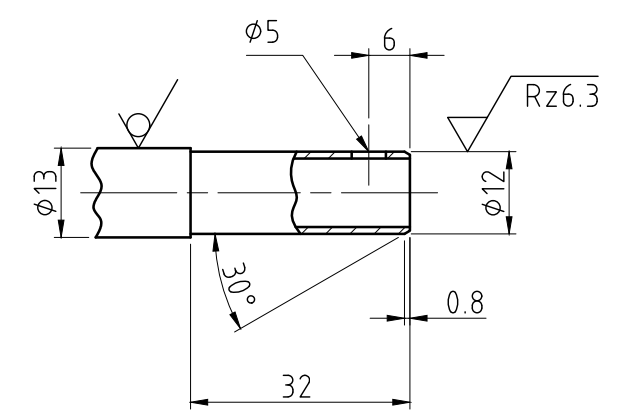
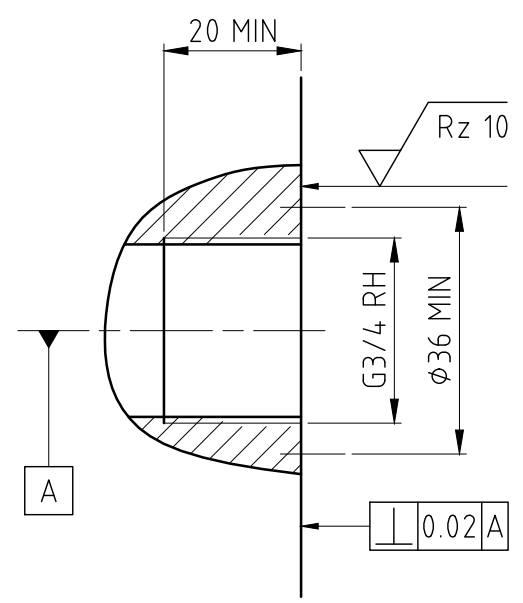
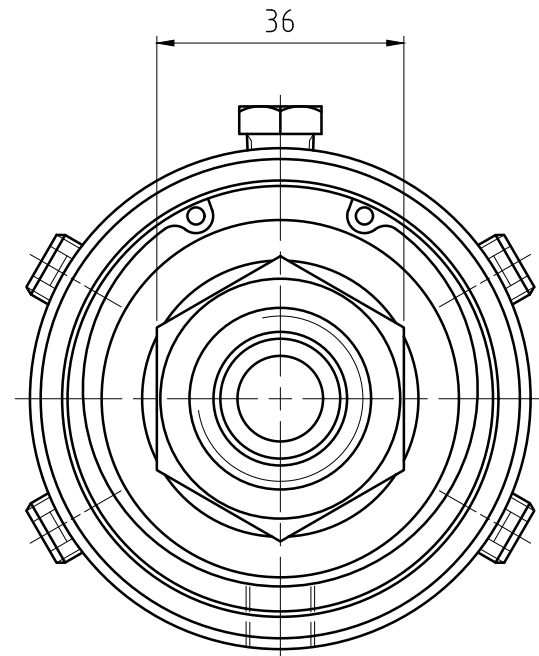
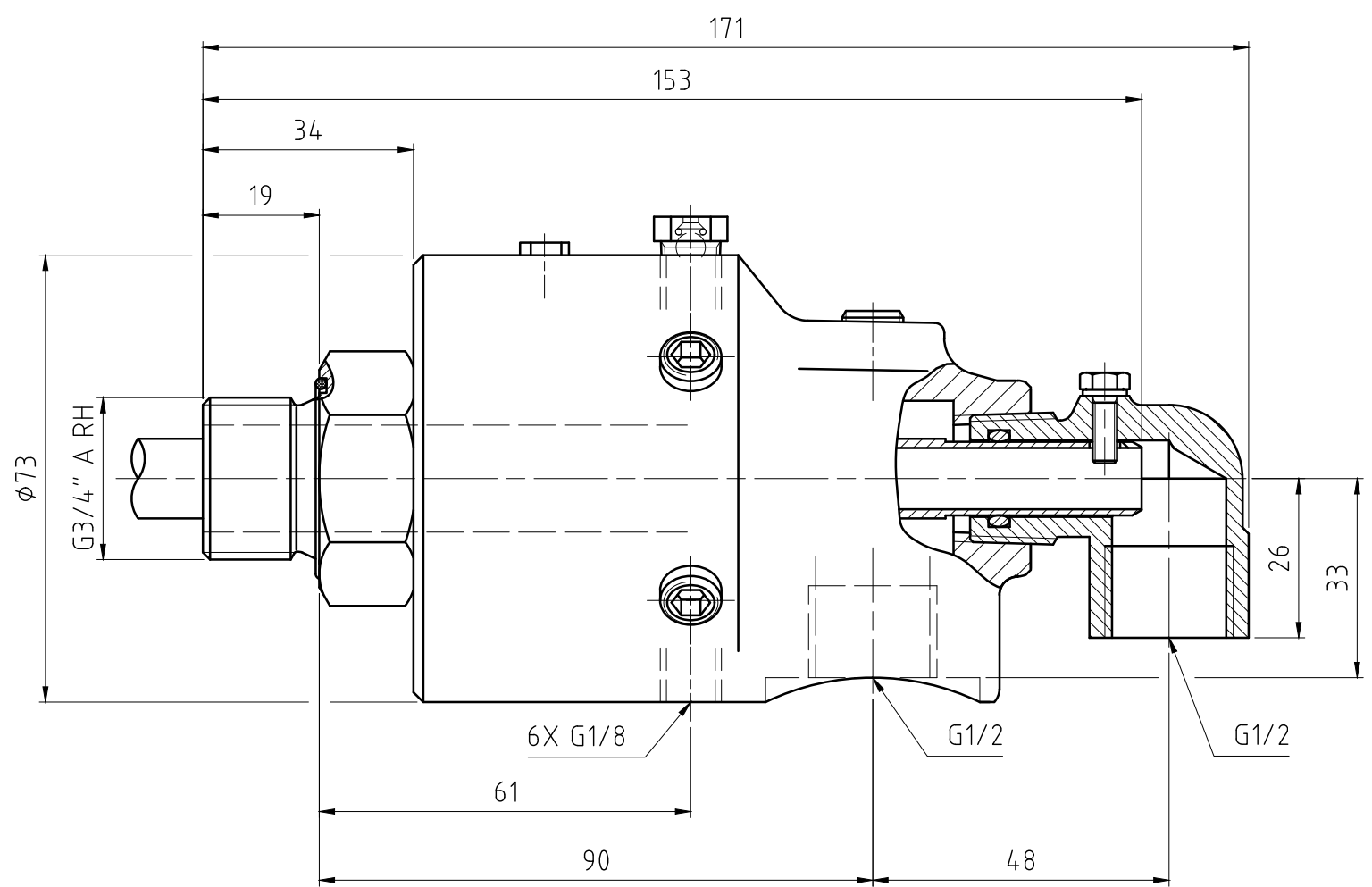
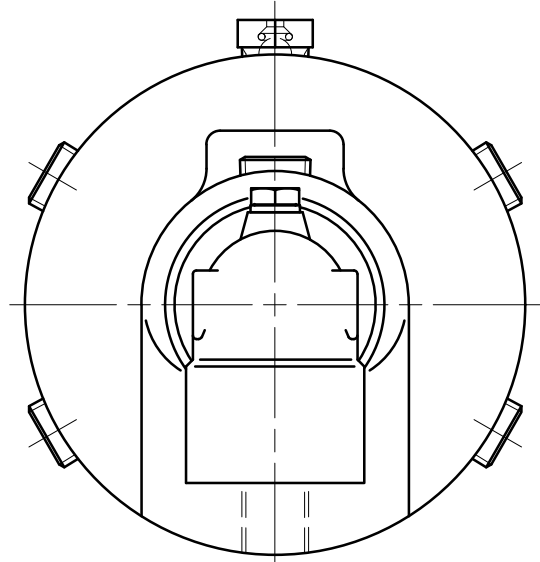


CONFIDENTIAL  
 THIS DOCUMENT CONTAINS CONFIDENTIAL AND PROPRIETARY  
 INFORMATION OF DEUBLIN COMPANY. COPYING, USE,  
 TRANSMISSION, DISTRIBUTION, AND DISCLOSURE ARE SUBJECT  
 TO THE TERMS AND CONDITIONS CONTAINED IN YOUR  
 AGREEMENT WITH DEUBLIN COMPANY. ALL RIGHTS RESERVED.



SIPHON TUBE (SUPPLIED BY CUSTOMER)

OPERATING DATA / Betriebsdaten		
MEDIA/Medium	Water	Wasser
Pressure Maximum	150 PSI	10 bar
Speed Maximum	3500 RPM	3500 1/min
Temperature Maximum	200 °F	90 °C
FILTRATION/Filterung	60 µm	60 µm
DRY RUN/Trockenlauf	72 h at 900 RPM	72 h bei 900 1/min

 WAUKEGAN, ILLINOIS, U.S.A.	PROJECTION:		SCALE: 1:1
	DATE		NAME
DRN. 08/26/09	N. Reyna	INTERFACE CONTROL DRAWING	
ENGR. 08/26/09	T. Wilson	DEUBLIN UNION	
APPD.		NO.	257-836-547372
UNLESS SPECIFICALLY TOLERANCED, ALL DIMENSIONS ARE CONSIDERED REFERENCE		SHEET	
ISSUE	MODIFICATION	ECO	DATE
			SIGN

CUSTOMER'S SPINDELE END