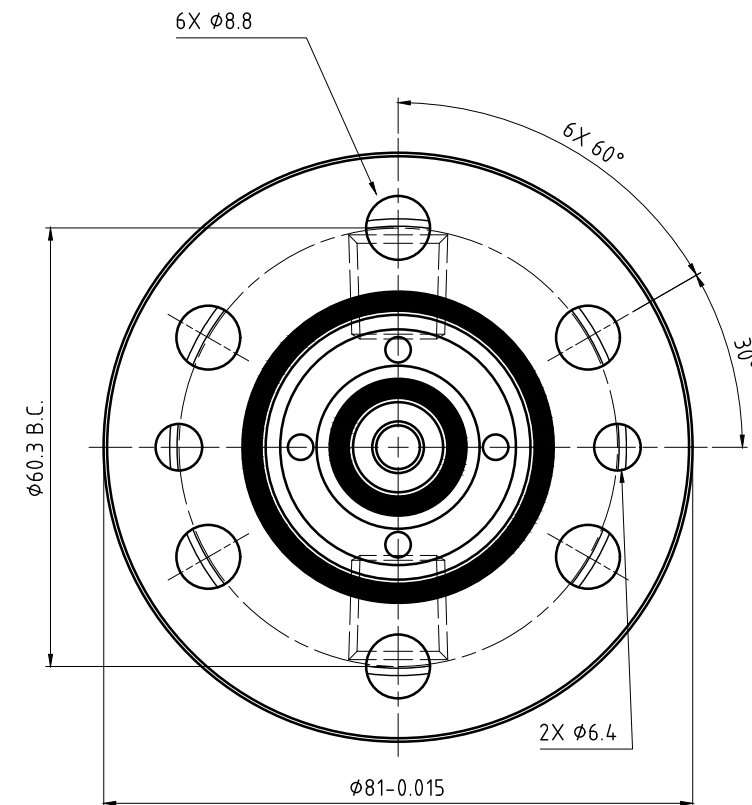
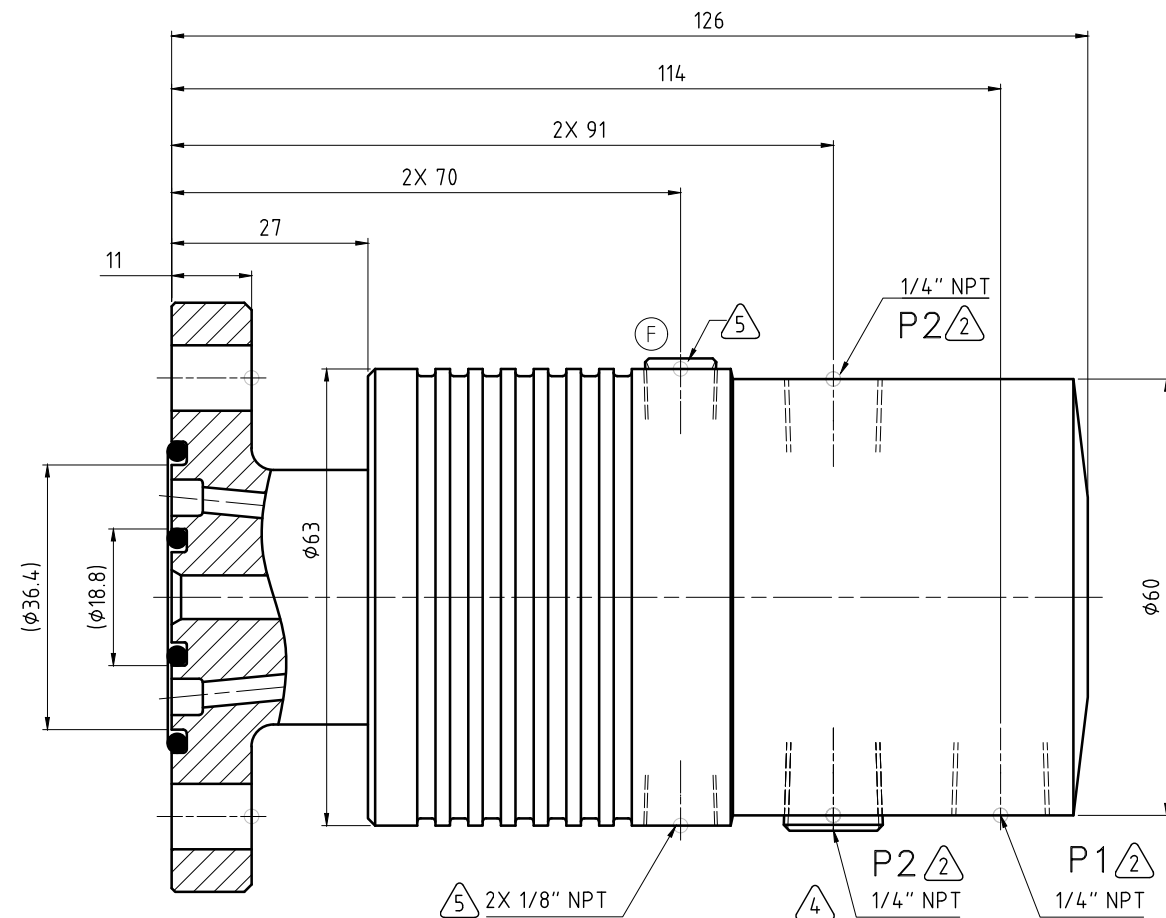


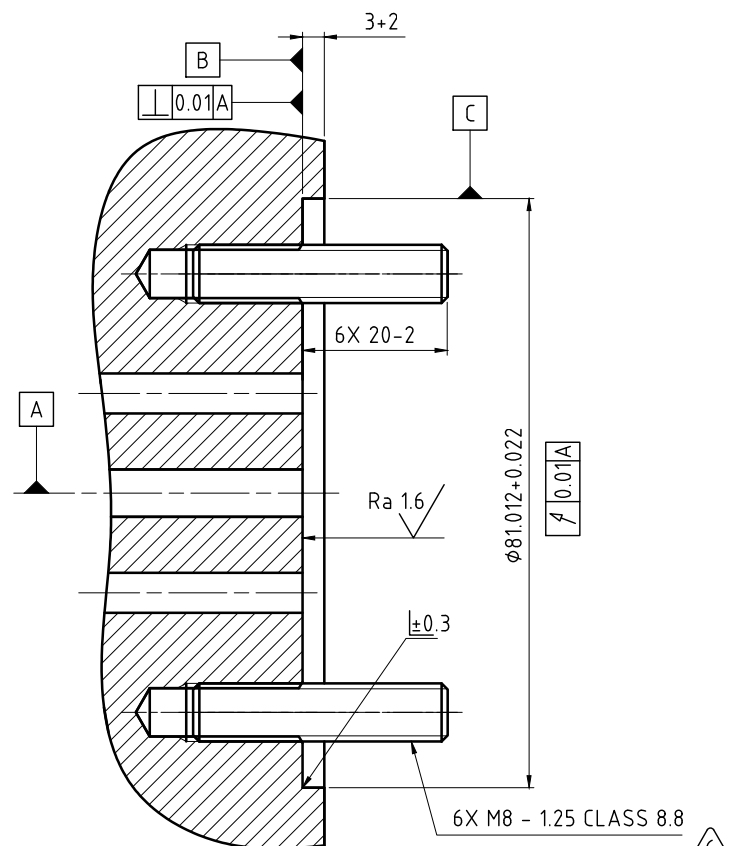
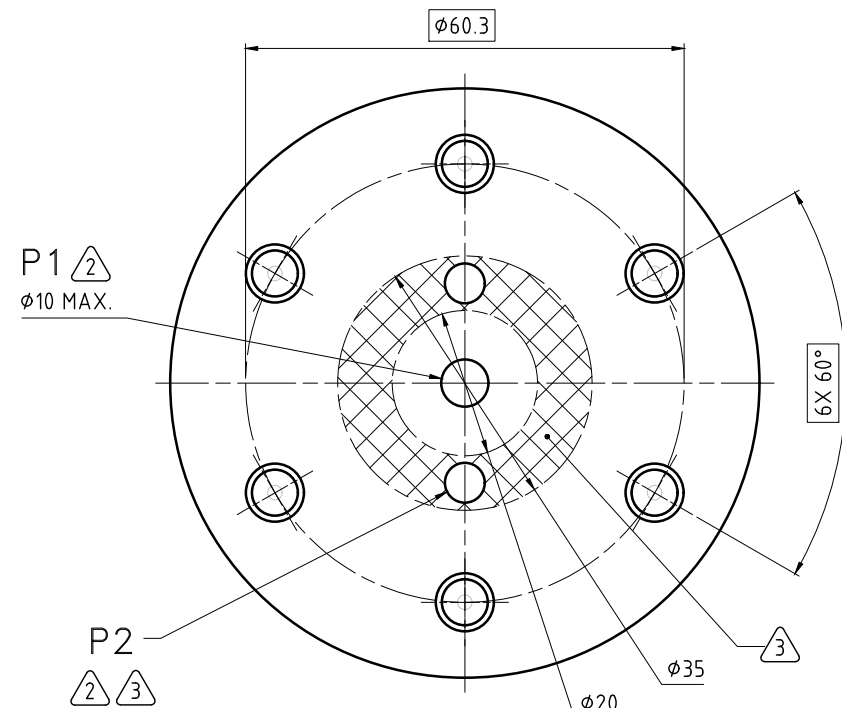
CONFIDENTIAL
 THIS DOCUMENT CONTAINS CONFIDENTIAL AND PROPRIETARY
 INFORMATION OF DEUBLIN COMPANY. COPYING, USE,
 TRANSMISSION, DISTRIBUTION, AND DISCLOSURE ARE SUBJECT
 TO THE TERMS AND CONDITIONS CONTAINED IN YOUR
 AGREEMENT WITH DEUBLIN COMPANY. ALL RIGHTS RESERVED.

NOTES:

- 1 - WHEN ORDERING FROM DEUBLIN USE PART NUMBER: 2620-040-157.
- 2- SEE OPERATING DATA CHART FOR P1 AND P2 PASSAGE MEDIA.
- 3- P2 PASSAGES TO BE WITHIN AREA INDICATED AND SHOULD BE SYMMETRICAL. 2X $\phi 4$ MIN. RECOMMENDED.
- 4- ALTERNATE P2 PASSAGE (PLUGGED).
- 5- DRAIN PORTS (QTY. 2)
- 6- TIGHTEN MOUNTING NUTS USING A CROSS PATTERN TIGHTENING SEQUENCE TO 30 ± 5 N-m.



CUSTOMER INTERFACE



OPERATING DATA

PASSAGE		P1 - INNER	P2 - OUTER
MEDIA		HYDRAULIC OIL	HYDRAULIC OIL
PRESSURE	MAXIMUM	140 bar	70 bar
	MINIMUM	-	-
FLOW RATE	MAXIMUM	69 L/min	69 L/min
	MINIMUM	-	-
TEMPERATURE	MAXIMUM	71 °C	71 °C
	MINIMUM	5 °C	5 °C
MAXIMUM SPEED		12000/min	
DRY RUN		NO	

DEUBLIN COMPANY
 WAUKEGAN, ILLINOIS, U.S.A.



SCALE: 1:1
 MATERIAL:

REV.	DATE	BY	CHKD.	APPD.
F	ADD DRAIN PLUG	8122	10/07	LG
E	REV. & REDRAWN	8121	10/07	LG
ISSUE	MODIFICATION	ECO	DATE	SIGN

TITLE: DEUBLIN UNION 2-PASSAGE
 HYDRAULIC OIL INNER AND OUTER

NO. 2620-040-157-IC

SHEET A2

UNLESS SPECIFICALLY TOLERANCED, ALL DIMENSIONS ARE CONSIDERED REFERENCE