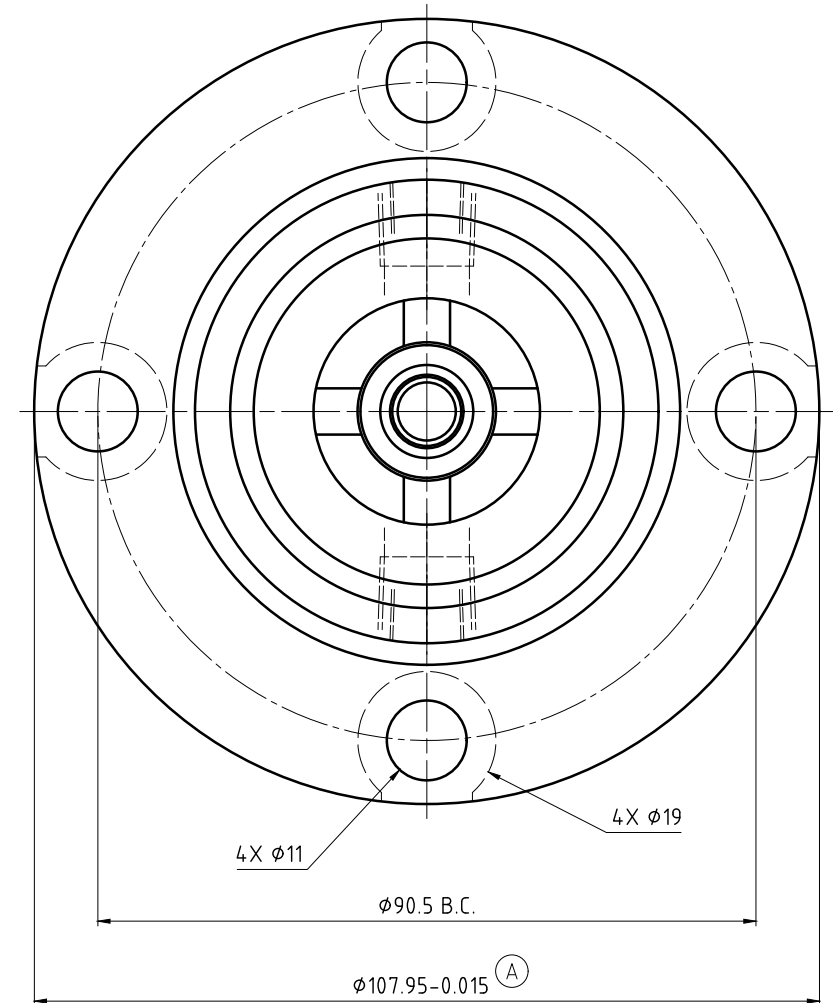
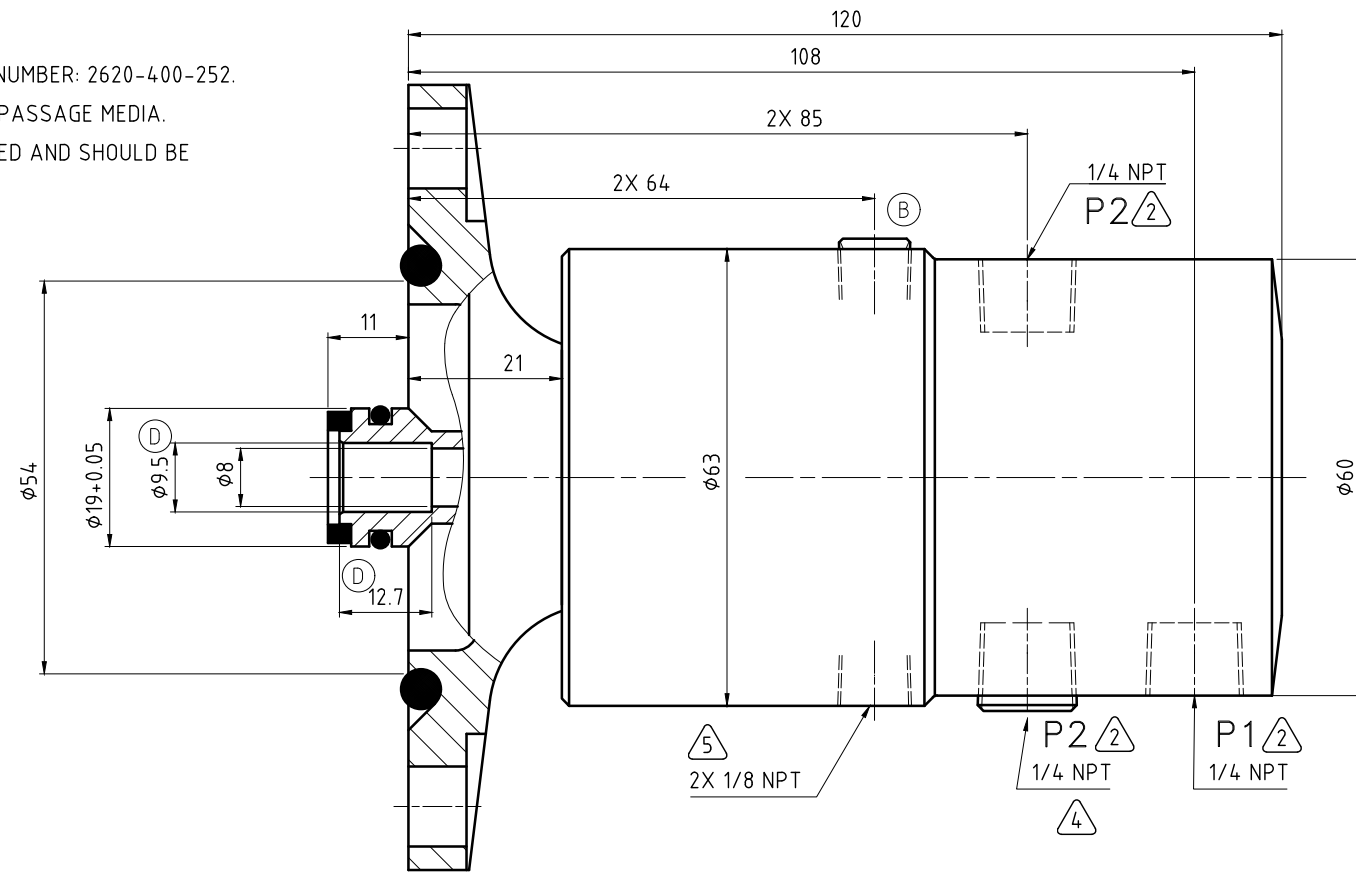


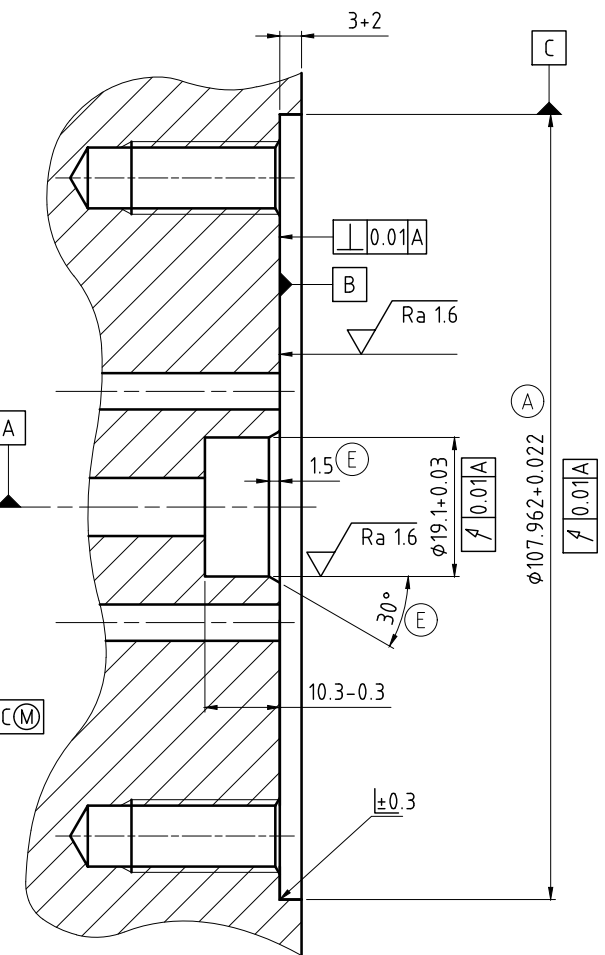
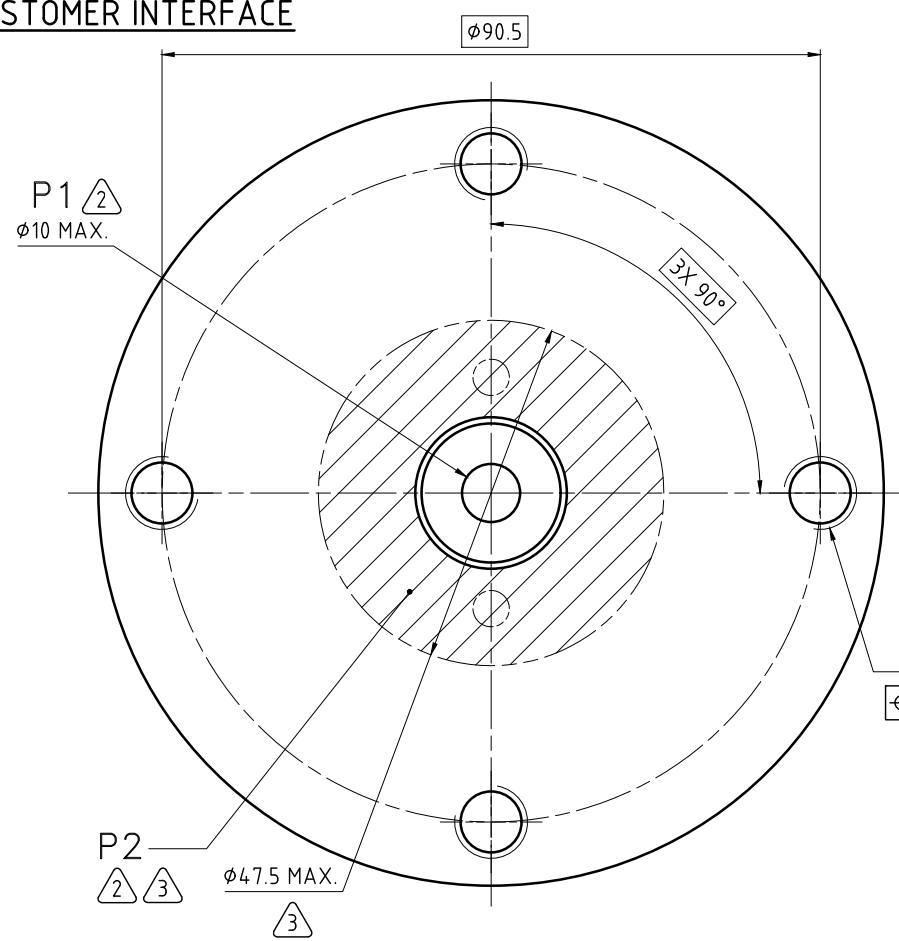
CONFIDENTIAL
 THIS DOCUMENT CONTAINS CONFIDENTIAL AND PROPRIETARY INFORMATION OF DEUBLIN COMPANY. COPYING, USE, TRANSMISSION, DISTRIBUTION, AND DISCLOSURE ARE SUBJECT TO THE TERMS AND CONDITIONS CONTAINED IN YOUR AGREEMENT WITH DEUBLIN COMPANY. ALL RIGHTS RESERVED.

NOTES:

- 1 - WHEN ORDERING FROM DEUBLIN USE PART NUMBER: 2620-400-252.
- 2 - SEE OPERATING DATA CHART FOR P1 & P2 PASSAGE MEDIA.
- 3 - P2 PASSAGES TO BE WITHIN AREA INDICATED AND SHOULD BE SYMMETRICAL. 2X $\phi 4$ MIN. RECOMMENDED.
- 4 - ALTERNATIVE P2 PORT (PLUGGED).
- 5 - DRAIN PORT.
- 6 - TIGHTEN MOUNTING BOLTS TO 40 ± 5 Nm, USING A CROSS PATTERN TIGHTENING SEQUENCE.



CUSTOMER INTERFACE



OPERATING DATA			
PASSAGE MEDIA		P1 INNER	P2 OUTER
		AIR	COOLANT
PRESSURE	MAXIMUM	6 bar	40 bar
	MINIMUM	-	-
FLOW RATE	MAXIMUM	35 NL/sec	69 L/min
	MINIMUM	-	-
TEMPERATURE	MAXIMUM	71 °C	71 °C
	MINIMUM	5 °C	5 °C
MAXIMUM SPEED		7000 min ⁻¹	
DRY RUN		NO	

DEUBLIN COMPANY
 WAUKEGAN, ILLINOIS, U.S.A.

PROJECTION:

SCALE: 1:1
 MATERIAL: INTERFACE CONTROL DRAWING

TITLE: **DEUBLIN UNION 2-PASSAGE AIR INNER / COOLANT OUTER**

NO. **2620-400-252**

ISSUE MODIFICATION ECO DATE SIGN

E	CHAMFER 15-30° ADDED	4/20/96	05/17	FD	DRN.	10/09/07	LG
D	#9.5, 12.7 ADDED	00/18/00	05/08	FD	ENGR.		
C	CORRECTED LIMITS	8/735	11/07	JK	APPD.		
B	ADDED DRAIN PLUG	8/122	10/07	LG			
A	REV. & REDRAWN	8/121	10/07	LG			

UNLESS SPECIFICALLY TOLERANCED, ALL DIMENSIONS ARE CONSIDERED REFERENCE

SHEET A2