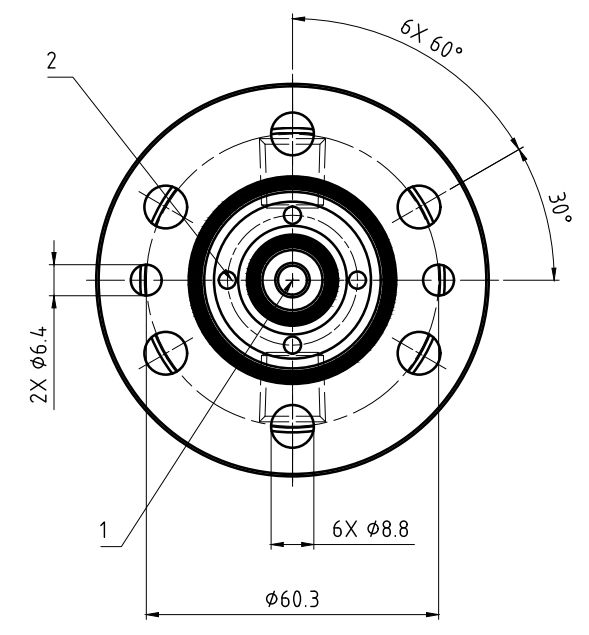
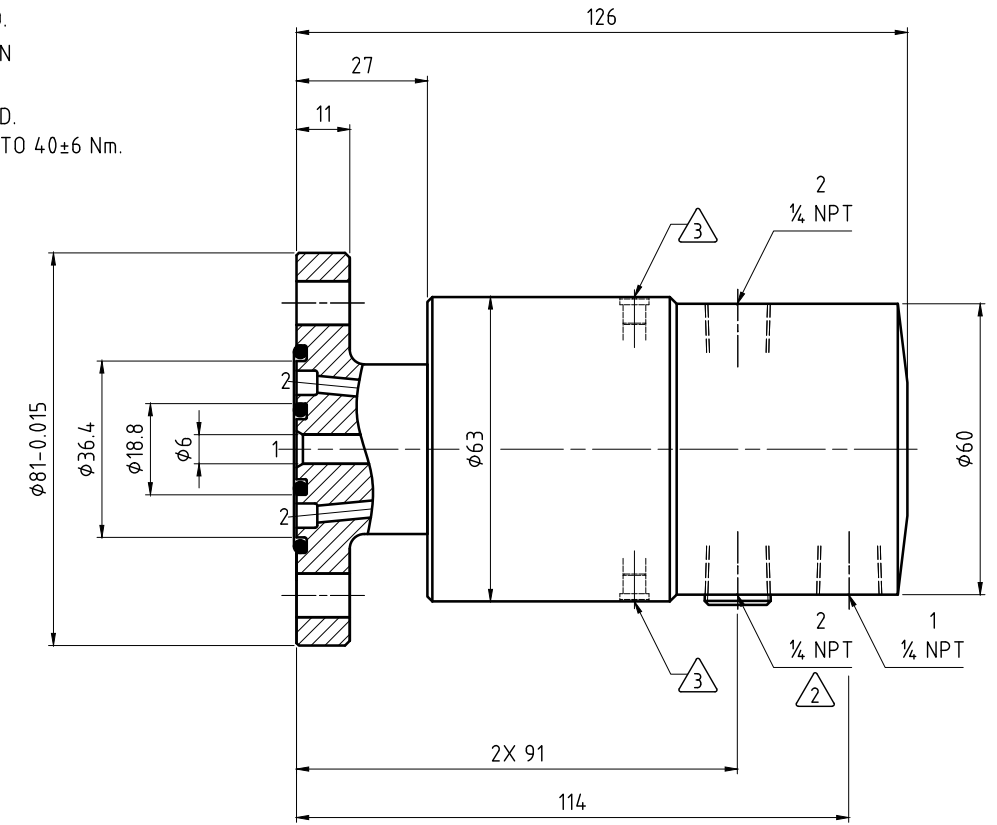
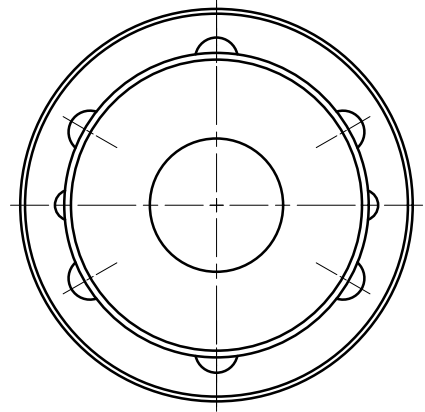
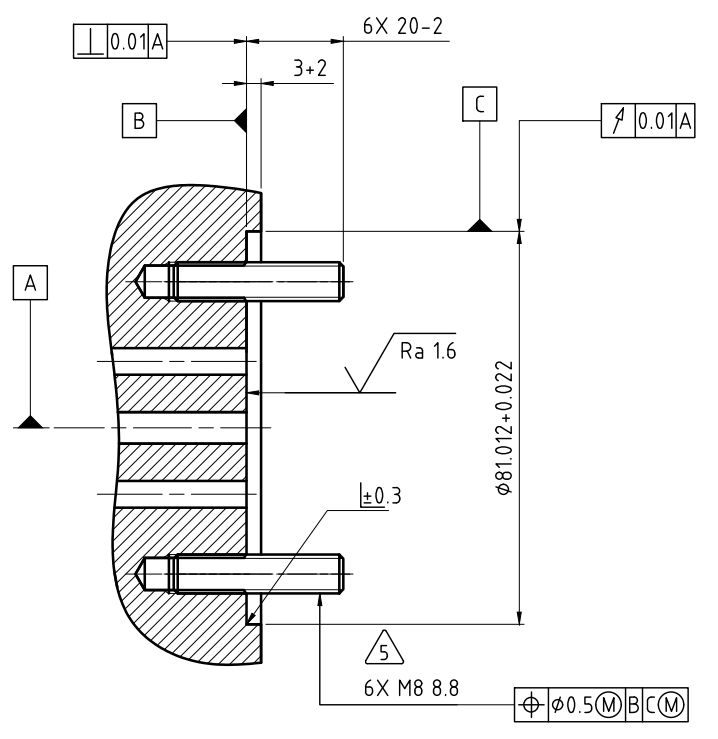
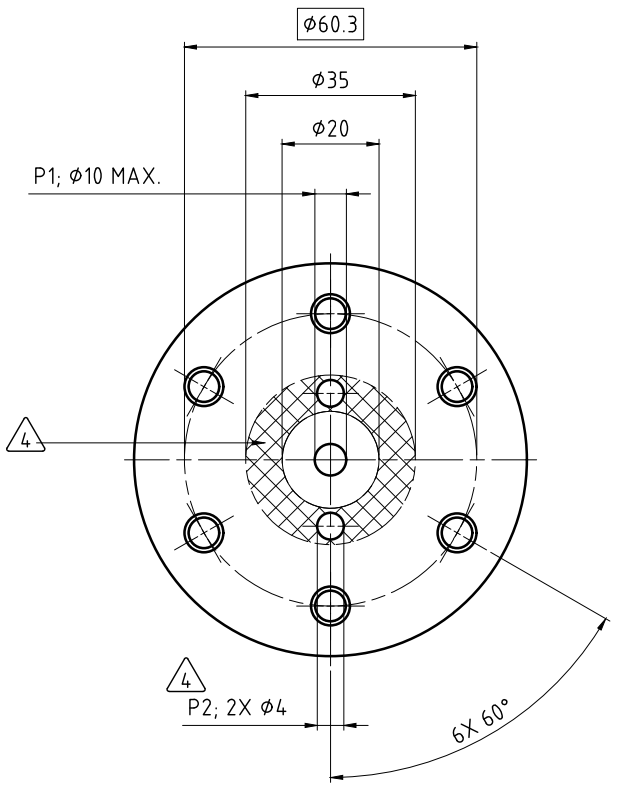


NOTES:

- 1 - CONTACT DEUBLIN OR VISIT WWW.DEUBLIN.COM FOR INSTRUCTION MANUAL: 040-565
- 2 - PLUG INSTALLED HAND TIGHT FROM FACTORY. IF PORT IS NOT UTILIZED, TIGHTEN BEFORE USE.
- 3 - PASSAGE 2 SEAL OILER. REGULAR APPLICATION OF OIL TO SEALS MAY EXTEND LIFE OF UNION DEPENDING ON OPERATING CONDITIONS AND IS RECOMMENDED.
- 4 - INTERFACE SPINDLE PASSAGES FOR UNION PASSAGE 2 MUST BE WITHIN INDICATED DIAMETERS AND SHOULD BE SYMMETRICAL.
- 5 - M10 x 1.5 x 35 CLASS 8.8 MINIMUM SOCKET HEAD SET SCREWS REQUIRED. SCREWS MUST BE TIGHTENED IN A CROSS (STAR) PATTERN SEQUENCE TO 40±6 Nm.



CUSTOMER INTERFACE



OPERATING DATA				
PASSAGE		1	2	
MEDIA		AIR	HYDRAULIC OIL OR COOLANT	AIR
MEDIA PRESSURE	MAXIMUM	6 bar	70 bar	6 bar
	MINIMUM	- bar	- bar	- bar
FLOW RATE	MAXIMUM	2100 NL/min	69 L/min	2100 NL/min
	MINIMUM	- NL/min	- L/min	- NL/min
TEMPERATURE	MAXIMUM	70 °C	70 °C	70 °C
	MINIMUM	5 °C	5 °C	5 °C
MAXIMUM SPEED		7000 min ⁻¹		
DRY RUN		UNLIMITED		
RECOMMENDED FILTRATION		ISO 4406 CLASS 17/15/12		

DEUBLIN
 Engineered for Performance

PROJECTION:

SCALE: 1:1

MATERIAL: INTERFACE CONTROL DRAWING

TITLE: DEUBLIN 2-PASSAGE UNION
 AIR/COOLANT/HYDRAULIC OIL

NO. 2620-500-157

SHEET A2

DRN.	17.10.2014	CW
ENGR.	17.10.2014	FD
APPD.		

UNLESS SPECIFICALLY TOLERANCED, ALL DIMENSIONS ARE CONSIDERED REFERENCE