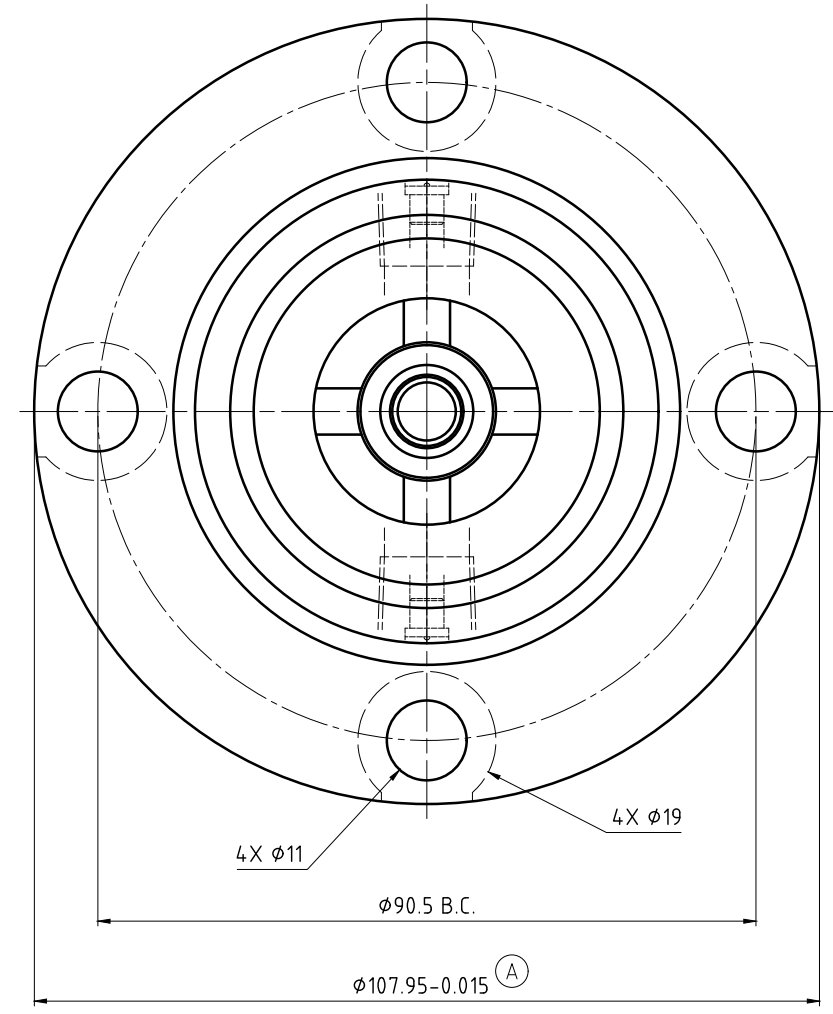
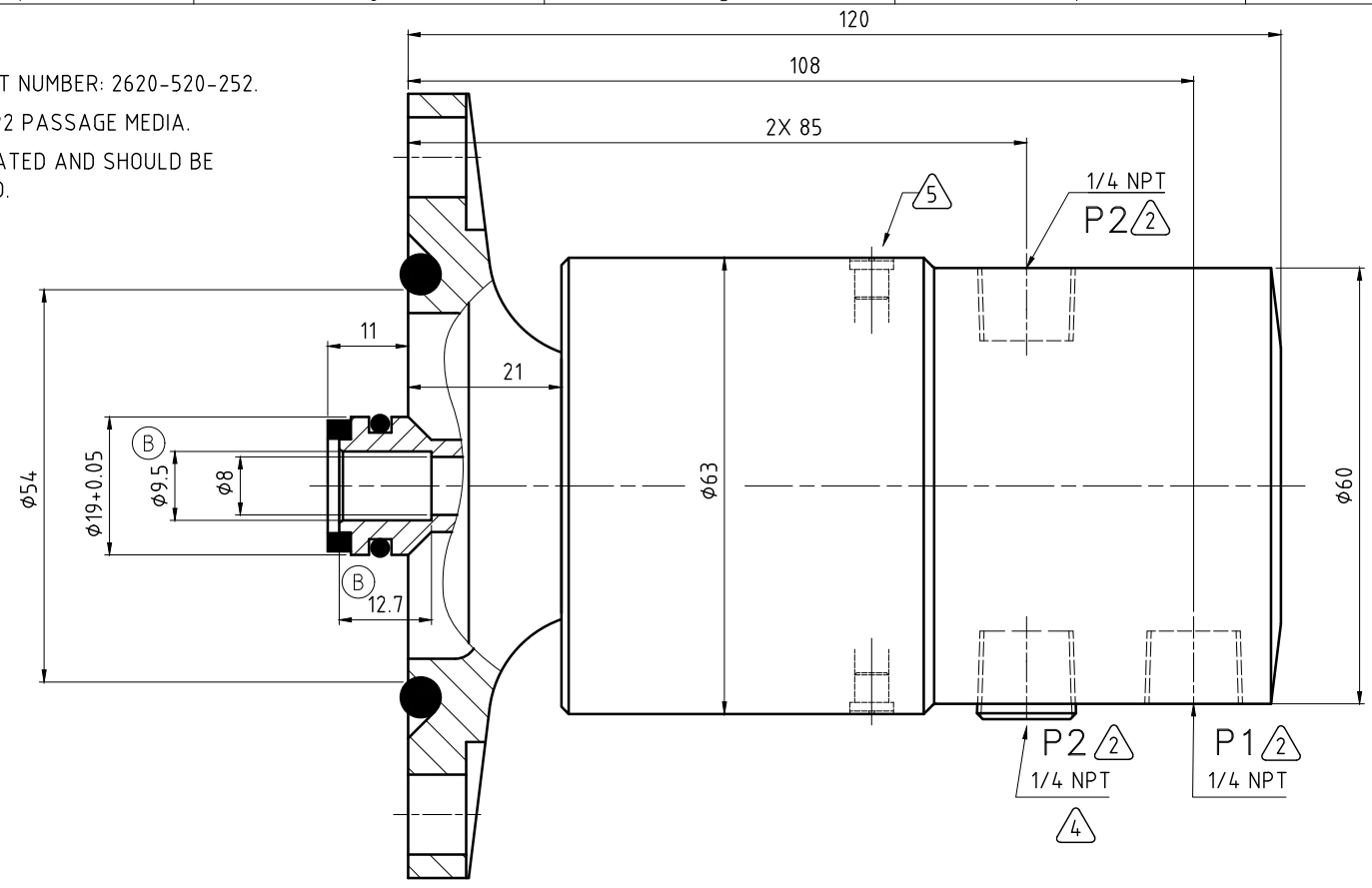


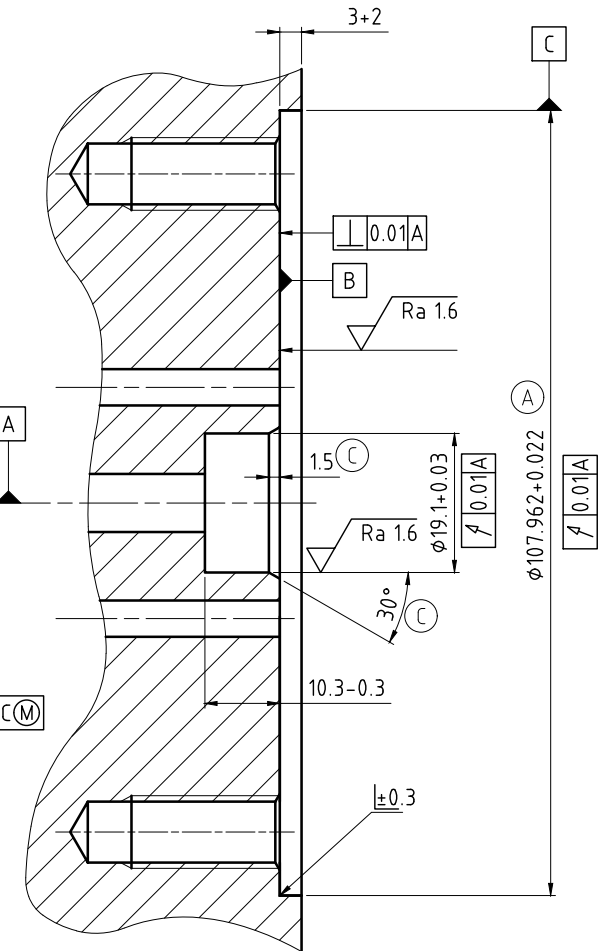
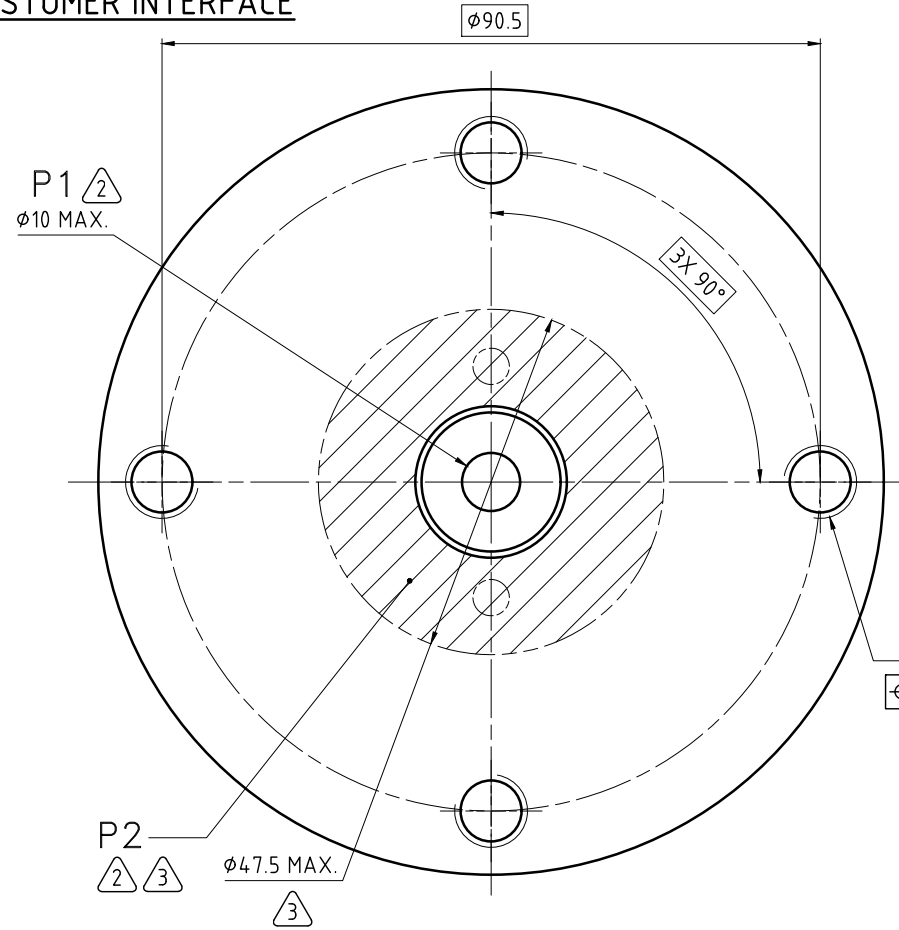
CONFIDENTIAL
 THIS DOCUMENT CONTAINS CONFIDENTIAL AND PROPRIETARY INFORMATION OF DEUBLIN COMPANY. COPYING, USE, TRANSMISSION, DISTRIBUTION, AND DISCLOSURE ARE SUBJECT TO THE TERMS AND CONDITIONS CONTAINED IN YOUR AGREEMENT WITH DEUBLIN COMPANY. ALL RIGHTS RESERVED.

NOTES:

- 1 - WHEN ORDERING FROM DEUBLIN USE PART NUMBER: 2620-520-252.
- 2 - SEE OPERATING DATA CHART FOR P1 & P2 PASSAGE MEDIA.
- 3 - P2 PASSAGES TO BE WITHIN AREA INDICATED AND SHOULD BE SYMMETRICAL. 2X $\phi 4$ MIN. RECOMMENDED.
- 4 - ALTERNATE P2 PASSAGE (PLUGGED).
- 5 - 2X AIR SEAL OILER.
- 6 - TIGHTEN MOUNTING BOLTS TO 40 ± 5 Nm, USING A CROSS PATTERN TIGHTENING SEQUENCE.



CUSTOMER INTERFACE



(A) OPERATING DATA			
PASSAGE MEDIA		P1 INNER	P2 OUTER
		AIR	AIR
PRESSURE	MAXIMUM	10 bar	10 bar
	MINIMUM	-	-
FLOW RATE	MAXIMUM	35 NL/sec	35 NL/sec
	MINIMUM	-	-
TEMPERATURE	MAXIMUM	71 °C	71 °C
	MINIMUM	5 °C	5 °C
MAXIMUM SPEED		7000 min ⁻¹	

DEUBLIN COMPANY
 WAUKEGAN, ILLINOIS, U.S.A.

PROJECTION:

SCALE: 1:1
 MATERIAL: INTERFACE CONTROL DRAWING

ISSUE	MODIFICATION	ECO	DATE	SIGN
C	CHAMFER 15-30" ADDED	042096	05/17	FD
B	#95-127 ADDED	001884	05/08	FD
A	REV. & REDRAWN	8121	10/07	LG

TITLE: DEUBLIN UNION 2-PASSAGE AIR INNER / AIR OUTER
 NO. 2620-520-252
 SHEET A2

UNLESS SPECIFICALLY TOLERANCED, ALL DIMENSIONS ARE CONSIDERED REFERENCE