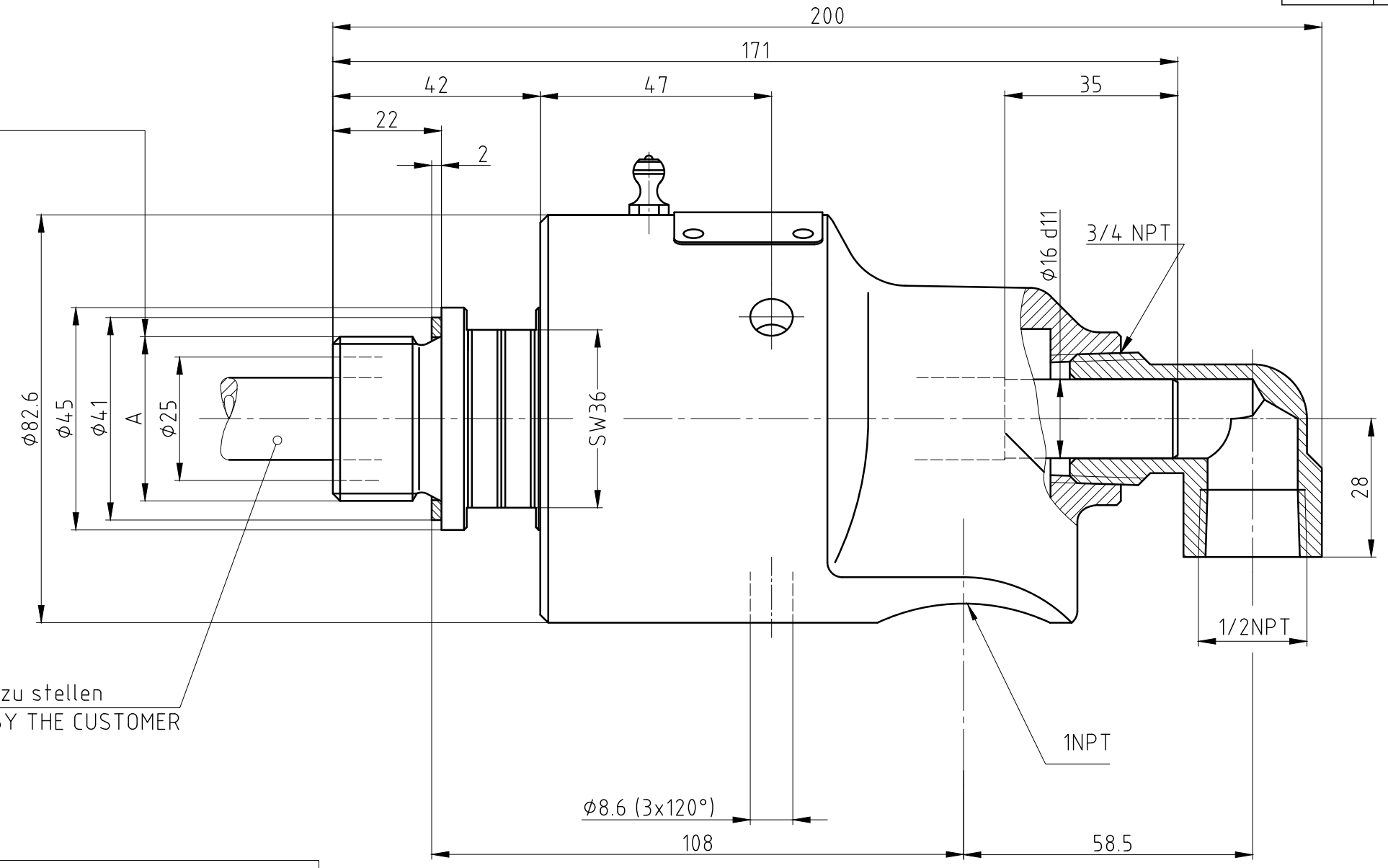


CONFIDENTIAL
 THIS DOCUMENT CONTAINS CONFIDENTIAL AND PROPRIETARY INFORMATION OF DEUBLIN COMPANY. COPYING, USE, TRANSMISSION, DISTRIBUTION, AND DISCLOSURE ARE SUBJECT TO THE TERMS AND CONDITIONS CONTAINED IN YOUR AGREEMENT WITH DEUBLIN COMPANY. ALL RIGHTS RESERVED.

Maß	Passung
φ16	d11 $\begin{matrix} -0.050 \\ -0.160 \end{matrix}$ $\begin{matrix} 15.950 \\ 15.840 \end{matrix}$

ROTOR THREAD Rotorgewinde A	RTR.	ORDERING NO. Bestell-Nr.
G 1 A RH	-222	355-000-222-347
G 1 A LH	-223	355-000-223-347



OPERATING DATA / Betriebsdaten

MEDIA Medium	WATER	Wasser	SATURATED STEAM	Sattdampf	HOT OIL	Thermoöl
MAXIMUM PRESSURE Max. Druck	750 PSI*	50 bar*	14 PSI (INTERMITTENT)	1 bar (kurzzeitig)	100 PSI	6.5 bar
MINIMUM OPERATING TEMPERATURE Min. Betriebstemperatur	. °F	. °C	. °F	. °C	. °F	. °C
MAXIMUM OPERATING TEMPERATURE Max. Betriebstemperatur	250 °F	120 °C	250 °F	120 °C	250 °F	120 °C
MAXIMUM SPEED Max. Drehzahl	3000 RPM	3000 min ⁻¹	3000 RPM	3000 min ⁻¹	3000 RPM	3000 min ⁻¹
FILTRATION Filterung	60 µm	60 µm	60 µm	60 µm	60 µm	60 µm
DRY RUN (WITHOUT ANY MEDIA) Trockenlauf (ohne Medium)	NO	nein	NO	nein	NO	nein

* PRESSURES EXCEEDING 115 PSI ONLY PERMISSABLE WITH COLD WATER (MAX. 120°F)!
 * Drücke über 8 bar nur in Verbindung mit Kaltwasser (max. 50°C) zulässig!

 DEUBLIN GmbH D-65719 HOFHEIM-WALLAU, GERMANY	PROJECTION:	SCALE: 1:1	Z:\UNION\															
		MATERIAL:																
<table border="1"> <thead> <tr> <th></th> <th>DATE</th> <th>NAME</th> </tr> </thead> <tbody> <tr> <td>DRN.</td> <td>23.03.2006</td> <td>Ch. Wolf</td> </tr> <tr> <td>ENGR.</td> <td>23.03.2006</td> <td>H.J. Huhn</td> </tr> <tr> <td>APPD.</td> <td></td> <td></td> </tr> </tbody> </table>		DATE	NAME	DRN.	23.03.2006	Ch. Wolf	ENGR.	23.03.2006	H.J. Huhn	APPD.			TITLE: DEUBLIN ROTATING UNION DEUBLIN Drehdurchführung					
	DATE	NAME																
DRN.	23.03.2006	Ch. Wolf																
ENGR.	23.03.2006	H.J. Huhn																
APPD.																		
<table border="1"> <thead> <tr> <th>ISSUE</th> <th>MODIFICATION</th> <th>ECO</th> <th>DATE</th> <th>SIGN</th> </tr> </thead> <tbody> <tr> <td>a</td> <td>Redrawn</td> <td>06034</td> <td>23.03.06</td> <td>Wolf</td> </tr> <tr> <td></td> <td>Operating data changed</td> <td></td> <td></td> <td></td> </tr> </tbody> </table>	ISSUE	MODIFICATION	ECO	DATE	SIGN	a	Redrawn	06034	23.03.06	Wolf		Operating data changed				UNLESS SPECIFICALLY TOLERANCED, ALL DIMENSIONS ARE CONSIDERED REFERENCE		NO. 355-000-222+223-347-DD
ISSUE	MODIFICATION	ECO	DATE	SIGN														
a	Redrawn	06034	23.03.06	Wolf														
	Operating data changed																	
			SHEET															