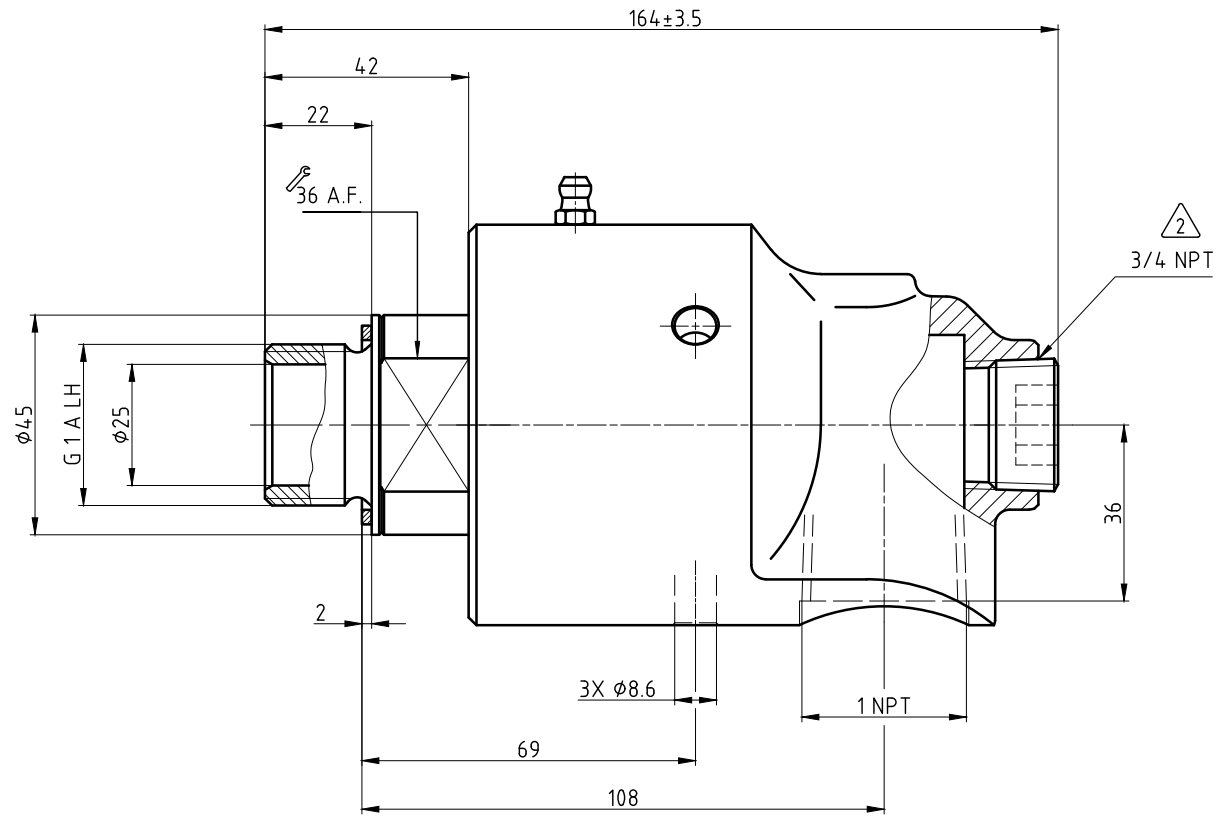
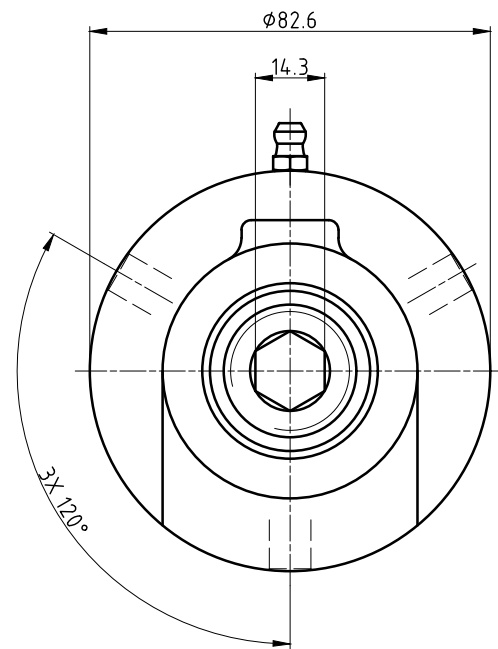


CONFIDENTIAL  
 THIS DOCUMENT CONTAINS CONFIDENTIAL AND PROPRIETARY  
 INFORMATION OF DEUBLIN COMPANY. COPYING, USE,  
 TRANSMISSION, DISTRIBUTION, AND DISCLOSURE ARE SUBJECT  
 TO THE TERMS AND CONDITIONS CONTAINED IN YOUR  
 AGREEMENT WITH DEUBLIN COMPANY. ALL RIGHTS RESERVED.

NOTES:

1 - CONTACT DEUBLIN OR VISIT WWW.DEUBLIN.COM  
 FOR INSTRUCTION MANUAL: 040-550

2 - PLUG INSTALLED HAND TIGHT FROM FACTORY. IF PORT IS NOT UTILIZED,  
 TIGHTEN BEFORE USE.



OPERATING DATA			
MEDIA	WATER	SATURATED STEAM (INTERMITTENT)	HOT OIL
PRESSURE MAX.	50 bar	1 bar	6.6 bar
SPEED MAX.	3000 min <sup>-1</sup>		
TEMPERATURE MAX.	120 °C		
DRY RUN (WITHOUT ANY MEDIA)	NO		



PROJECTION:   
 SCALE: 1:1  
 MATERIAL: INTERFACE CONTROL DRAWING

DATE	NAME
DRN. 23.04.2014	CW
ENGR. 23.04.2014	FD
APPD.	

TITLE: DEUBLIN ROTATING UNION  
 DEUBLIN Drehdurchführung  
 NO. 355-000-223

UNLESS SPECIFICALLY TOLERANCED, ALL  
 DIMENSIONS ARE CONSIDERED REFERENCE

SHEET  
 A2