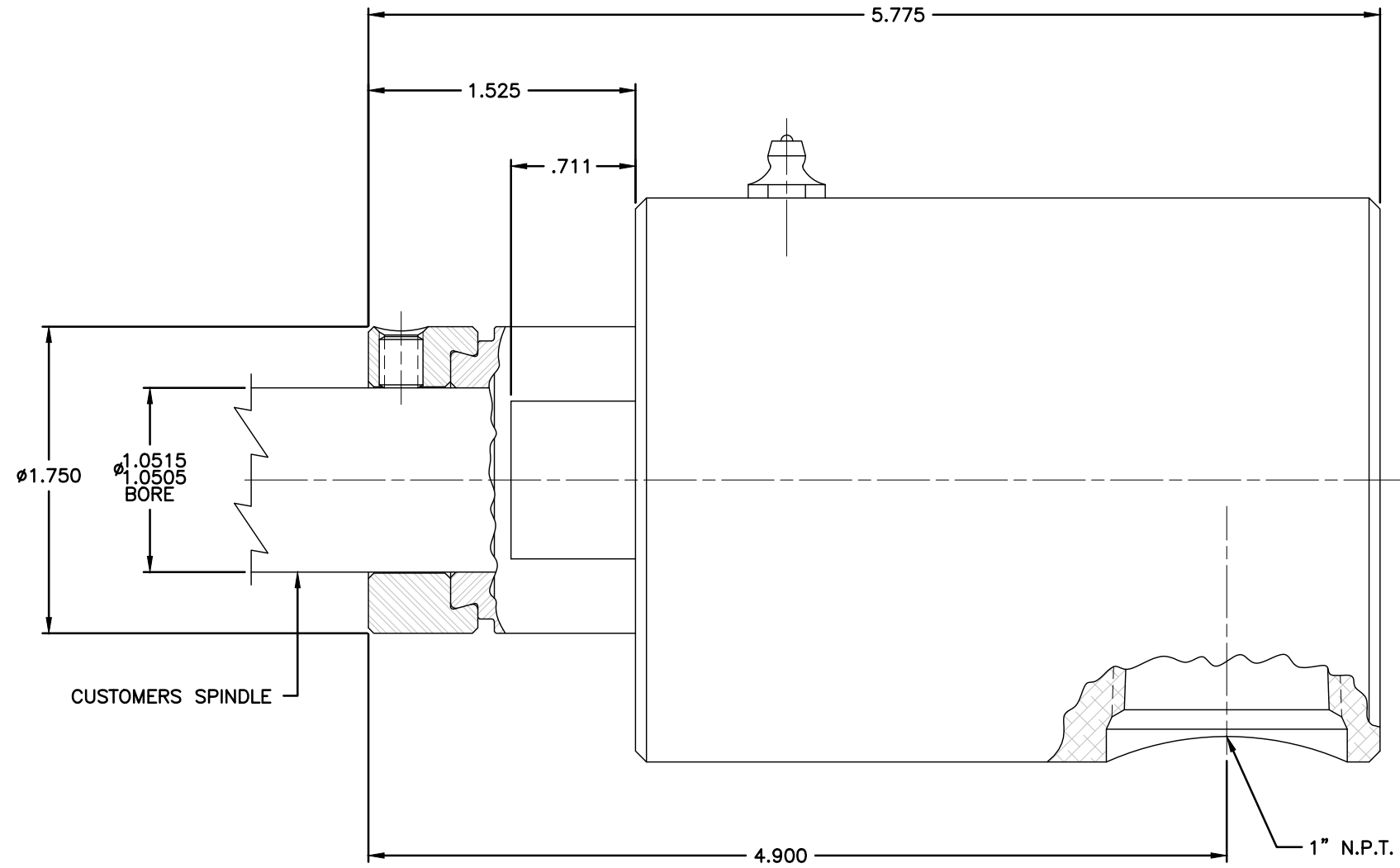
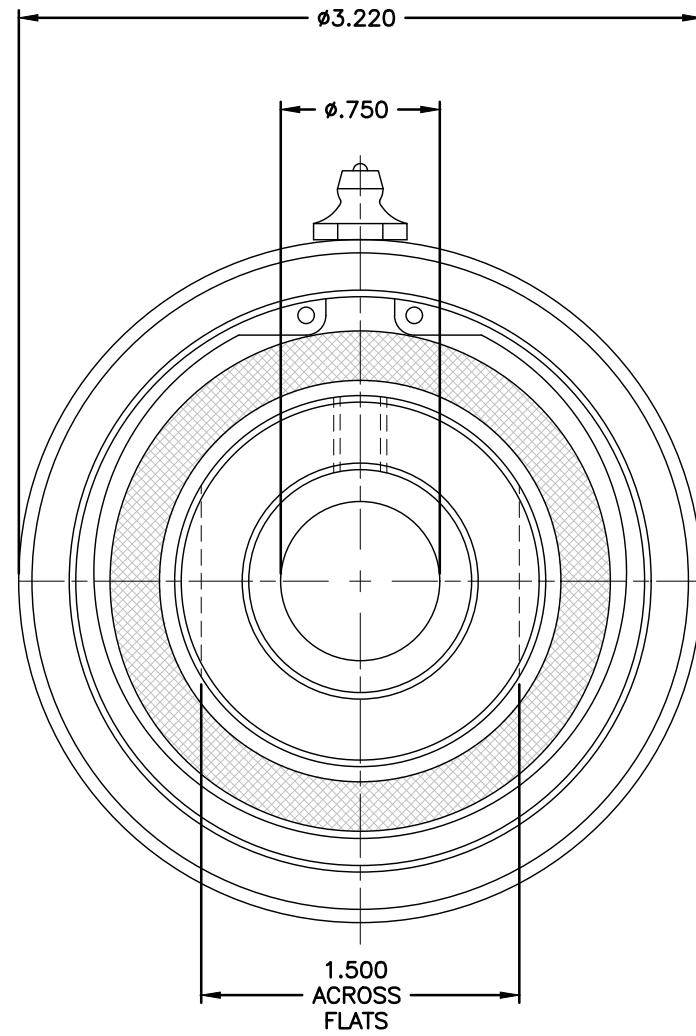


NOTES:  
 1 - WHEN ORDERING FROM DEUBLIN USE PART NUMBER: 355-017-215.



CONFIDENTIAL  
 THIS DOCUMENT CONTAINS CONFIDENTIAL AND PROPRIETARY INFORMATION OF DEUBLIN COMPANY. COPYING, USE, TRANSMISSION, DISTRIBUTION, AND DISCLOSURE ARE SUBJECT TO THE TERMS AND CONDITIONS CONTAINED IN YOUR AGREEMENT WITH DEUBLIN COMPANY. ALL RIGHTS RESERVED.

SCALE	1.66:1	DWG SIZE	C
DRN	RM	04/03/04	
ENGR	ARS	04/03/04	
APPD	SS	04/03/04	
PART NO.	355-017-215		
CUSTOMER			
LET.	REVISION	ECO	DATE SIGN

UNLESS SPECIFICALLY TOLERANCED, ALL DIMENSIONS ARE REFERENCE  
 DIMENSIONS IN [ ] ARE IN MILLIMETERS.

**DEUBLIN** COMPANY  
 WAUKEGAN, ILLINOIS, U.S.A.

TITLE: INTERFACE CONTROL  
 DRAWING OF DEUBLIN  
 UNION 355-017-215

DWG. NO. 355-017-215-IC  
 C.A.D DRAWING