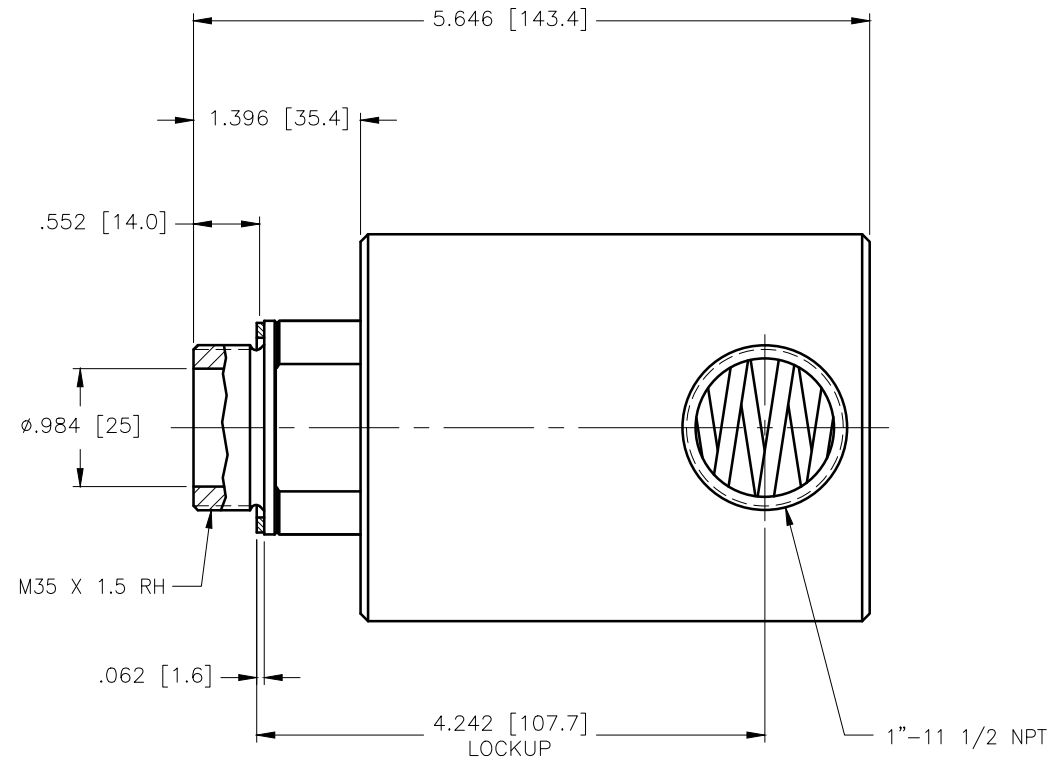
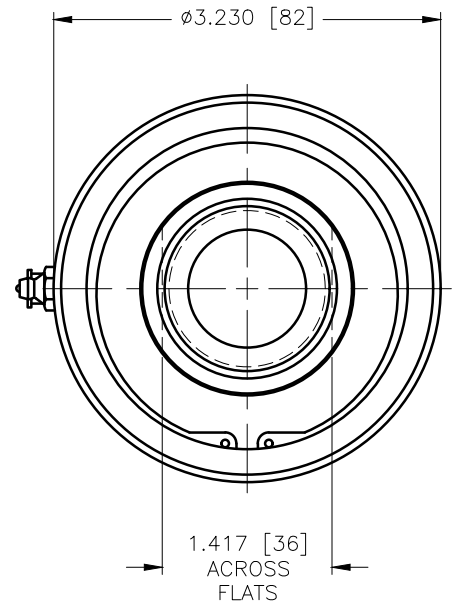


NOTES:

1 - WHEN ORDERING FROM DEUBLIN USE PART NUMBER: 355-021-235.

CONFIDENTIAL
 THIS DOCUMENT CONTAINS CONFIDENTIAL AND PROPRIETARY INFORMATION OF DEUBLIN COMPANY. COPYING, USE, TRANSMISSION, DISTRIBUTION, AND DISCLOSURE ARE SUBJECT TO THE TERMS AND CONDITIONS CONTAINED IN YOUR AGREEMENT WITH DEUBLIN COMPANY. ALL RIGHTS RESERVED.



SCALE	1 = 1	DWG SIZE
DRN	NR	11/13/07
ENGR	TW	11/13/07
APPD	TW	11/13/07
PART NO.	355-021-235	
CUSTOMER		
LET.	REVISION	ECO DATE SIGN

UNLESS SPECIFICALLY TOLERANCED, ALL DIMENSIONS ARE REFERENCE DIMENSIONS IN [] ARE IN MILLIMETERS.

DEUBLIN COMPANY
 WAUKEGAN, ILLINOIS, U.S.A.

TITLE: INTERFACE CONTROL
 DRAWING OF DEUBLIN
 UNION 355-021-235

DWG NO. 355-021-235-IC
 C.A.D. DRAWING