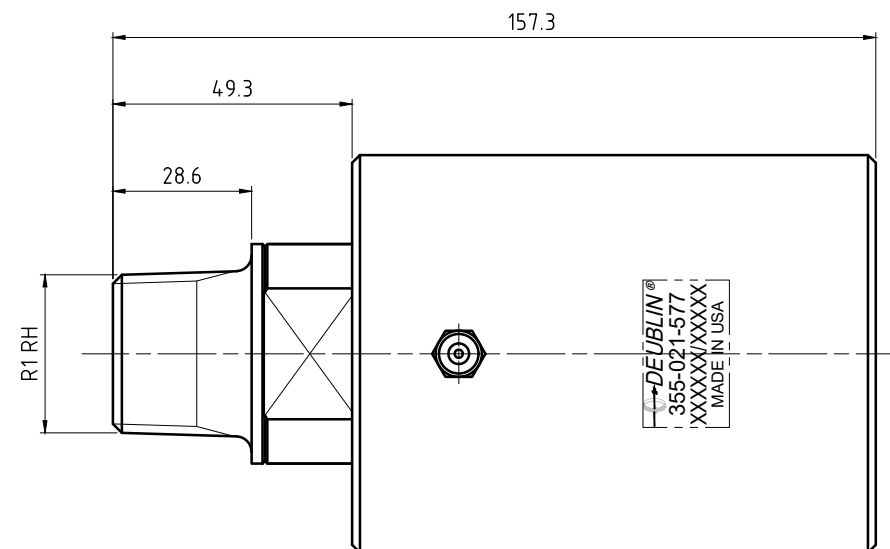
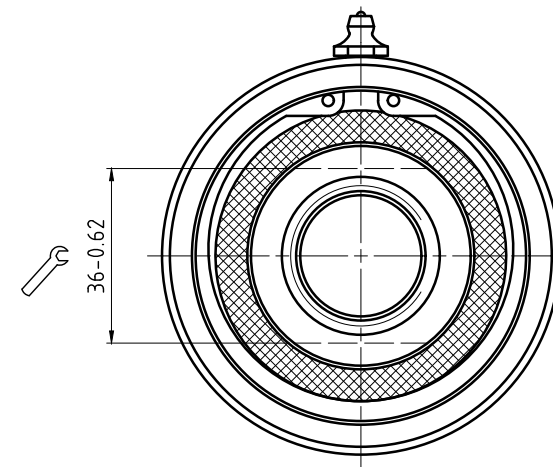
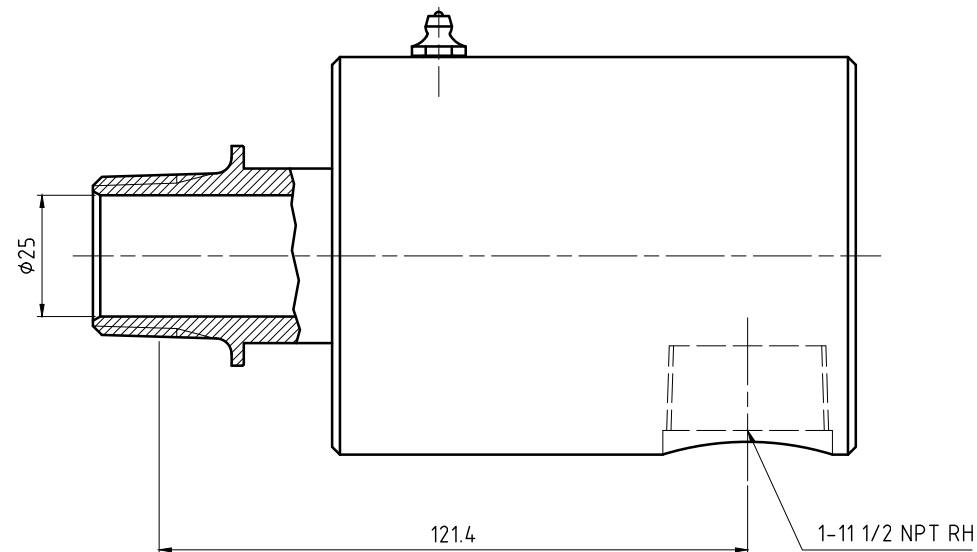
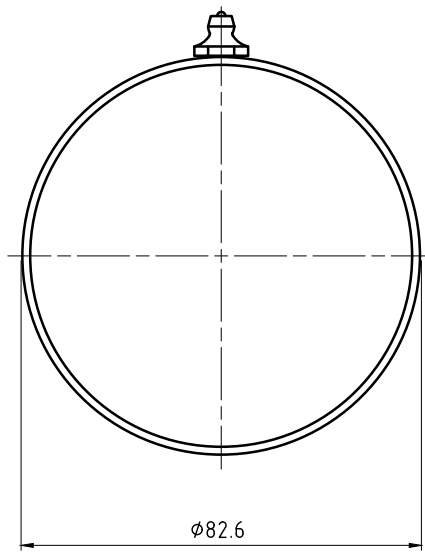


CONFIDENTIAL  
 THIS DOCUMENT CONTAINS CONFIDENTIAL AND PROPRIETARY  
 INFORMATION OF DEUBLIN COMPANY. COPYING, USE,  
 TRANSMISSION, DISTRIBUTION, AND DISCLOSURE ARE SUBJECT  
 TO THE TERMS AND CONDITIONS CONTAINED IN YOUR  
 AGREEMENT WITH DEUBLIN COMPANY. ALL RIGHTS RESERVED.



OPERATING DATA		
MEDIA	AIR AND HYDRAULIC	
MAX AIR PRESSURE	150 PSI	10 bar
MAX HYD. PRESSURE	1000 PSI	70 bar
MAX SPEED	1500 RPM	1500/min
MAX TEMPERATURE	250°F	121°C



SCALE: 1:1

MATERIAL: INTERFACE CONTROL DRAWING

DATE	NAME	TITLE
DRN. 07/24/13	N. Reyna	DEUBLIN UNION
ENGR. 07/24/13	T. Wilson	
APPD.		

ISSUE	MODIFICATION	ECO	DATE	NR	SIGN
A	REVISED TITLE	027127	02/14	NR	

NO. **355-021-577**

SHEET  
A2

UNLESS SPECIFICALLY TOLERANCED, ALL DIMENSIONS ARE CONSIDERED REFERENCE