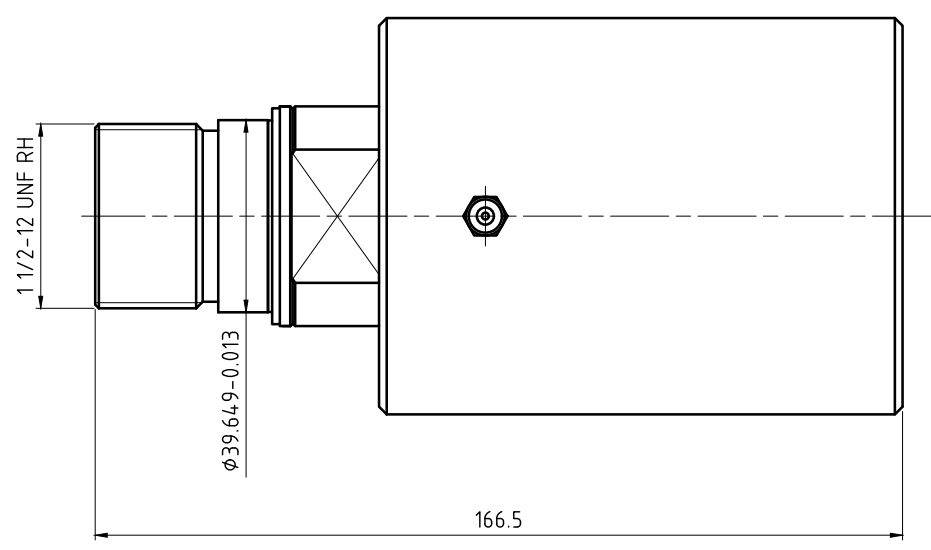
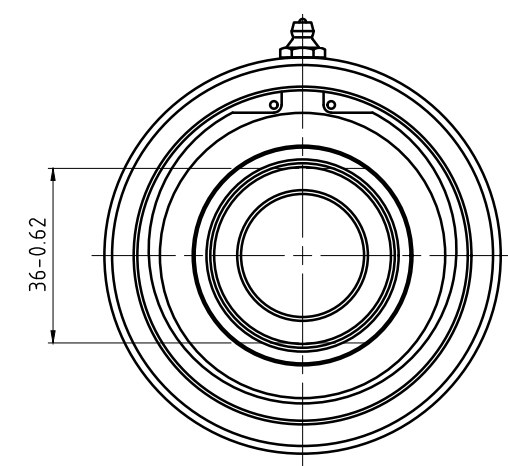
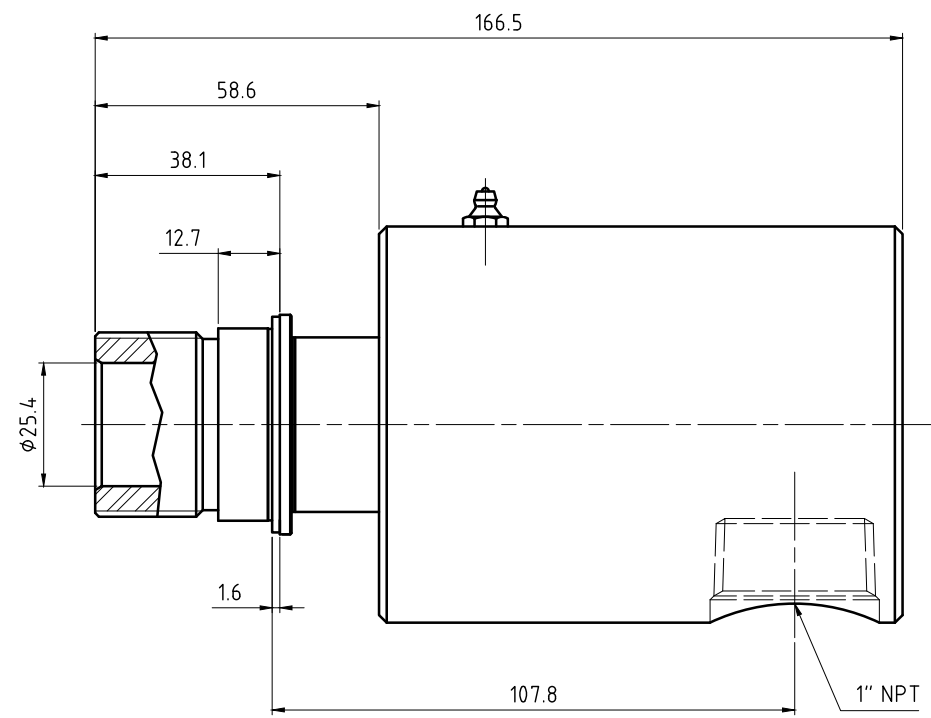
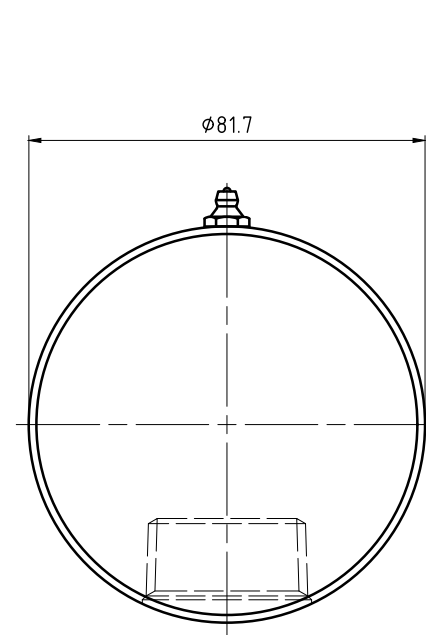


CONFIDENTIAL
 THIS DOCUMENT CONTAINS CONFIDENTIAL AND PROPRIETARY
 INFORMATION OF DEUBLIN COMPANY. COPYING, USE,
 TRANSMISSION, DISTRIBUTION, AND DISCLOSURE ARE SUBJECT
 TO THE TERMS AND CONDITIONS CONTAINED IN YOUR
 AGREEMENT WITH DEUBLIN COMPANY. ALL RIGHTS RESERVED.



OPERATING DATA		
MEDIA	AIR AND HYDRAULIC	
MAX AIR PRESSURE	150 PSI	10 bar
MAX HYD. PRESSURE	1000 PSI	70 bar
MAX SPEED	3000 RPM	3000/min
MAX TEMPERATURE	250°F	121°C

		PROJECTION: 	SCALE: 1:1 MATERIAL: INTERFACE CONTROL DRAWING
DATE: 07/16/12 NAME: N. Reyna ENGR. 07/16/12 T. Wilson APPD.		TITLE: DEUBLIN UNION	
NO. 355-058-984		SHEET A2	
ISSUE	MODIFICATION	ECO	DATE

UNLESS SPECIFICALLY TOLERANCED, ALL DIMENSIONS ARE CONSIDERED REFERENCE