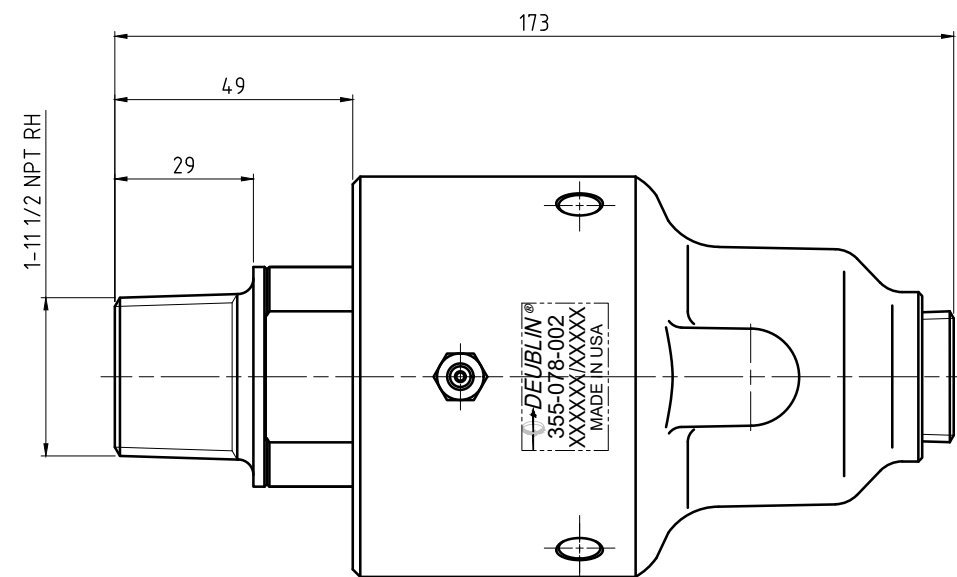
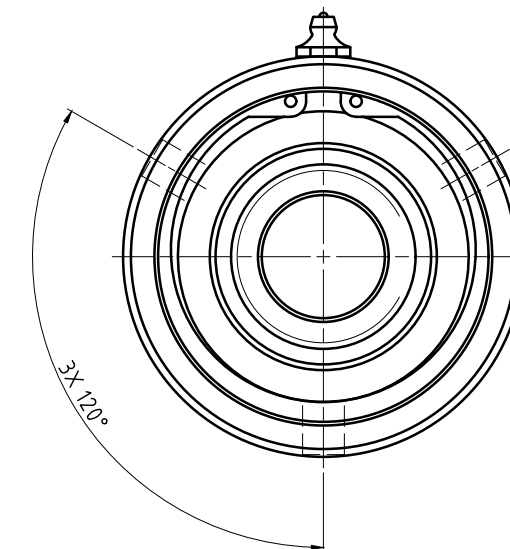
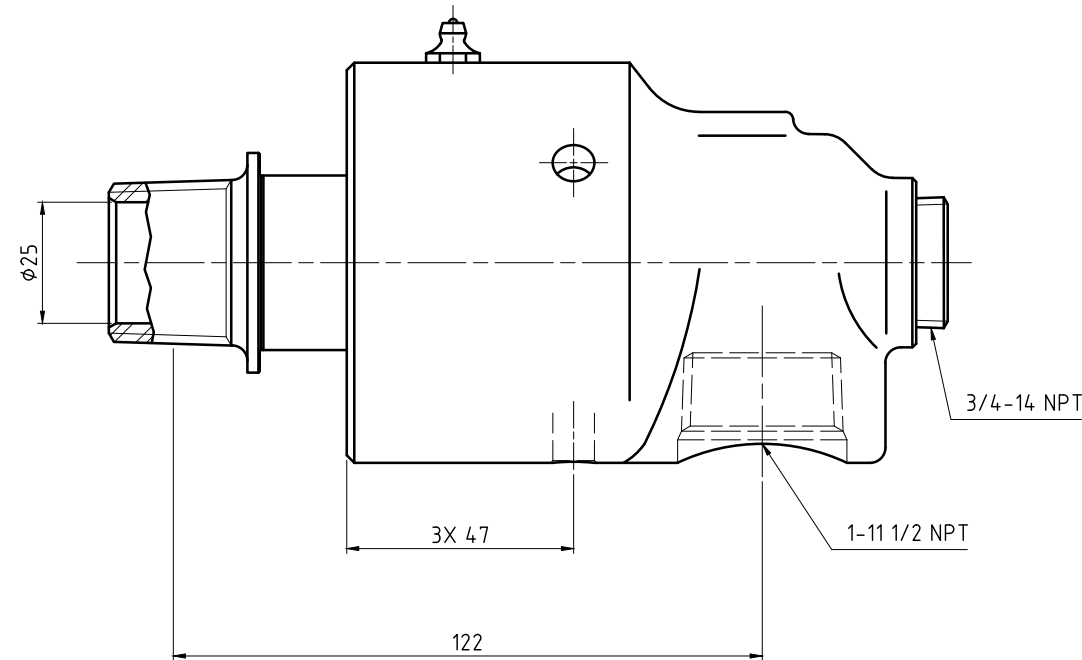
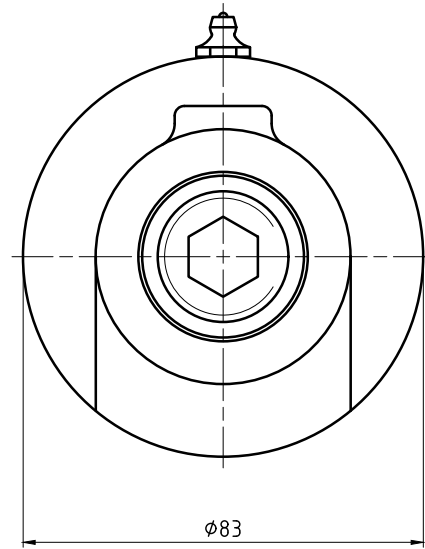


CONFIDENTIAL
 THIS DOCUMENT CONTAINS CONFIDENTIAL AND PROPRIETARY
 INFORMATION OF DEUBLIN COMPANY. COPYING, USE,
 TRANSMISSION, DISTRIBUTION, AND DISCLOSURE ARE SUBJECT
 TO THE TERMS AND CONDITIONS CONTAINED IN YOUR
 AGREEMENT WITH DEUBLIN COMPANY. ALL RIGHTS RESERVED.

NOTES:

① - PLUG INSTALLED HAND TIGHT FROM FACTORY. IF PORT IS NOT UTILIZED,
 TIGHTEN BEFORE USE.



OPERATING DATA		
MEDIA	WATER	
MAX WATER PRESSURE	750 PSI	51 bar
MAX WATER TEMP.	250°F	121°C
MAX SPEED	1500 RPM	1500/min

		PROJECTION:		SCALE: 1:1	
		MATERIAL:		INTERFACE CONTROL DRAWING	
		DATE	NAME	TITLE:	
		DRN. 02/24/15	N. Reyna	DEUBLIN UNION	
		ENGR. 02/25/15	T. Wilson		
		APPD.			
		UNLESS SPECIFICALLY TOLERANCED, ALL DIMENSIONS ARE CONSIDERED REFERENCE		NO. 355-078-002	
ISSUE	MODIFICATION	ECO	DATE	SIGN	SHEET A2