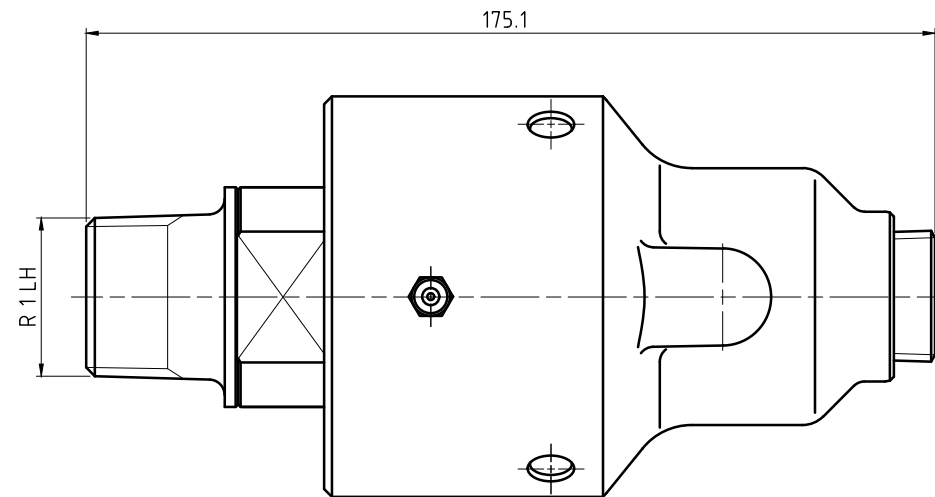
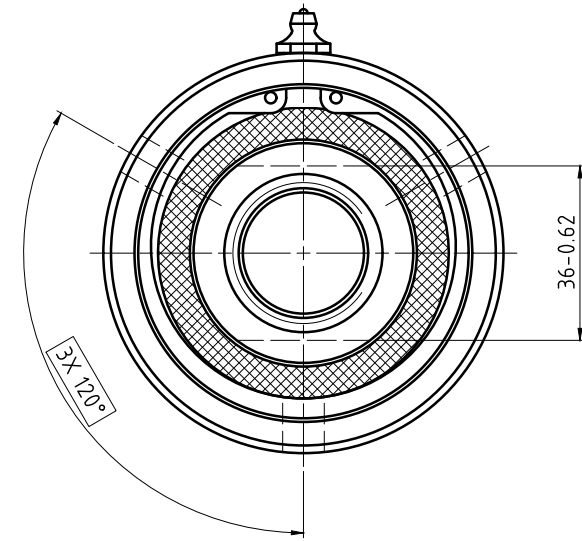
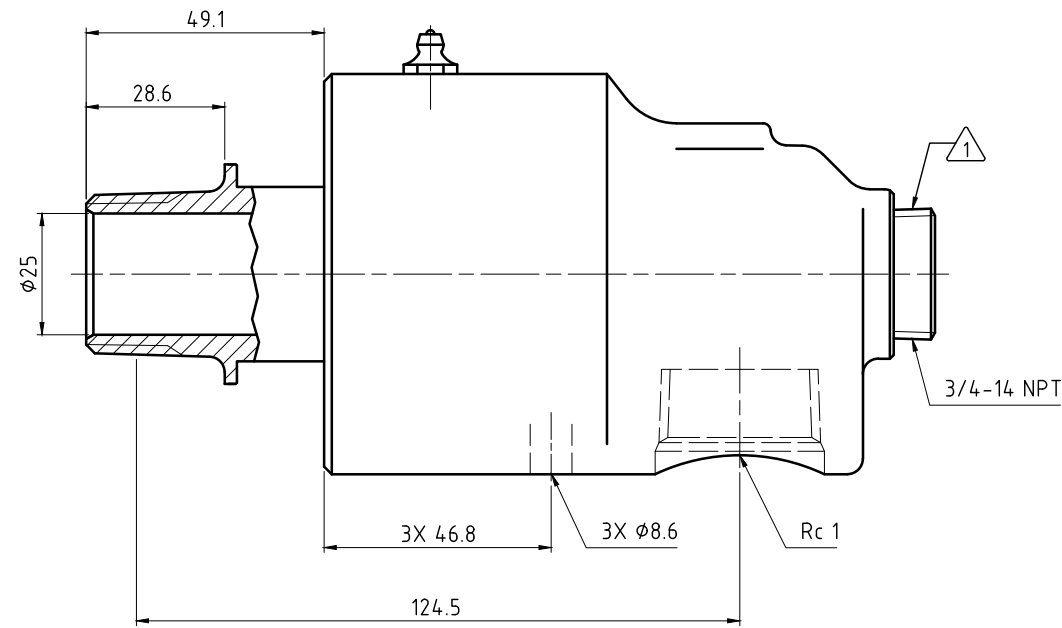
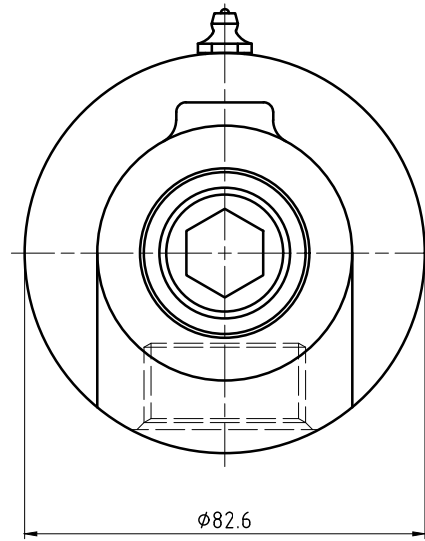


CONFIDENTIAL  
 THIS DOCUMENT CONTAINS CONFIDENTIAL AND PROPRIETARY  
 INFORMATION OF DEUBLIN COMPANY. COPYING, USE,  
 TRANSMISSION, DISTRIBUTION, AND DISCLOSURE ARE SUBJECT  
 TO THE TERMS AND CONDITIONS CONTAINED IN YOUR  
 AGREEMENT WITH DEUBLIN COMPANY. ALL RIGHTS RESERVED.

NOTES:

① - PLUG INSTALLED HAND TIGHT FROM FACTORY. IF PORT IS NOT UTILIZED,  
 TIGHTEN BEFORE USE.



| OPERATING DATA     |          |          |
|--------------------|----------|----------|
| MEDIA              | WATER    |          |
| MAX WATER PRESSURE | 750 PSI  | 50 bar   |
| MAX WATER TEMP.    | 250°F    | 121°C    |
| MAX SPEED          | 1500 RPM | 1500/min |

|       |              |                                     |                      |
|-------|--------------|-------------------------------------|----------------------|
|       |              | PROJECTION:                         | SCALE: 1:1           |
|       |              | MATERIAL: INTERFACE CONTROL DRAWING |                      |
|       |              | DATE: 04/17/12<br>NAME: N. Reyna    | TITLE: DEUBLIN UNION |
|       |              | ENGR: 04/17/12<br>NAME: S. Stasi    |                      |
|       |              | APPD.                               |                      |
|       |              | NO. 355-900-578                     |                      |
|       |              | SHEET A2                            |                      |
| ISSUE | MODIFICATION | ECO                                 | DATE                 |
|       |              |                                     | SIGN                 |

UNLESS SPECIFICALLY TOLERANCED, ALL DIMENSIONS ARE CONSIDERED REFERENCE