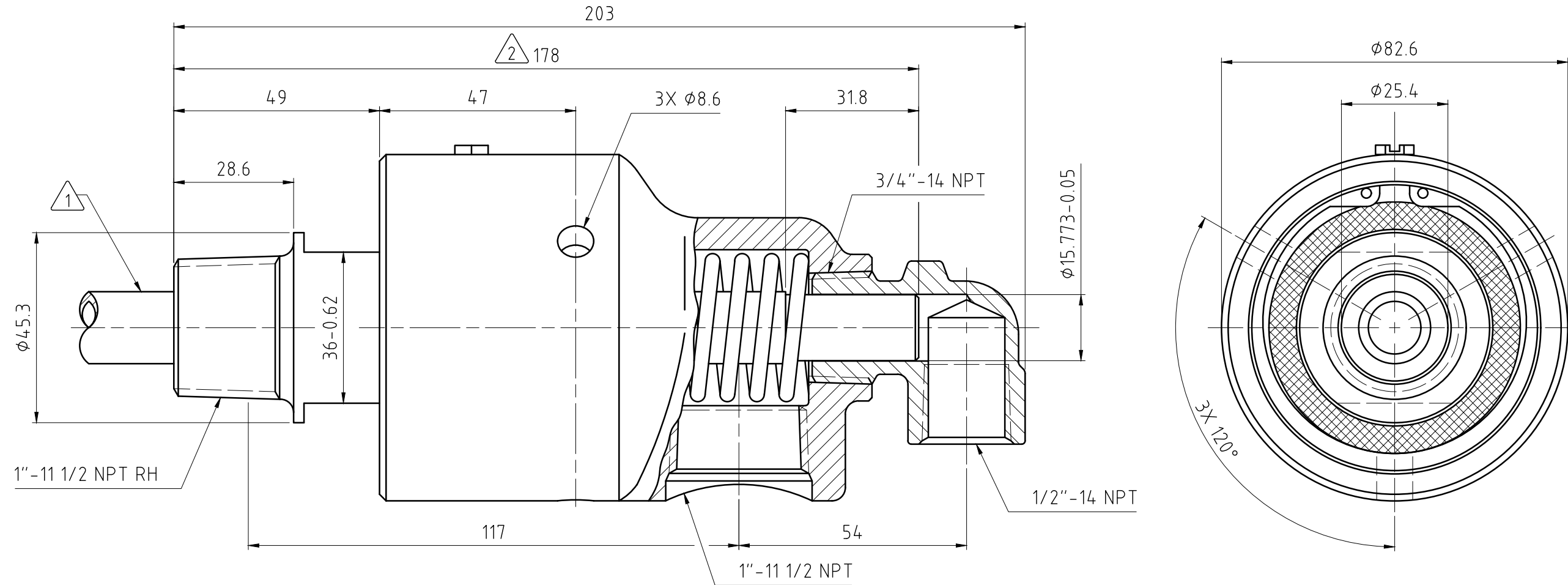


NOTES:

- ① - PIPE SUPPLIED BY CUSTOMER. PIPE SIZE: 3/8"
- ② - PIPE LENGTH.

CONFIDENTIAL
 THIS DOCUMENT CONTAINS CONFIDENTIAL AND PROPRIETARY
 INFORMATION OF DEUBLIN COMPANY. COPYING, USE,
 TRANSMISSION, DISTRIBUTION, AND DISCLOSURE ARE SUBJECT
 TO THE TERMS AND CONDITIONS CONTAINED IN YOUR
 AGREEMENT WITH DEUBLIN COMPANY. ALL RIGHTS RESERVED.



OPERATING DATA		
MEDIA	WATER	
MAX WATER PRESSURE	150 PSI	10 bar
MAX WATER TEMP.	200°F	93°C
MAX SPEED	1500 RPM	1500/min

		PROJECTION: 	SCALE: 1:1 MATERIAL:
DATE: 04/20/2010 NAME: MOORERA		TITLE: INTERFACE CONTROL DRAWING FOR UNION 357-000-002163	
DRN. 04/20/2010 ENGR. MOORERA APPD.		NO. 357-000-002163	
UNLESS SPECIFICALLY TOLERANCED, ALL DIMENSIONS ARE CONSIDERED REFERENCE		SHEET A3	
ISSUE	MODIFICATION	ECO	DATE
			SIGN