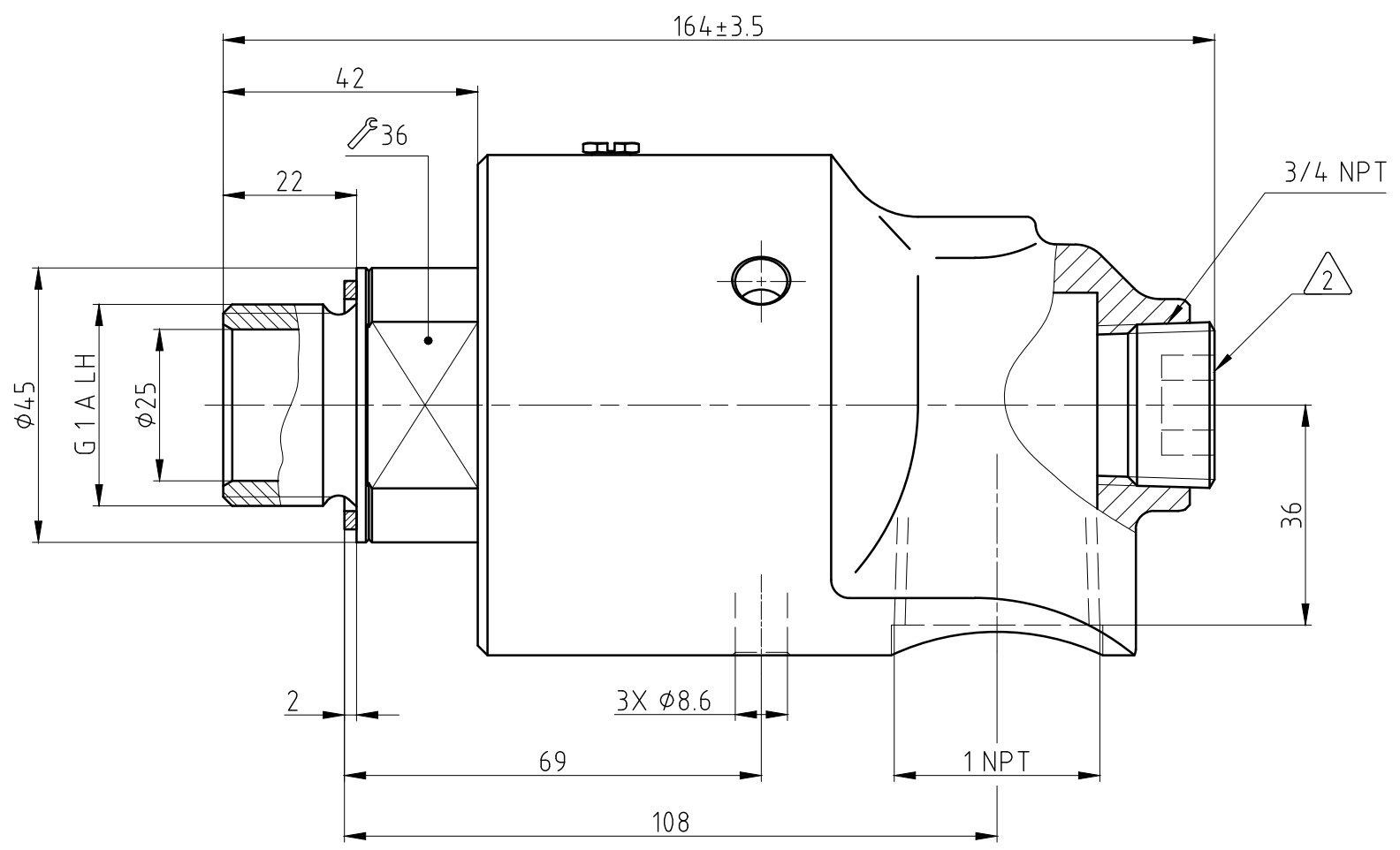
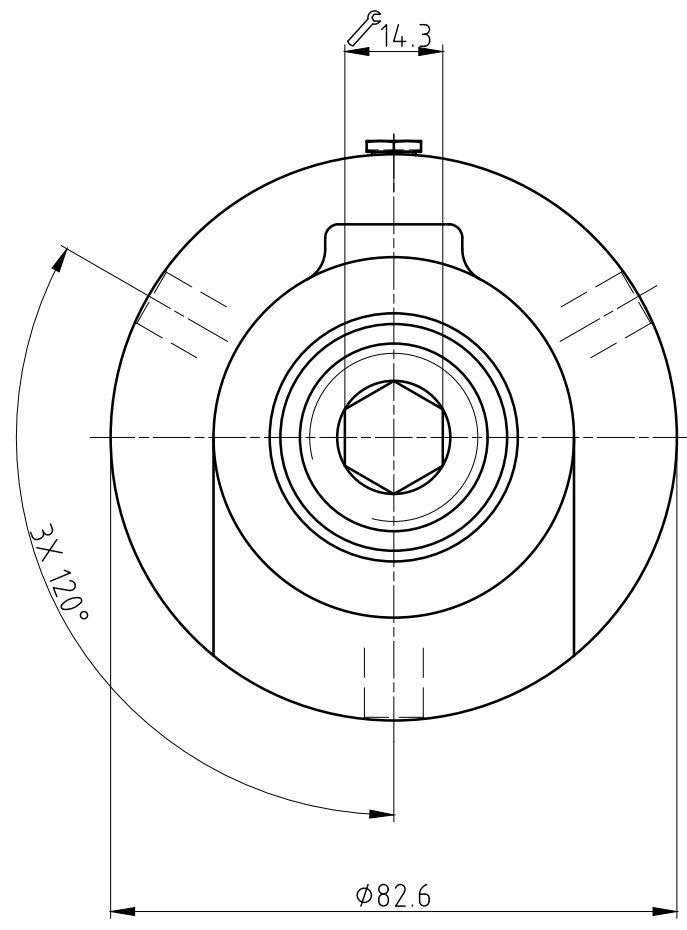


CONFIDENTIAL
 THIS DOCUMENT CONTAINS CONFIDENTIAL AND PROPRIETARY
 INFORMATION OF DEUBLIN COMPANY. COPYING, USE,
 TRANSMISSION, DISTRIBUTION, AND DISCLOSURE ARE SUBJECT
 TO THE TERMS AND CONDITIONS CONTAINED IN YOUR
 AGREEMENT WITH DEUBLIN COMPANY. ALL RIGHTS RESERVED.

NOTES:

1 - CONTACT DEUBLIN OR VISIT WWW.DEUBLIN.COM
 FOR INSTRUCTION MANUAL: 040-550

2 - PLUG INSTALLED HAND TIGHT FROM FACTORY. IF PORT IS NOT UTILIZED,
 TIGHTEN BEFORE USE.



OPERATING DATA

MEDIA	WATER
PRESSURE MAX.	10 bar
SPEED MAX.	3000 min ⁻¹
TEMPERATURE MAX.	90 °C
DRY RUN (WITHOUT ANY MEDIA)	NO

		PROJECTION: 	SCALE: 1:1 MATERIAL: INTERFACE CONTROL DRAWING			
		DATE: 05.08.2015 NAME: CD	TITLE: DEUBLIN ROTATING UNION DEUBLIN Drehdurchführung			
		ENGR. 06.08.2015 NAME: CW				
		APPD.				
		NO. 357-000-223				
		SHEET A3				
ISSUE	MODIFICATION	ECO	DATE	SIGN	UNLESS SPECIFICALLY TOLERANCED, ALL DIMENSIONS ARE CONSIDERED REFERENCE	