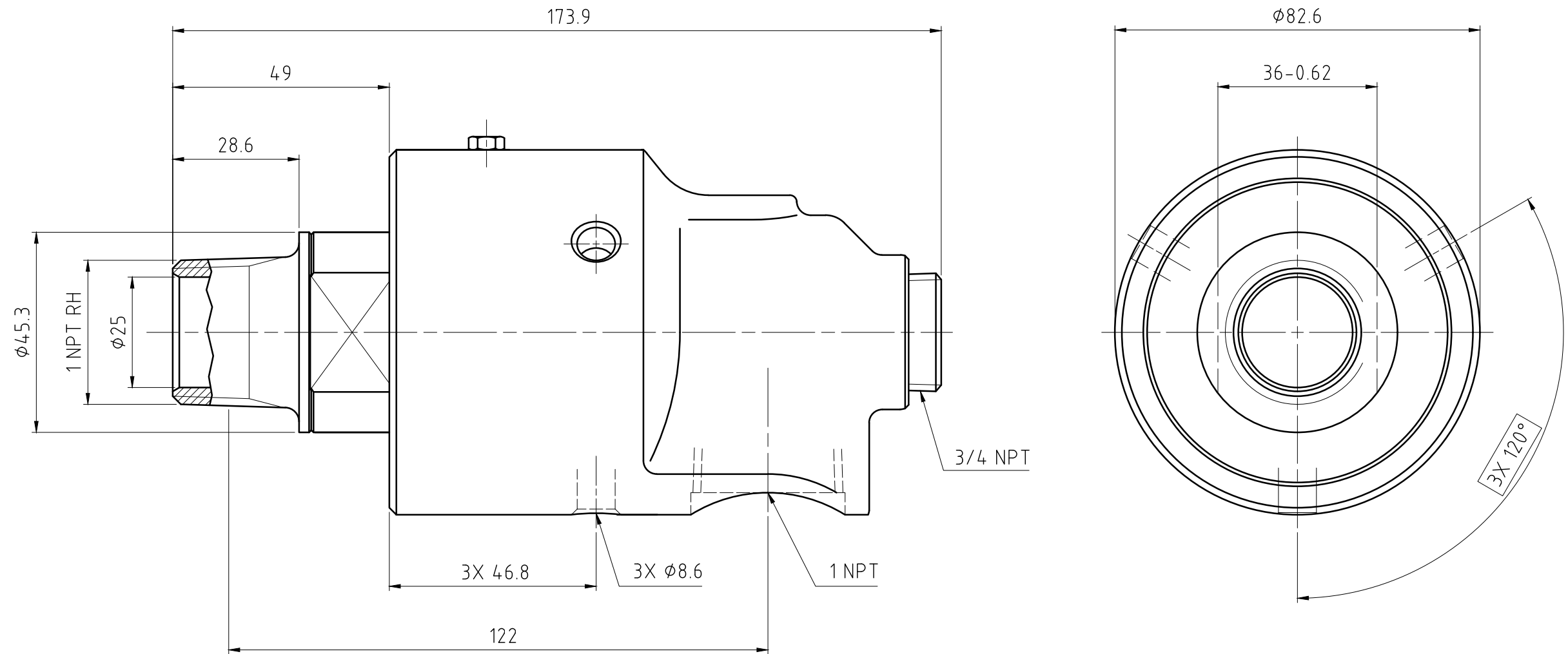


CONFIDENTIAL  
 THIS DOCUMENT CONTAINS CONFIDENTIAL AND PROPRIETARY  
 INFORMATION OF DEUBLIN COMPANY. COPYING, USE,  
 TRANSMISSION, DISTRIBUTION, AND DISCLOSURE ARE SUBJECT  
 TO THE TERMS AND CONDITIONS CONTAINED IN YOUR  
 AGREEMENT WITH DEUBLIN COMPANY. ALL RIGHTS RESERVED.



OPERATING DATA

MEDIA	WATER
PRESSURE MAX.	10 bar
TEMPERATURE MAX.	90 °C
SPEED MAX:	1500 min <sup>-1</sup>
DRY RUN	NO

		PROJECTION:	SCALE: 1:1
			MATERIAL: INTERFACE CONTROL DRAWING
		DATE	NAME
		DRN. 02/16/11	N. Reyna
		ENGR. 02/16/11	S. Stasi
		APPD.	
		TITLE: DEUBLIN UNION	
		NO. 357-050-002	
		SHEET A3	
ISSUE	MODIFICATION	ECO	DATE
			SIGN
UNLESS SPECIFICALLY TOLERANCED, ALL DIMENSIONS ARE CONSIDERED REFERENCE			