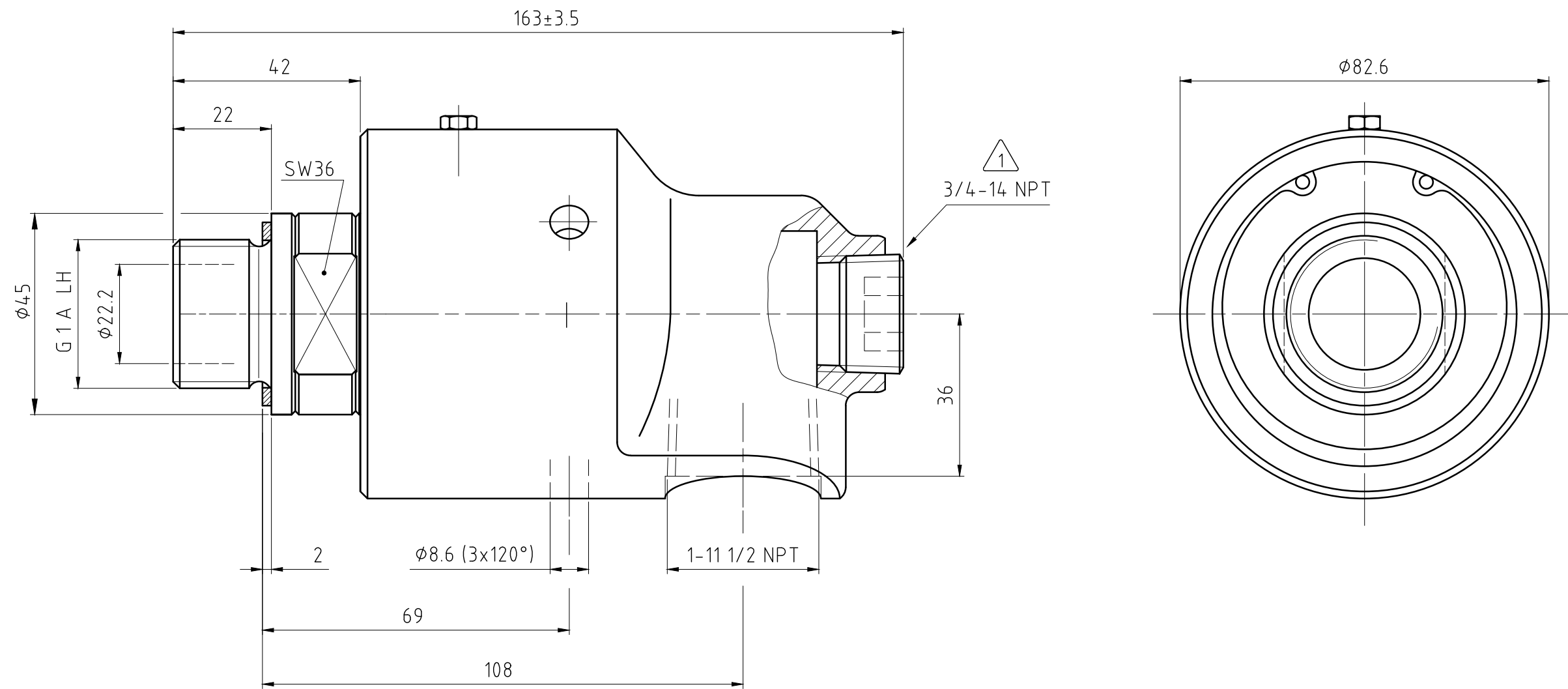


CONFIDENTIAL
 THIS DOCUMENT CONTAINS CONFIDENTIAL AND PROPRIETARY
 INFORMATION OF DEUBLIN COMPANY. COPYING, USE,
 TRANSMISSION, DISTRIBUTION, AND DISCLOSURE ARE SUBJECT
 TO THE TERMS AND CONDITIONS CONTAINED IN YOUR
 AGREEMENT WITH DEUBLIN COMPANY. ALL RIGHTS RESERVED.

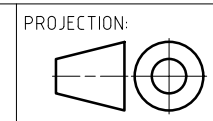
NOTES:

① - PLUG INSTALLED HAND TIGHT FROM FACTORY. IF PORT IS NOT UTILIZED,
 TIGHTEN BEFORE USE.



OPERATING DATA

MEDIA	WATER	
p max.	150 PSI	10 bar
t max.	200 °F	90 °C
n max.	3000 RPM	3000 1/min
FILTRATION	60 µm	
DRY RUN	NOT POSSIBLE	



PROJECTION: 1:1
 SCALE: 1:1
 MATERIAL: INTERFACE CONTROL DRAWING

DATE	NAME	TITLE:					
DRN. 05/05/11	RM	DEUBLIN UNION					
ENGR. 04/11	SS						
APPD.							
ISSUE	MODIFICATION	ECO	DATE	SIGN	UNLESS SPECIFICALLY TOLERANCED, ALL DIMENSIONS ARE CONSIDERED REFERENCE	NO.	SHEET
						357-050-223	A3