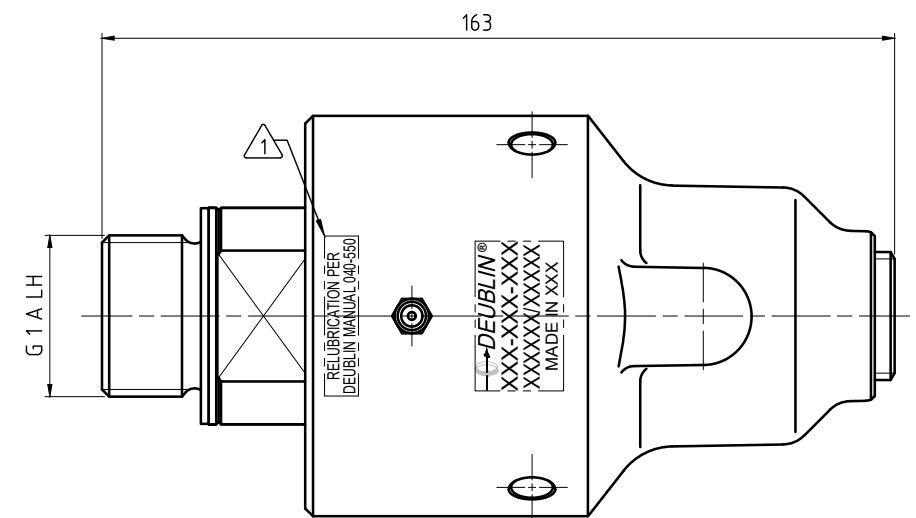
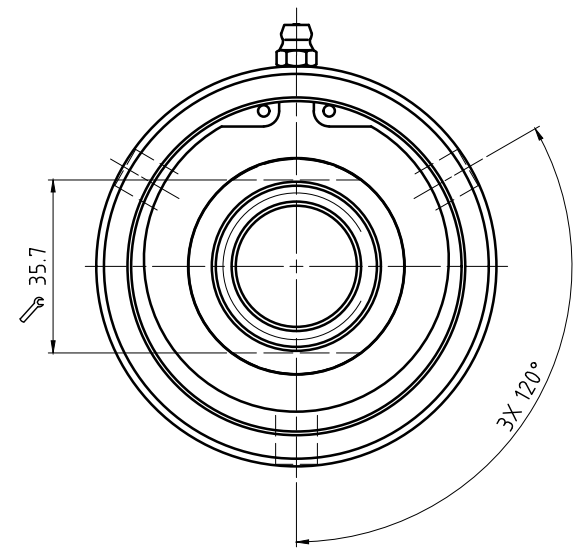
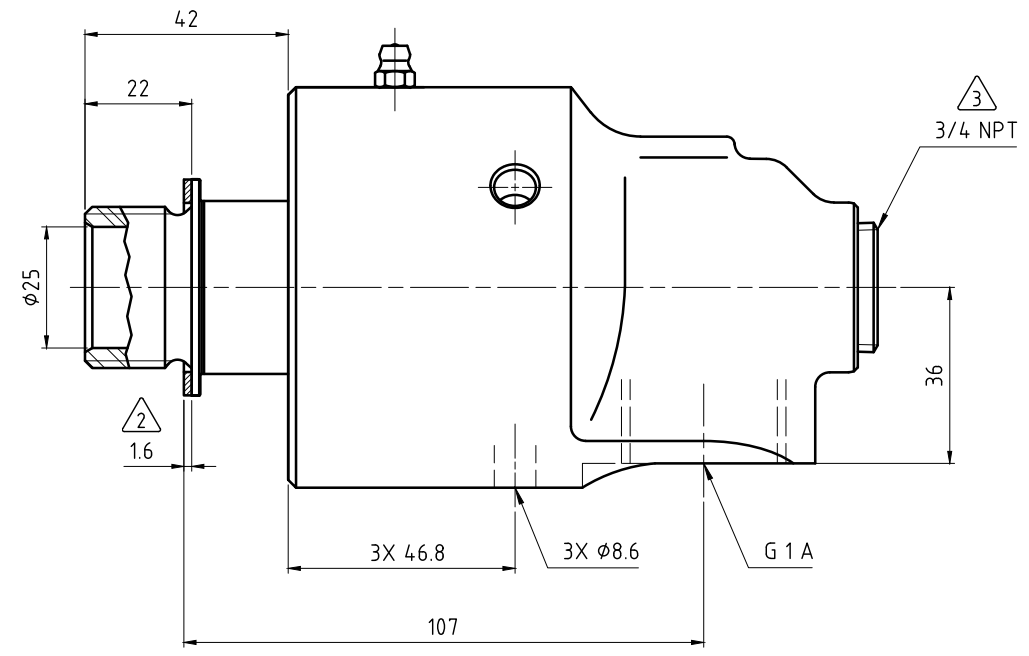
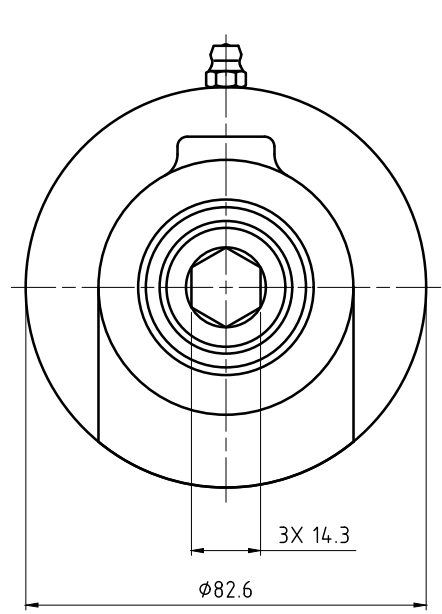


CONFIDENTIAL
 The reproduction, distribution and utilization of this document as well as the communication of its contents to others without express authorization is prohibited. Offenders will be held liable for the payment of damages. All rights reserved in the event of the grant of a patent, utility model or design.

NOTES:

- ① - CONTACT DEUBLIN OR VISIT WWW.DEUBLIN.COM FOR INSTRUCTION MANUAL: 040-550.
- ② - GASKET THICKNESS.
- ③ - PLUG INSTALLED HAND TIGHT FROM FACTORY. IF PORT IS NOT UTILIZED, TIGHTEN BEFORE USE.



OPERATING DATA / Betriebsdaten		
MEDIA / Medium	WATER / Wasser	
p max.	750 PSI	50 bar
t max.	250 °F	121 °C
n max.	3000 RPM	3000 1/min
FILTRATION/Filterung	60 µm	
DRY RUN/Trockenlauf	NOT POSSIBLE/nicht möglich	

	PROJECTION:	SCALE: 1:1	MATERIAL: INTERFACE CONTROL DRAWING		
	DATE	NAME	TITLE:		
	DRN. 03/24/20	N. Reyna	ROTAING UNION		
	ENGR. 03/24/20	R. Mika			
	APPD.				
	UNLESS SPECIFICALLY TOLERANCED, ALL DIMENSIONS ARE CONSIDERED REFERENCE		NO. 357-130-223		
ISSUE	MODIFICATION	ECO	DATE	SIGN	SHEET A3