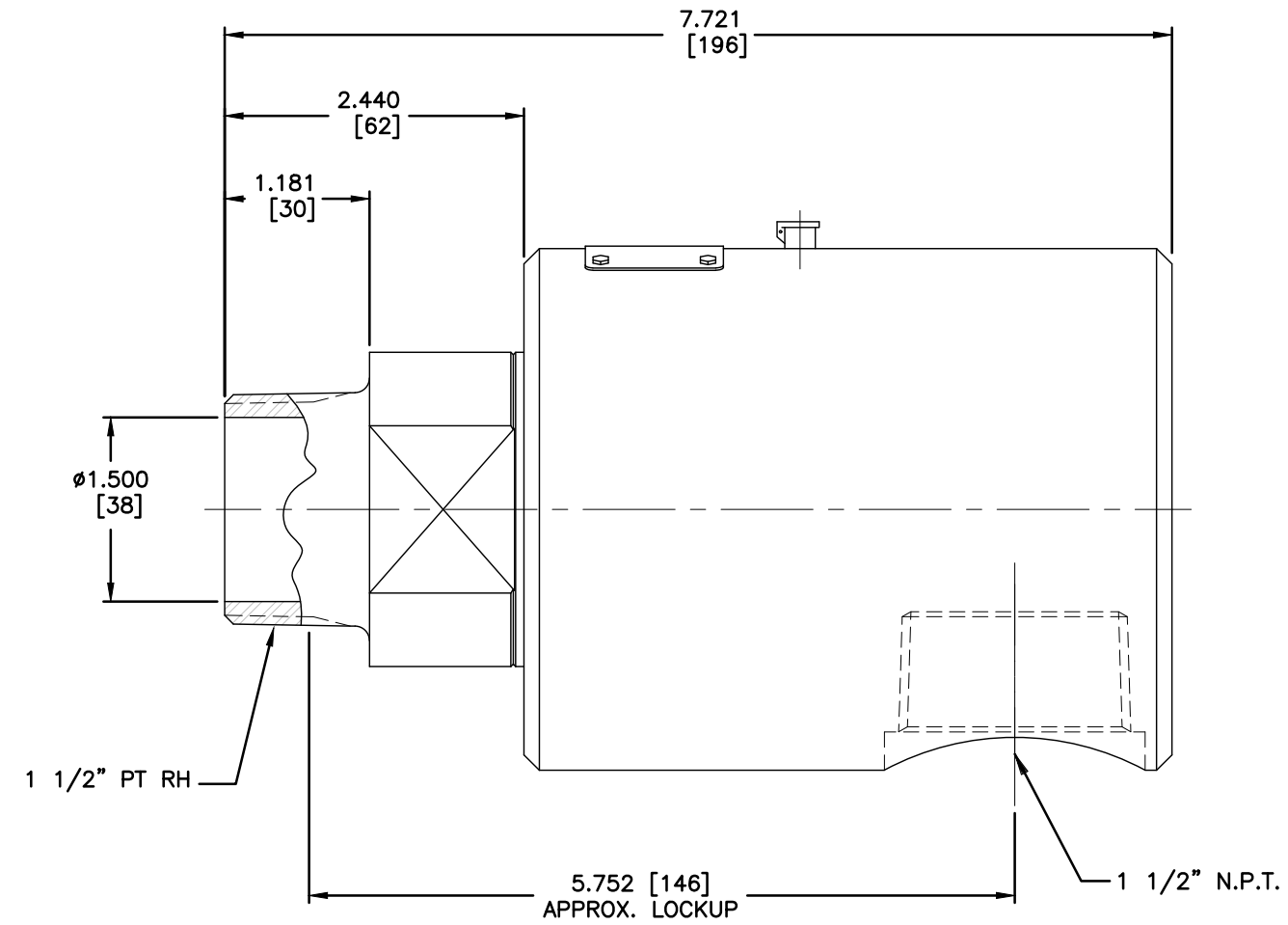
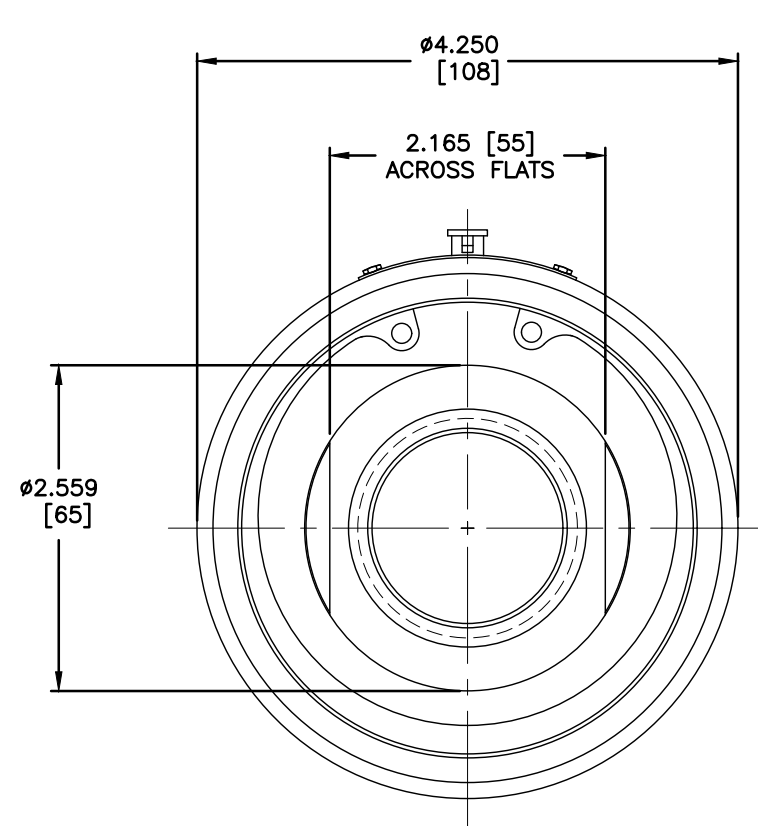


NOTES:

1 - WHEN ORDERING FROM DEUBLIN USE PART NUMBER: 452-000-515.

DWG. NO. 452-000-515-IC



OPERATING DATA		
MEDIA	AIR & HYDRAULIC	
MAX AIR PRESSURE	150 PSI	10 bar
MAX VACUUM	28" Hg	6.7 kPa
MAX HYD. PRESSURE	750 PSI	50 bar
MAX SPEED	1500 RPM	1500/min
MAX TEMPERATURE	250°F	121°C

CONFIDENTIAL  
 THIS DOCUMENT CONTAINS CONFIDENTIAL AND PROPRIETARY INFORMATION OF DEUBLIN COMPANY. COPYING, USE, TRANSMISSION, DISTRIBUTION, AND DISCLOSURE ARE SUBJECT TO THE TERMS AND CONDITIONS CONTAINED IN YOUR AGREEMENT WITH DEUBLIN COMPANY. ALL RIGHTS RESERVED.

LET.	REVISION	ECO	DATE	SIGN

UNLESS SPECIFICALLY TOLERANCED, ALL DIMENSIONS ARE REFERENCE  
 DIMENSIONS IN [ ] ARE IN MILLIMETERS.

DEUBLIN COMPANY  
 WAUKEGAN, ILLINOIS, U.S.A.  
 TITLE: INTERFACE CONTROL  
 DRAWING FOR DEUBLIN  
 UNION 452-000-515  
 DWG. NO. 452-000-515-IC  
 C.A.D. DRAWING