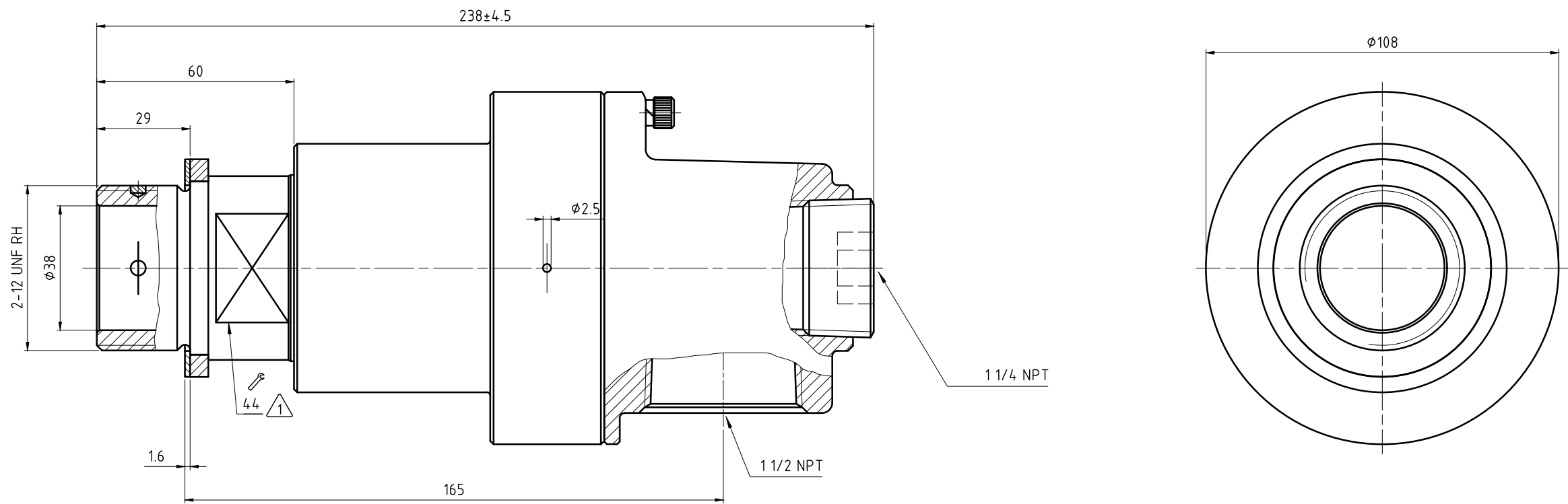


CONFIDENTIAL
 THIS DOCUMENT CONTAINS CONFIDENTIAL AND PROPRIETARY
 INFORMATION OF DEUBLIN COMPANY. COPYING, USE,
 TRANSMISSION, DISTRIBUTION, AND DISCLOSURE ARE SUBJECT
 TO THE TERMS AND CONDITIONS CONTAINED IN YOUR
 AGREEMENT WITH DEUBLIN COMPANY. ALL RIGHTS RESERVED.

NOTES:
 1 - ACROSS FLATS.



OPERATING DATA	
MEDIA	WATER
PRESSURE MAX.	10 bar
SPEED MAX.	100 min ⁻¹
TEMPERATURE MAX.	120 °C
DRY RUN (WITHOUT ANY MEDIA)	NO

		PROJECTION:	SCALE: 1:1
		DATE: 07.05.2013 NAME: AF	MATERIAL: INTERFACE CONTROL DRAWING
		ENGR. 07.05.2013 NAME: CW	TITLE: DEUBLIN ROTATING UNION DEUBLIN Drehdurchführung
		APPD.	NO. 5150-001-101
ISSUE	MODIFICATION	ECO	DATE
			SIGN
UNLESS SPECIFICALLY TOLERANCED, ALL DIMENSIONS ARE CONSIDERED REFERENCE			SHEET A2