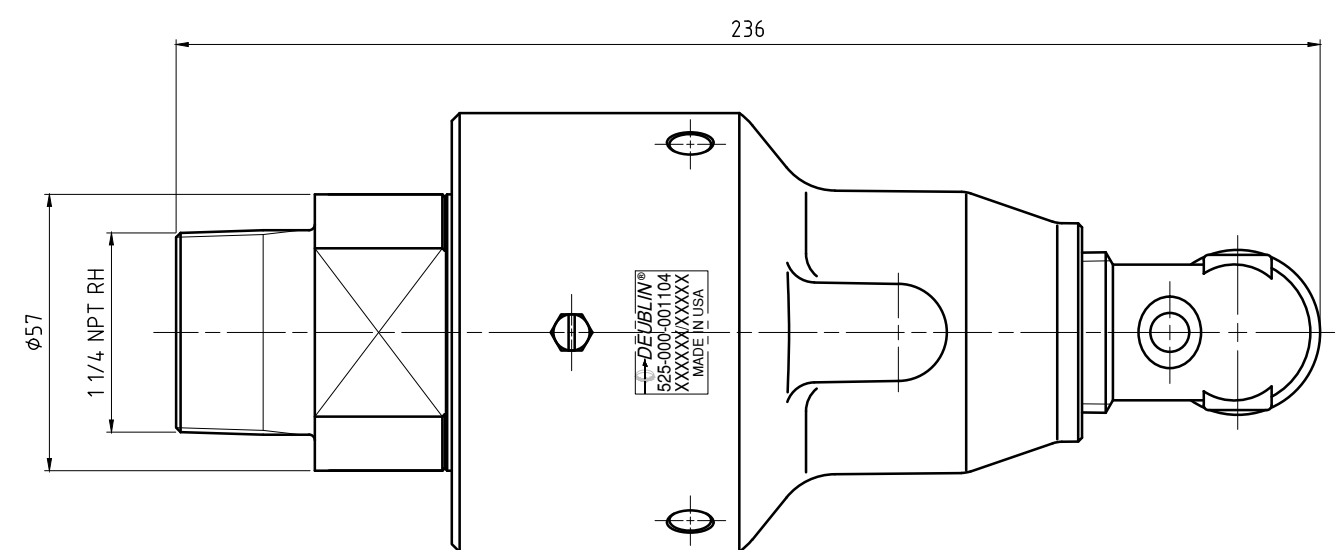
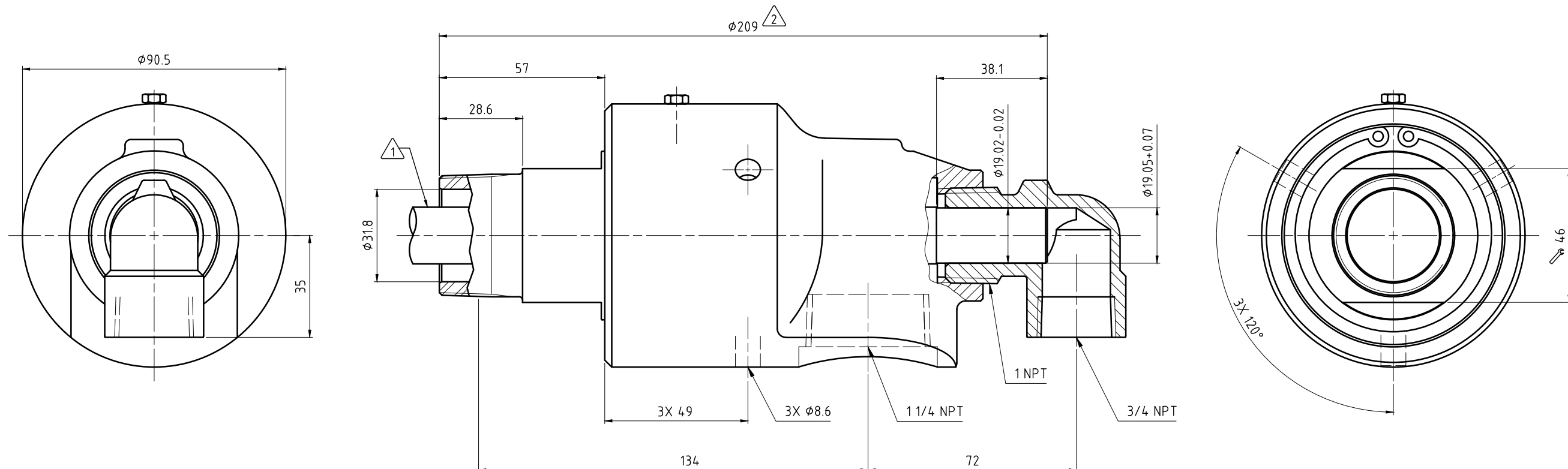


CONFIDENTIAL
 THIS DOCUMENT CONTAINS CONFIDENTIAL AND PROPRIETARY INFORMATION OF DEUBLIN COMPANY. COPYING, USE, TRANSMISSION, DISTRIBUTION, AND DISCLOSURE ARE SUBJECT TO THE TERMS AND CONDITIONS CONTAINED IN YOUR AGREEMENT WITH DEUBLIN COMPANY. ALL RIGHTS RESERVED.

NOTES:

- ① - TUBE SUPPLIED BY CUSTOMER. TUBE SIZE: 3/4"
- ② - TUBE LENGTH.



OPERATING DATA / Betriebsdaten		
MEDIA Medium	WATER	Wasser
MAXIMUM PRESSURE Max. Druck	750 PSI *	50 bar *
MINIMUM OPERATING TEMPERATURE Min. Betriebstemperatur	°F	°C
MAXIMUM OPERATING TEMPERATURE Max. Betriebstemperatur	250 °F	120 °C
MAXIMUM SPEED Max. Drehzahl	2500 RPM	2500 min ⁻¹
FILTRATION Filterung	60 µm	60 µm
DRY RUN (WITHOUT ANY MEDIA) Trockenlauf (ohne Medium)	NO	nein
* PRESSURES EXCEEDING 115 PSI ONLY PERMISSIBLE WITH COLD WATER (MAX. 120°F) * Drücke über 8 bar nur in Verbindung mit Kaltwasser (max. 50°C) zulässig!		

	PROJECTION:	SCALE: 1:1	MATERIAL: INTERFACE CONTROL DRAWING
	DATE	NAME	TITLE:
	DRN. 08/18/16	N. Reyna	DEUBLIN ROTATING UNION
	ENGR. 08/18/16	T. Wilson	
	APPD.		
	UNLESS SPECIFICALLY TOLERANCED, ALL DIMENSIONS ARE CONSIDERED REFERENCE	NO.	SHEET
ISSUE MODIFICATION	ECO	DATE	SIGN
		525-000-001104	A3