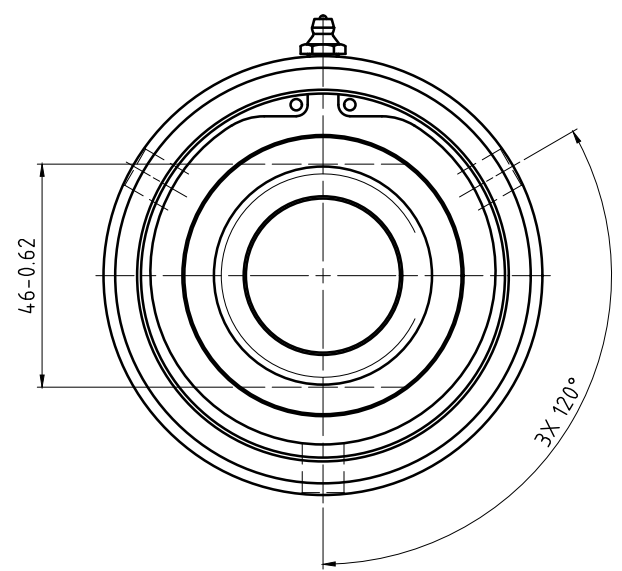
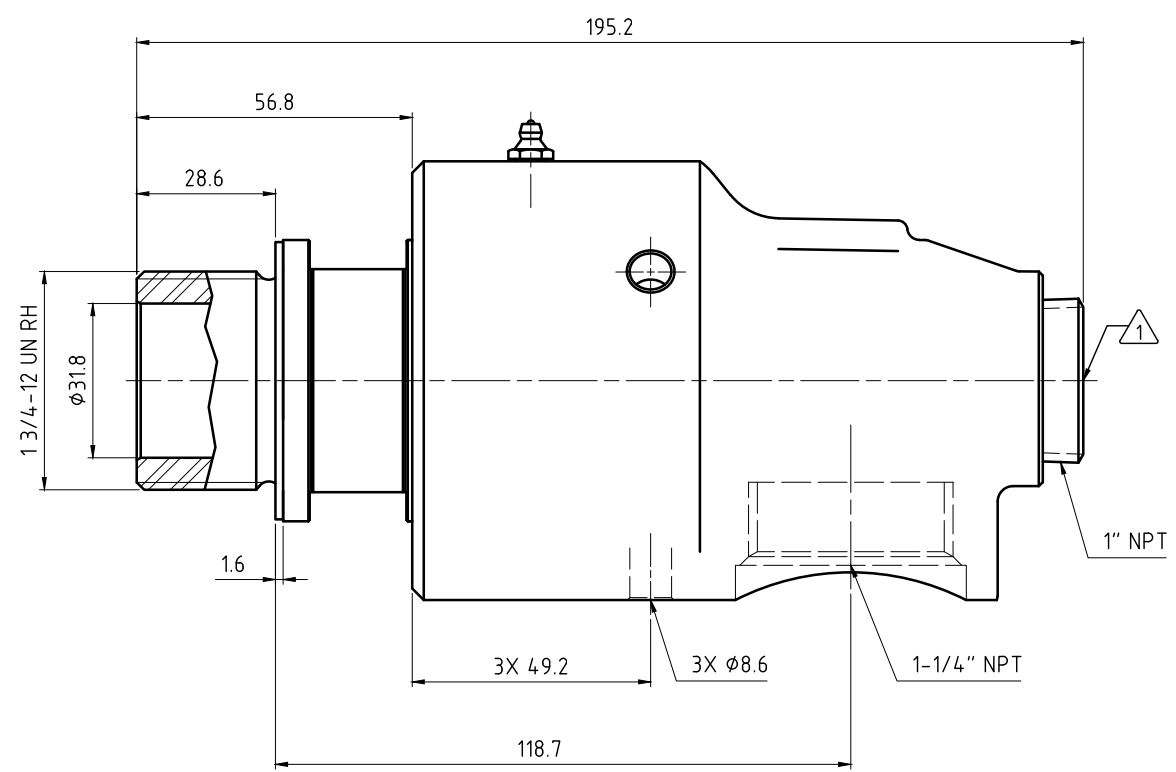
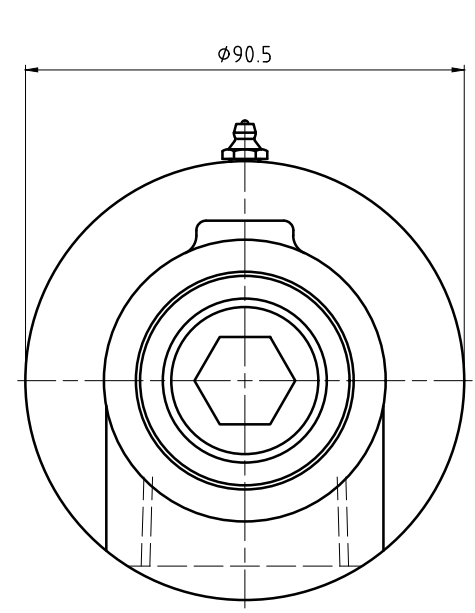


CONFIDENTIAL
 THIS DOCUMENT CONTAINS CONFIDENTIAL AND PROPRIETARY
 INFORMATION OF DEUBLIN COMPANY. COPYING, USE,
 TRANSMISSION, DISTRIBUTION, AND DISCLOSURE ARE SUBJECT
 TO THE TERMS AND CONDITIONS CONTAINED IN YOUR
 AGREEMENT WITH DEUBLIN COMPANY. ALL RIGHTS RESERVED.

NOTES:

① - PLUG INSTALLED HAND TIGHT FROM FACTORY. IF PORT IS NOT UTILIZED,
 TIGHTEN BEFORE USE.



OPERATING DATA		
MEDIA	WATER	
MAX WATER PRESSURE	750 PSI	51 bar
MAX WATER TEMP.	250°F	121°C
MAX SPEED	2500 RPM	2500/min

		PROJECTION:	SCALE: 1:1
		DATE: 07/06/11 NAME: N. Reyna	MATERIAL: INTERFACE CONTROL DRAWING
		DATE: 07/06/11 NAME: T. Wilson	TITLE: DEUBLIN UNION
		APPD.	NO. 525-000-026
UNLESS SPECIFICALLY TOLERANCED, ALL DIMENSIONS ARE CONSIDERED REFERENCE		SHEET A2	
ISSUE	MODIFICATION	ECO	DATE
			SIGN