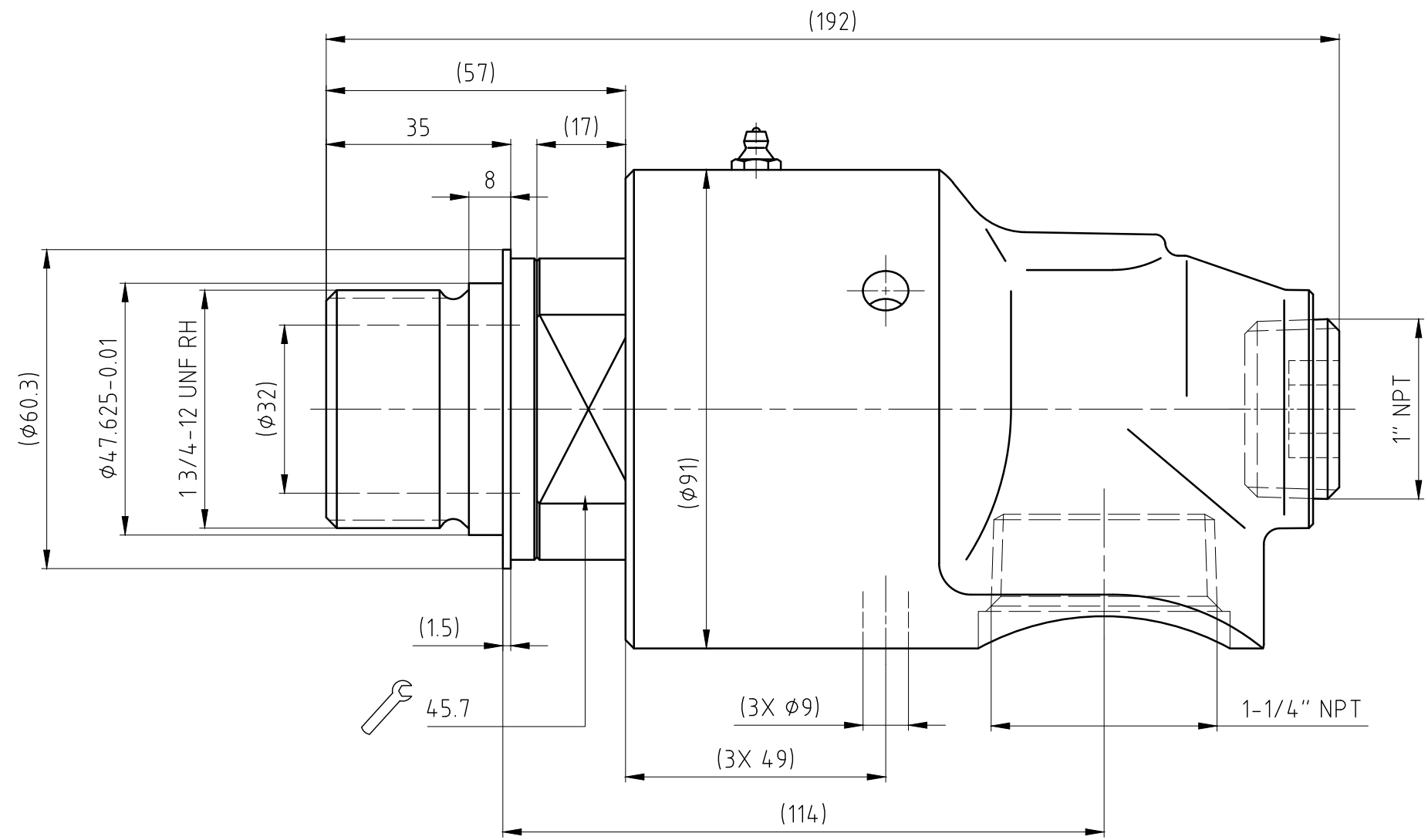
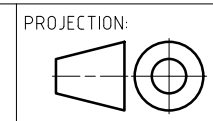


CONFIDENTIAL  
 THIS DOCUMENT CONTAINS CONFIDENTIAL AND PROPRIETARY  
 INFORMATION OF DEUBLIN COMPANY. COPYING, USE,  
 TRANSMISSION, DISTRIBUTION AND DISCLOSURE ARE SUBJECT  
 TO THE TERMS AND CONDITIONS CONTAINED IN YOUR  
 AGREEMENT WITH DEUBLIN COMPANY. ALL RIGHTS RESERVED.



OPERATING DATA

| MEDIA                       | ★ WATER  | SATURATED STEAM<br>(INTERMITTENT) | HOT OIL                |
|-----------------------------|--|-----------------------------------|------------------------|
| PRESSURE MAX.               | 50 bar   | 1 bar                             | 6.6 bar                |
| SPEED MAX.                  | 2500 min <sup>-1</sup>   | 2500 min <sup>-1</sup>            | 2500 min <sup>-1</sup> |
| TEMPERATURE MAX.            | 120 °C   | 120 °C                            | 120 °C                 |
| DRY RUN (WITHOUT ANY MEDIA) | NO   |                                   |                        |
| ADDITIONAL INFORMATION      | ★ PRESSURES EXCEEDING 8 bars<br>ONLY PERMISSIBLE WITH COLD WATER (50°C MAX.) |                                   |                        |



PROJECTION: SCALE: 1:1 MATERIAL:

| ISSUE | MODIFICATION | ECO | DATE | SIGN | DATE     | NAME |
|-------|--------------|-----|------|------|----------|------|
|       |              |     |      |      | 02/21/12 | GA   |
|       |              |     |      |      |          |      |
|       |              |     |      |      |          |      |

TITLE: INTERFACE CONTROL DRAWING  
 DEUBLIN UNION 525-000-031

NO. 525-000-031 SHEET A2

UNLESS SPECIFICALLY TOLERANCED, ALL DIMENSIONS ARE CONSIDERED REFERENCE