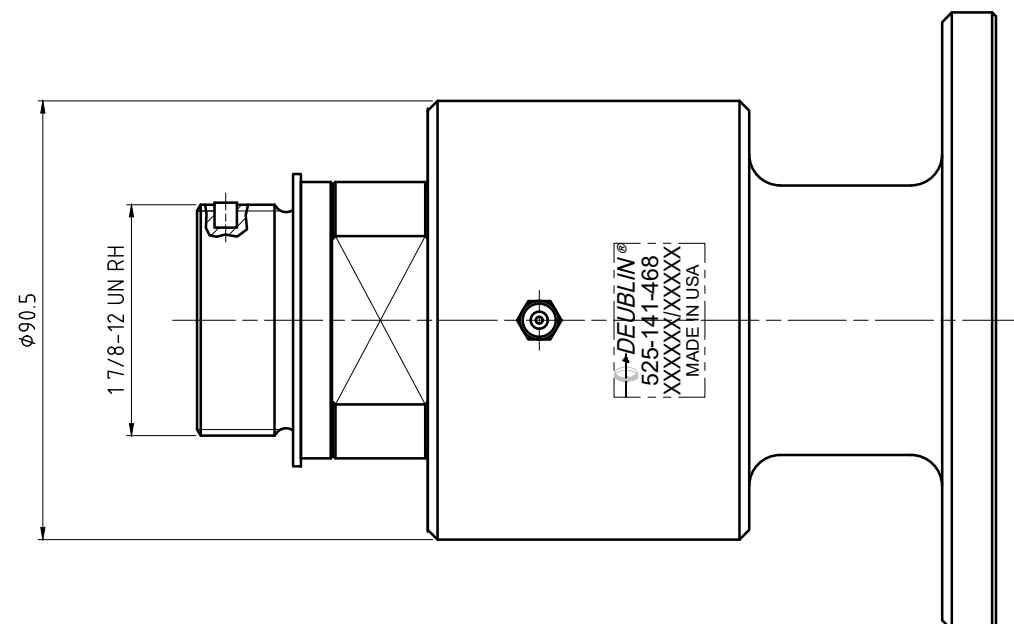
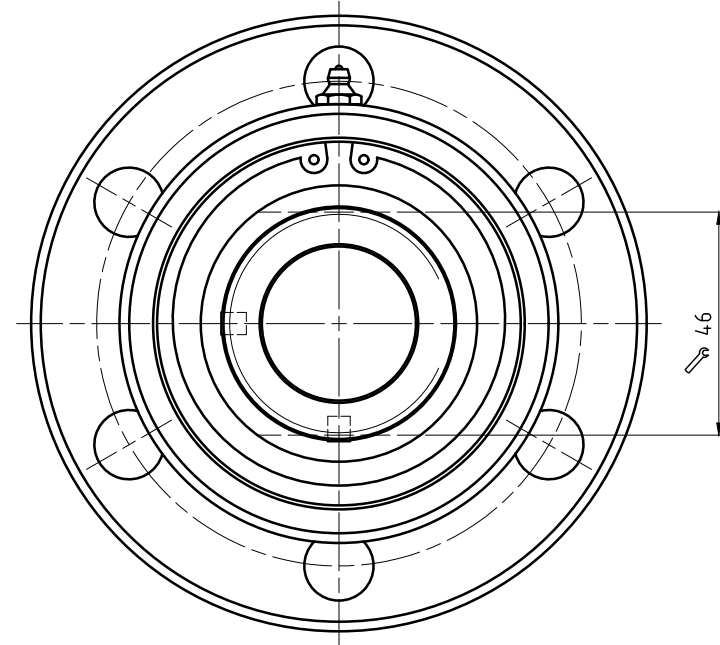
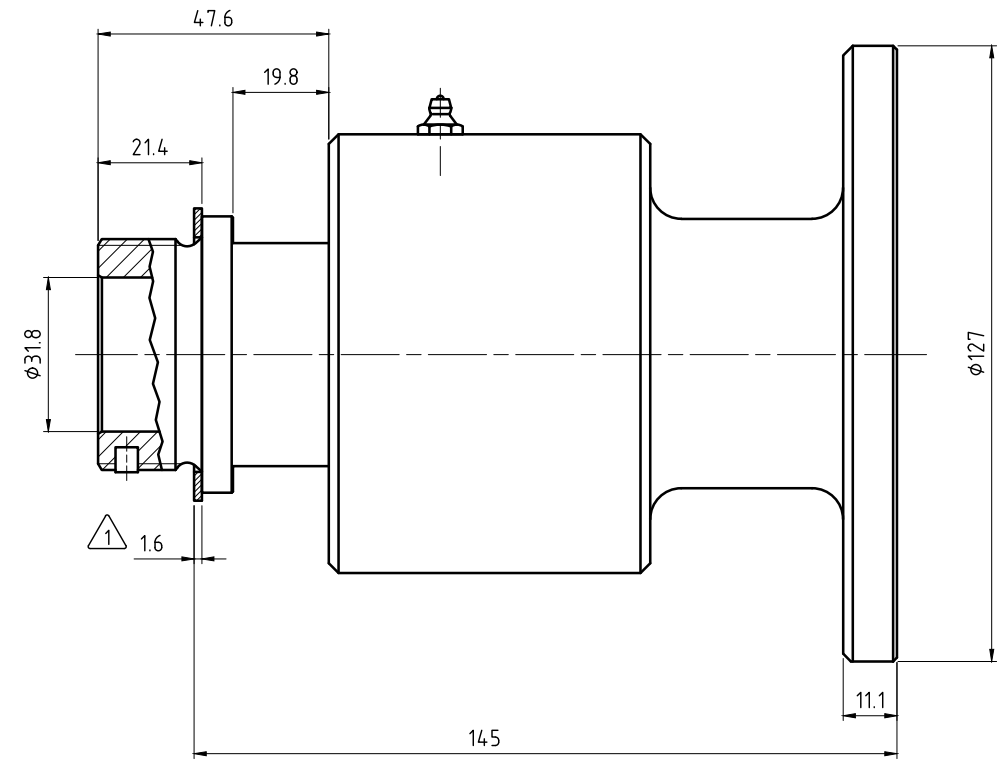
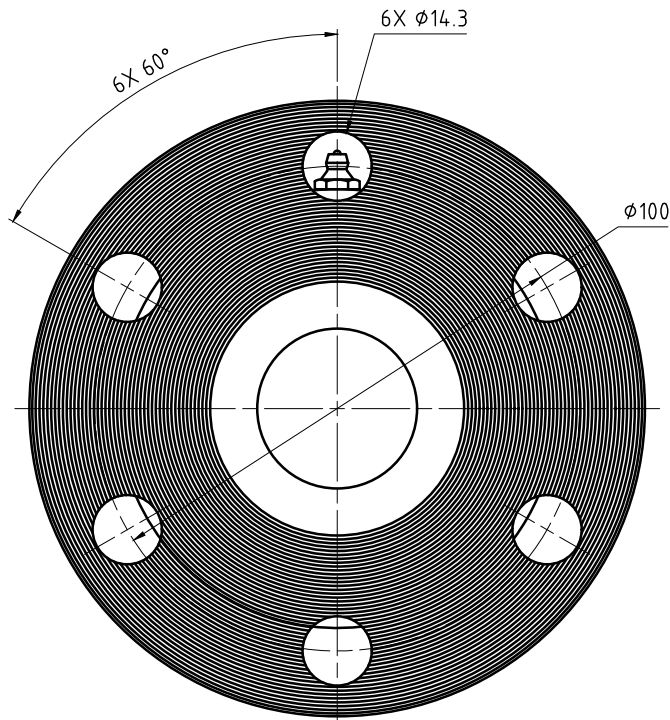


CONFIDENTIAL  
 THIS DOCUMENT CONTAINS CONFIDENTIAL AND PROPRIETARY  
 INFORMATION OF DEUBLIN COMPANY. COPYING, USE,  
 TRANSMISSION, DISTRIBUTION, AND DISCLOSURE ARE SUBJECT  
 TO THE TERMS AND CONDITIONS CONTAINED IN YOUR  
 AGREEMENT WITH DEUBLIN COMPANY. ALL RIGHTS RESERVED.

NOTES:  
 △ - GASKET THICKNESS.



OPERATING DATA		
MEDIA	WATER	
MAX WATER PRESSURE	750 PSI	50 bar
MAX WATER TEMP.	250°F	121°C
MAX SPEED	2500 RPM	2500/min

	PROJECTION:	SCALE: 1:1	TITLE: DEUBLIN UNION
		MATERIAL: INTERFACE CONTROL DRAWING	
	DATE	NAME	NO. 525-141-468
	DRN. 06/07/16	N. Reyna	
	ENGR. 06/07/16	T. Wilson	
	APPD.		SHEET A2
ISSUE MODIFICATION	ECO	DATE	SIGN

UNLESS SPECIFICALLY TOLERANCED, ALL DIMENSIONS ARE CONSIDERED REFERENCE