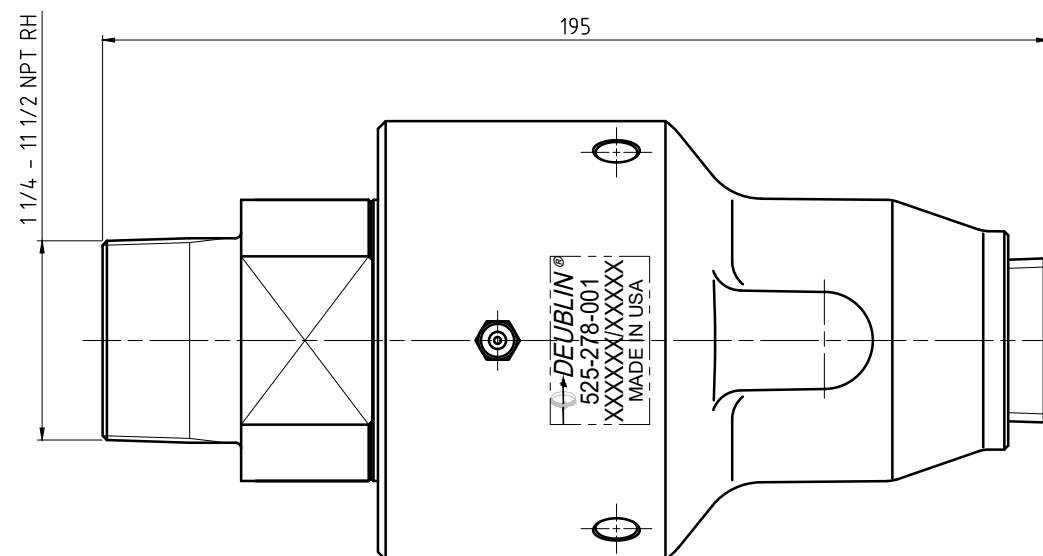
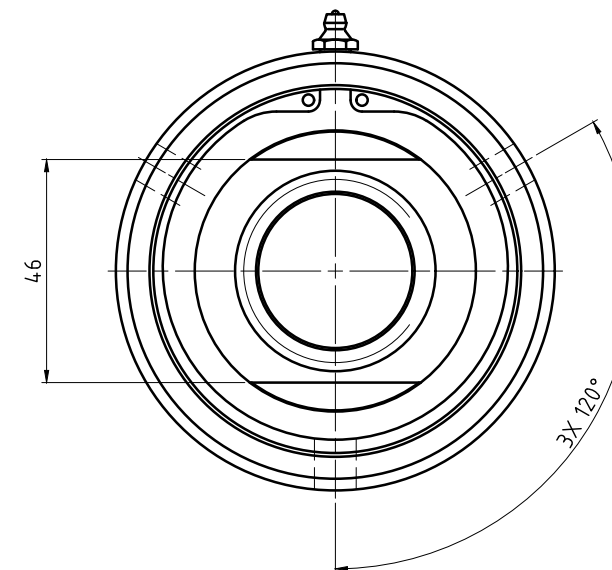
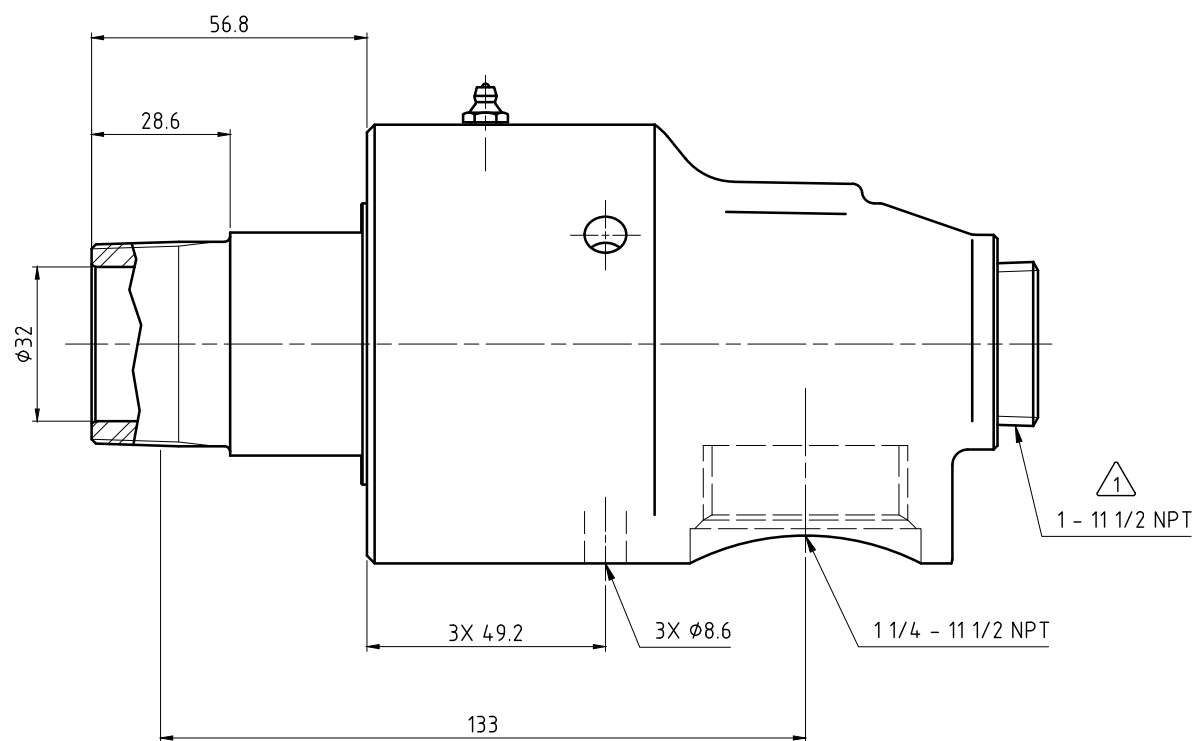
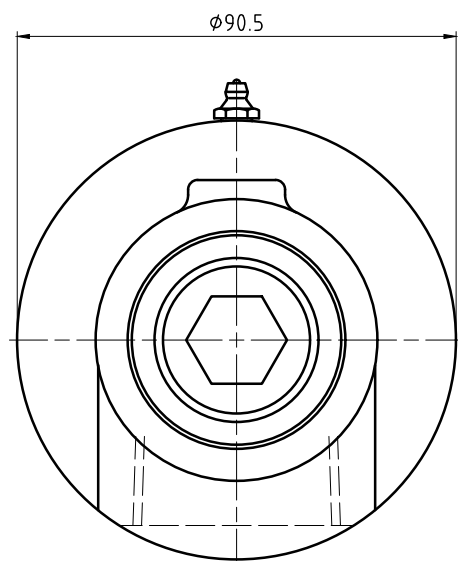


CONFIDENTIAL
 THIS DOCUMENT CONTAINS CONFIDENTIAL AND PROPRIETARY
 INFORMATION OF DEUBLIN COMPANY. COPYING, USE,
 TRANSMISSION, DISTRIBUTION, AND DISCLOSURE ARE SUBJECT
 TO THE TERMS AND CONDITIONS CONTAINED IN YOUR
 AGREEMENT WITH DEUBLIN COMPANY. ALL RIGHTS RESERVED.

NOTES:

1 - PLUG INSTALLED HAND TIGHT FROM FACTORY. IF PORT IS NOT UTILIZED,
 TIGHTEN BEFORE USE.



OPERATING DATA		
MEDIA	WATER	
MAX WATER PRESSURE	750 PSI	50 bar
MAX WATER TEMP.	250°F	121°C
MAX SPEED	1500 RPM	1500/min

	PROJECTION:	SCALE: 1:1	TITLE: DEUBLIN UNION		
		MATERIAL: INTERFACE CONTROL DRAWING			
	DATE	NAME	NO. 525-278-001		
	DRN. 04/13/15	N. Reyna			
	ENGR. 04/13/15	T. Wilson			
	APPD.		SHEET A2		
ISSUE	MODIFICATION	ECO	DATE	SIGN	UNLESS SPECIFICALLY TOLERANCED, ALL DIMENSIONS ARE CONSIDERED REFERENCE