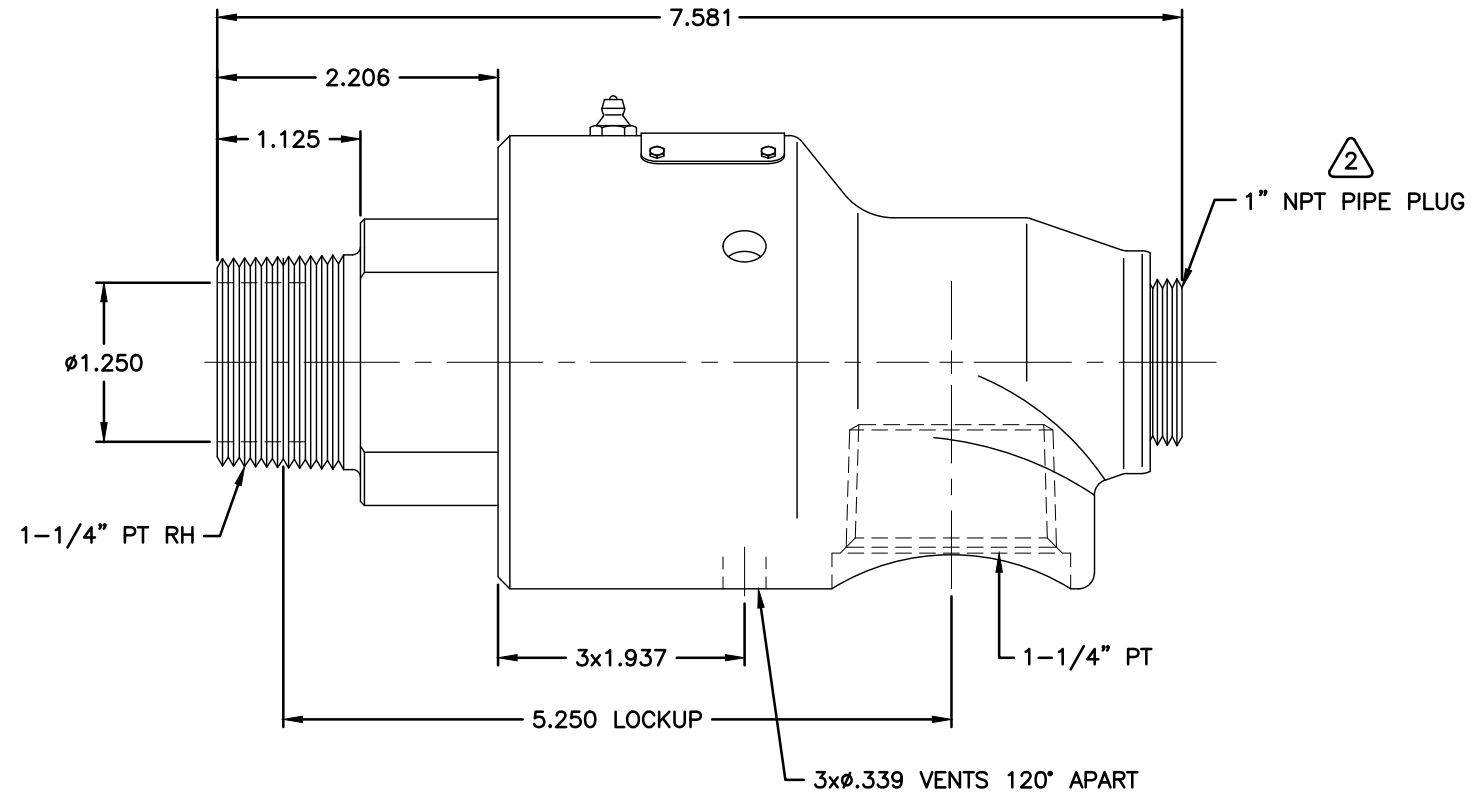
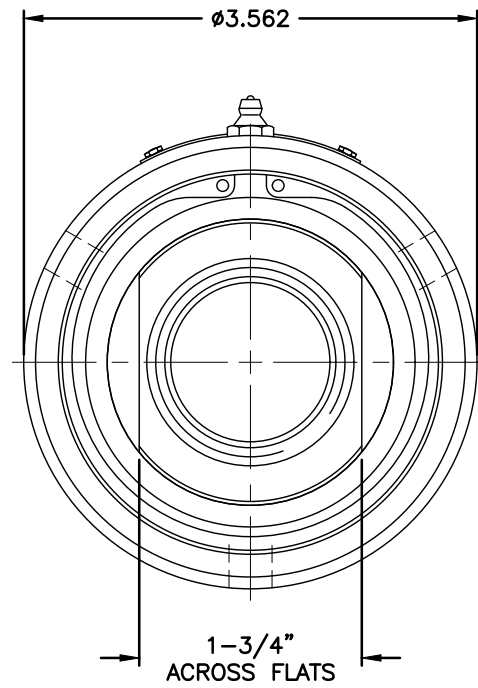


NOTES:

1 - WHEN ORDERING FROM DEUBLIN USE PART NUMBER: 525-900-250.

2 - PLUG INSTALLED HAND TIGHT FROM FACTORY. IF PORT IS NOT UTILIZED, TIGHTEN BEFORE USE.



CONFIDENTIAL
 THIS DOCUMENT CONTAINS CONFIDENTIAL AND PROPRIETARY INFORMATION OF DEUBLIN COMPANY. COPYING, USE, TRANSMISSION, DISTRIBUTION, AND DISCLOSURE ARE SUBJECT TO THE TERMS AND CONDITIONS CONTAINED IN YOUR AGREEMENT WITH DEUBLIN COMPANY. ALL RIGHTS RESERVED.

SCALE	FULL	DWG SIZE	C
DRN	GA	03/17/04	
ENGR			
APPD			
PART NO.			
525-900-250			
CUSTOMER			
LET.	REVISION	ECO	DATE SIGN

UNLESS SPECIFICALLY TOLERANCED, ALL DIMENSIONS ARE REFERENCE
 DIMENSIONS IN [] ARE IN MILLIMETERS.

DEUBLIN COMPANY
 WAUKEGAN, ILLINOIS, U.S.A.

TITLE: INTERFACE CONTROL
 DRAWING FOR DEUBLIN
 UNION 525-900-250

DWG. NO. 525-900-250-IC
 C.A.D. DRAWING