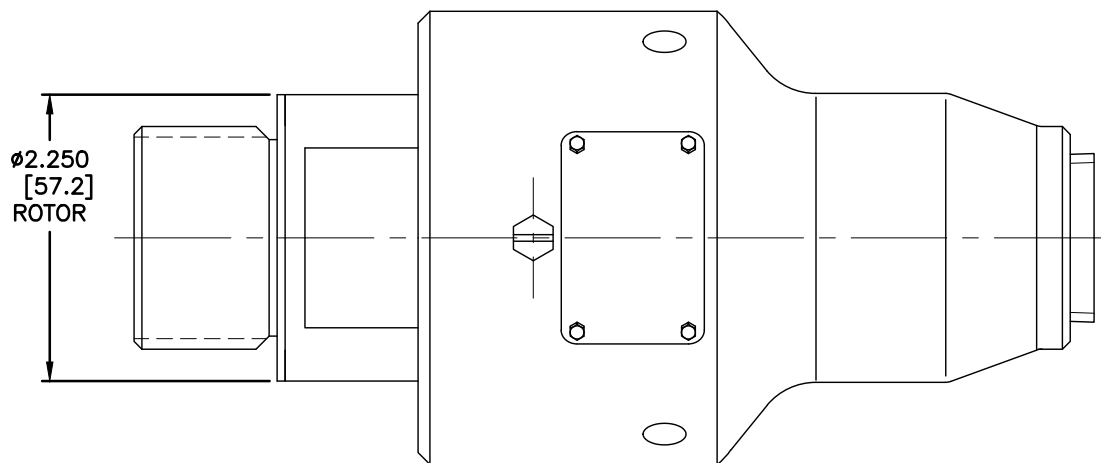


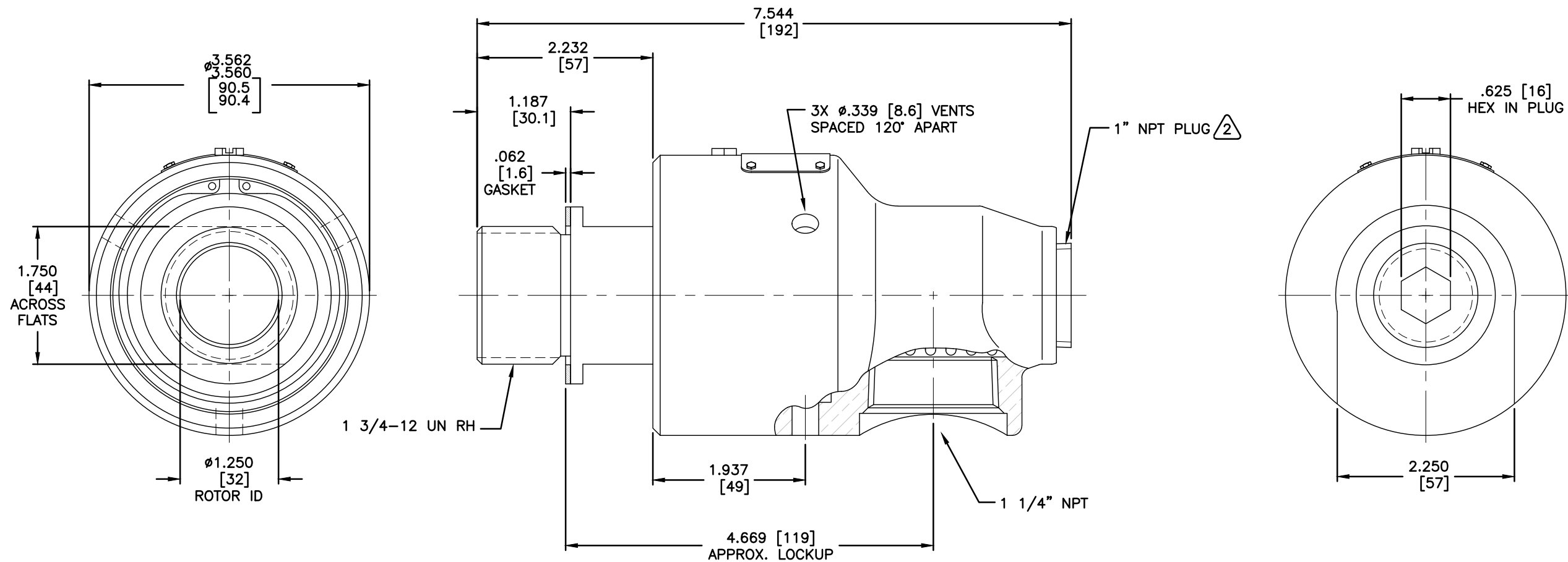
NOTES:

- 1 - WHEN ORDERING FROM DEUBLIN USE PART NUMBER: 527-000-026.
- 2 - PLUG INSTALLED HAND TIGHT FROM FACTORY. IF PORT IS NOT UTILIZED, TIGHTEN BEFORE USE.



**OPERATING DATA:**

WATER SERVICE  
 150 PSI (10 bar) MAX. WATER PRESSURE  
 2500 RPM (2500/min) MAX. SPEED  
 200°F (93°C) MAX. TEMPERATURE



CONFIDENTIAL  
 THIS DOCUMENT CONTAINS PROPRIETARY INFORMATION  
 AND IS NOT TO BE TRANSMITTED, REPRODUCED, USED  
 OR DISCLOSED TO ANYONE WITHOUT THE WRITTEN PER-  
 MISSION OF THE DEUBLIN COMPANY.

					EQUIPMENT REF:		SCALE	FULL	DWG	C
							DRN	LG	11/08/01	
							ENGR			
							APPD			
					ASSY/TEST FIXTURES REQUIRED:		UNLESS OTHERWISE SPECIFIED TOLERANCES $\pm .010$ . DIMENSIONS IN [ ] ARE IN MILLIMETERS.			
LET.	REVISION	ECO	DATE	SIGN			DEUBLIN COMPANY WAUKEGAN, ILLINOIS, U.S.A. TITLE: INTERFACE CONTROL DRAWING FOR UNION 527-000-026 NO. 527-000-026-IC C.A.D. DRAWING			