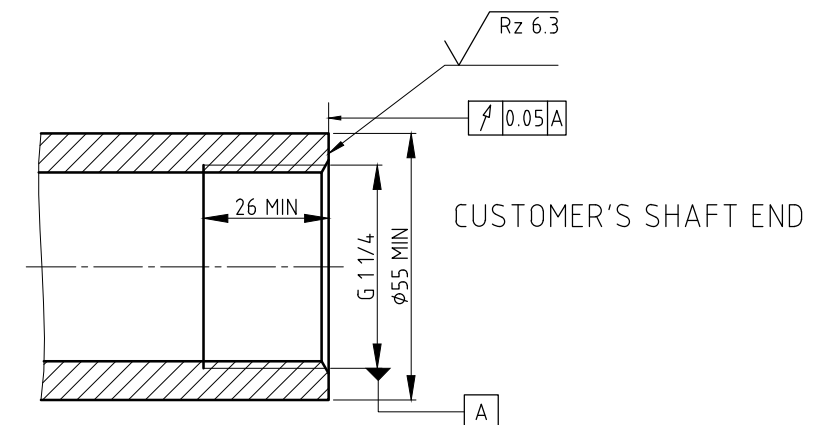
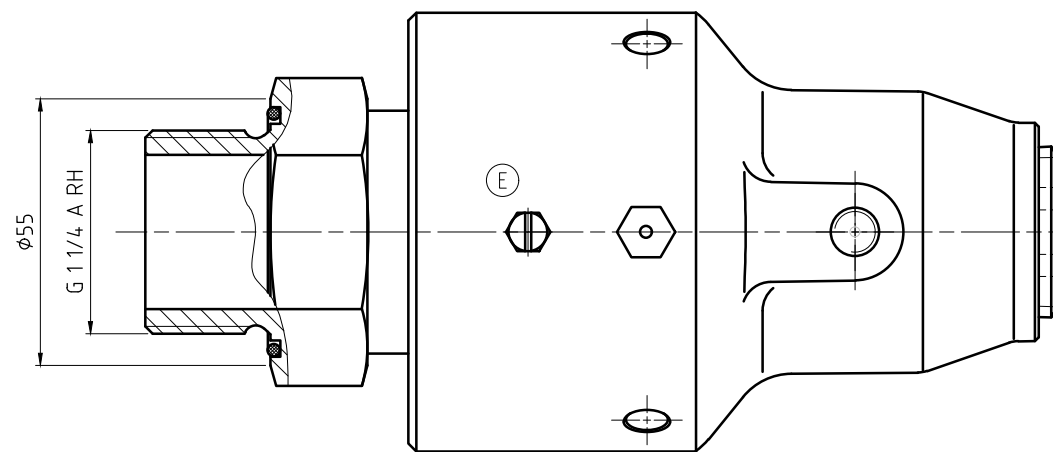
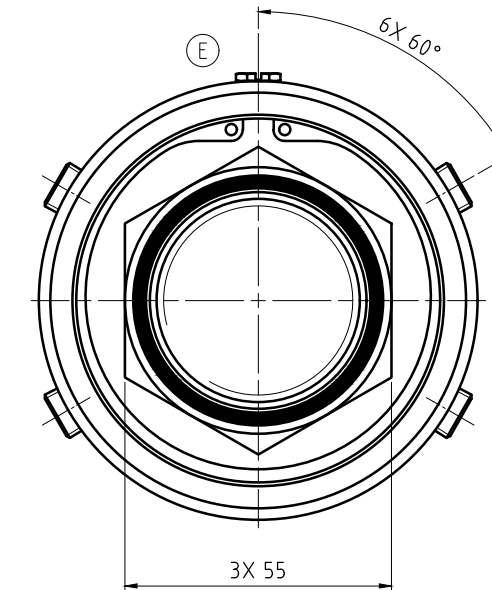
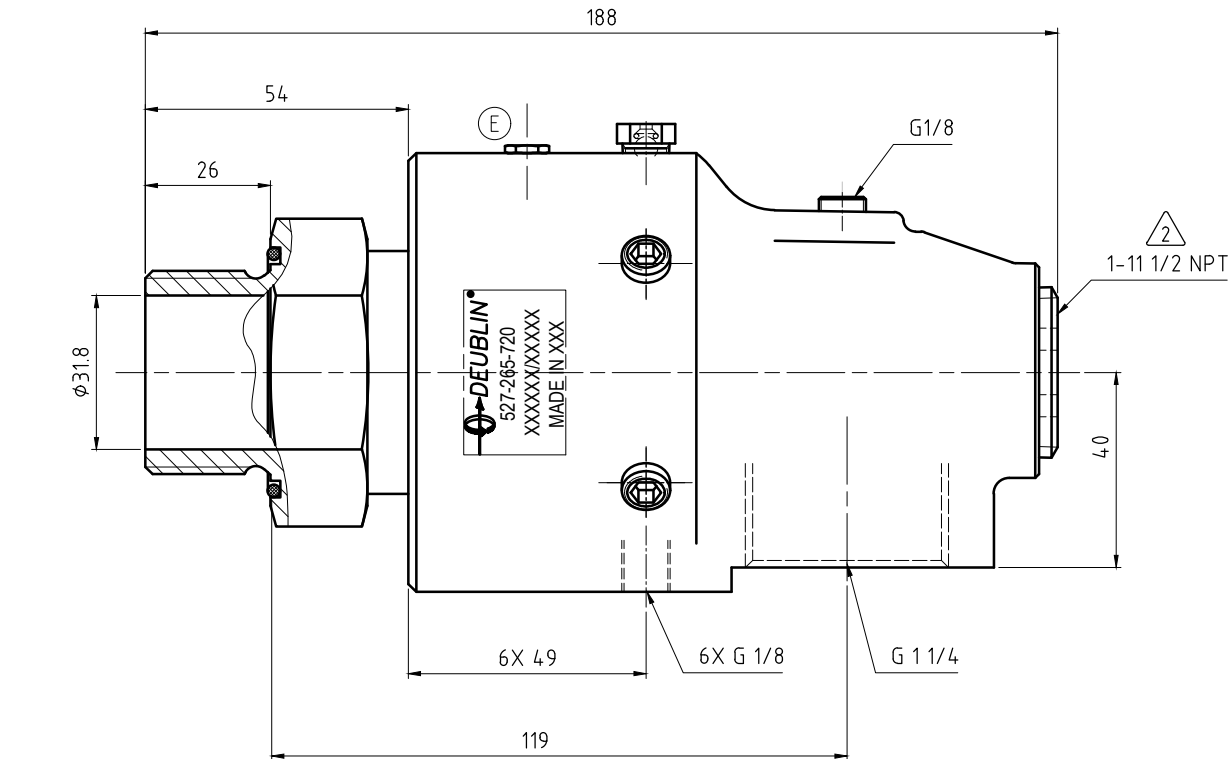
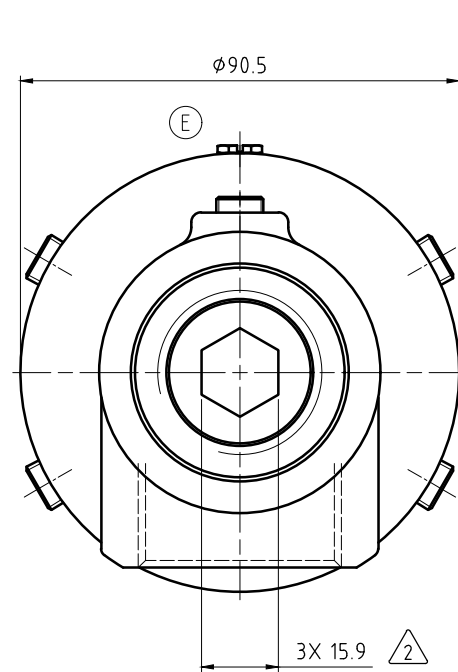


CONFIDENTIAL
 THIS DOCUMENT CONTAINS CONFIDENTIAL AND PROPRIETARY INFORMATION OF DEUBLIN COMPANY. COPYING, USE, TRANSMISSION, DISTRIBUTION, AND DISCLOSURE ARE SUBJECT TO THE TERMS AND CONDITIONS CONTAINED IN YOUR AGREEMENT WITH DEUBLIN COMPANY. ALL RIGHTS RESERVED.

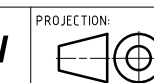
NOTES:

- ① - CONTACT DEUBLIN OR VISIT WWW.DEUBLIN.COM FOR INSTRUCTION MANUAL: 040-550
- ② - PLUG INSTALLED HAND TIGHT FROM FACTORY. IF PORT IS NOT UTILIZED, TIGHTEN BEFORE USE.



⑤ OPERATING DATA

MEDIA	WATER
PRESSURE MAX.	20 bar
SPEED MAX.	2500 min ⁻¹
TEMPERATURE MAX.	121 °C
DRY RUN (WITHOUT ANY MEDIA)	NO
RECOMMENDED FILTRATION	60 micron



PROJECTION:
 SCALE: 1:1
 MATERIAL: INTERFACE CONTROL DRAWING

ISSUE	MODIFICATION	ECO	DATE	SIGN	DATE	NAME
E	CHG-PLUG, OP DATA	6254.8	05/22	RMika	DRN.	14.02.06 Schmid
D	SEE ECO	62055	03/22	MTS	ENGR.	14.02.06 Ch. Wolf
C	Removed -D from number	056519	05/20	RM	APPD.	
B	Weiterende linzu	06211	15.08.06	CW		
A	war Rp 1/8	06136	07.06.06	Huhn		

TITLE: DEUBLIN UNION
 NO. 527-265-720
 SHEET A2

UNLESS SPECIFICALLY TOLERANCED, ALL DIMENSIONS ARE CONSIDERED REFERENCE