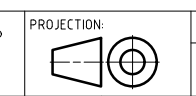
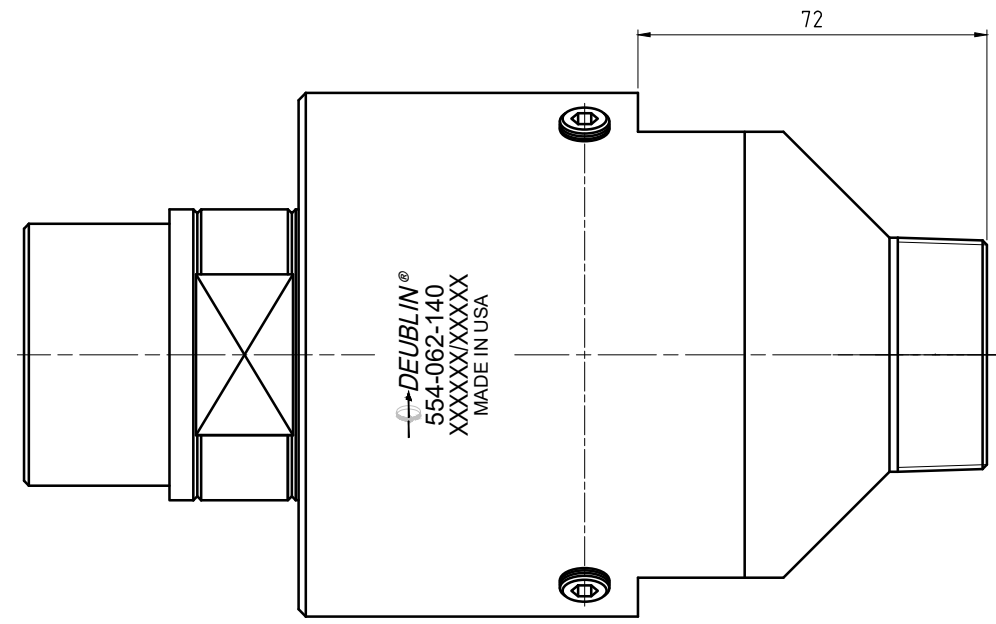
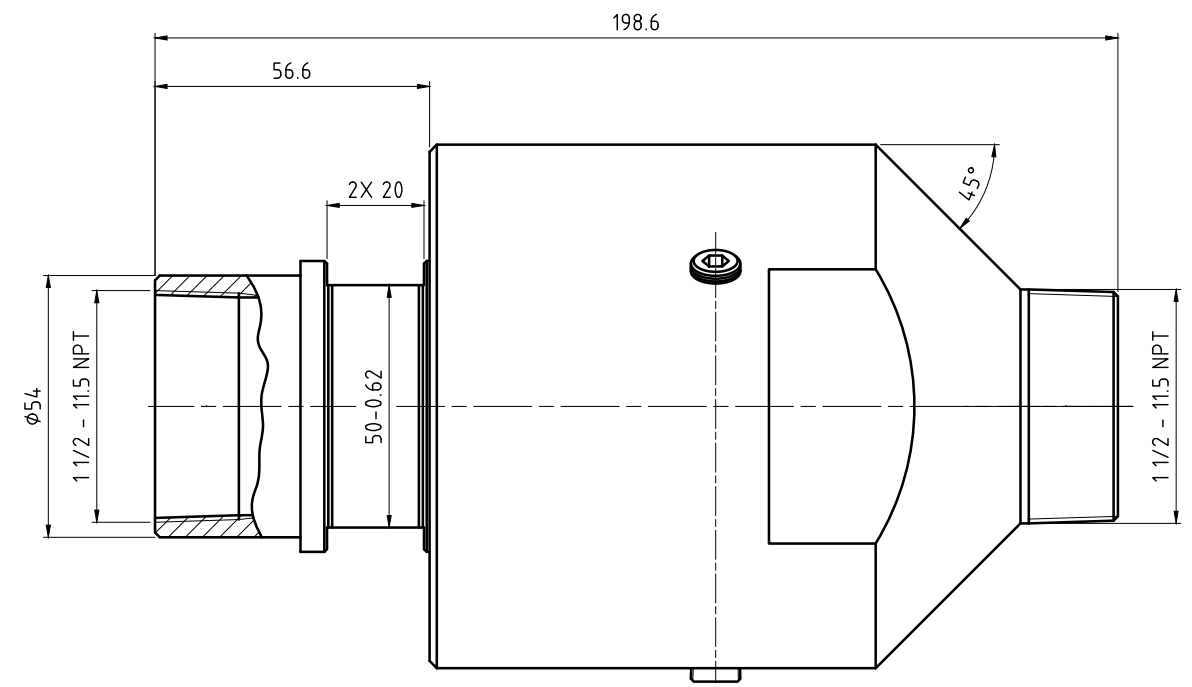
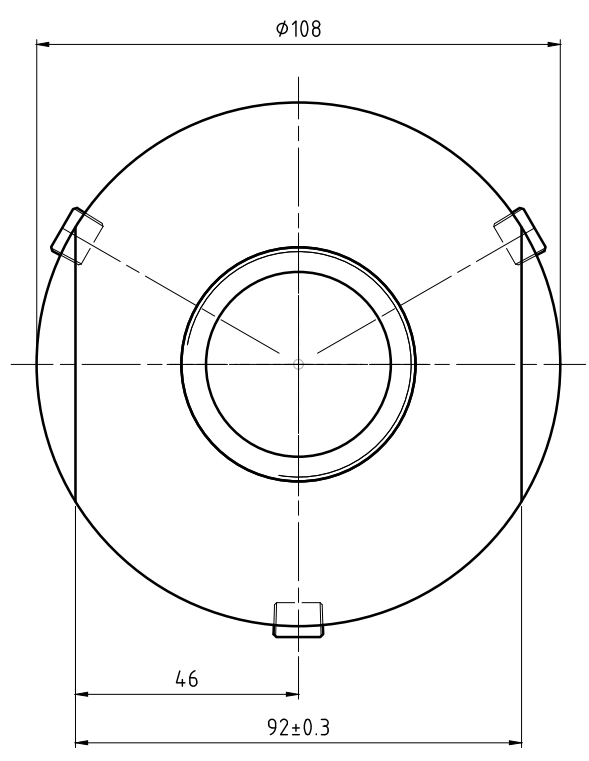


CONFIDENTIAL
 THIS DOCUMENT CONTAINS CONFIDENTIAL AND PROPRIETARY
 INFORMATION OF DEUBLIN COMPANY. COPYING, USE,
 TRANSMISSION, DISTRIBUTION, AND DISCLOSURE ARE SUBJECT
 TO THE TERMS AND CONDITIONS CONTAINED IN YOUR
 AGREEMENT WITH DEUBLIN COMPANY. ALL RIGHTS RESERVED.



PROJECTION:	SCALE: 1:1
MATERIAL:	TITLE: INTERFACE CONTROL DRAWING FOR UNION 554-062-140
DRN. 09/24/2010 RM	NO. 554-062-140
ENGR. 09/28/2010 TW	SHEET A2
APPD.	
UNLESS SPECIFICALLY TOLERANCED, ALL DIMENSIONS ARE CONSIDERED REFERENCE	

ISSUE	MODIFICATION	ECO	DATE	SIGN