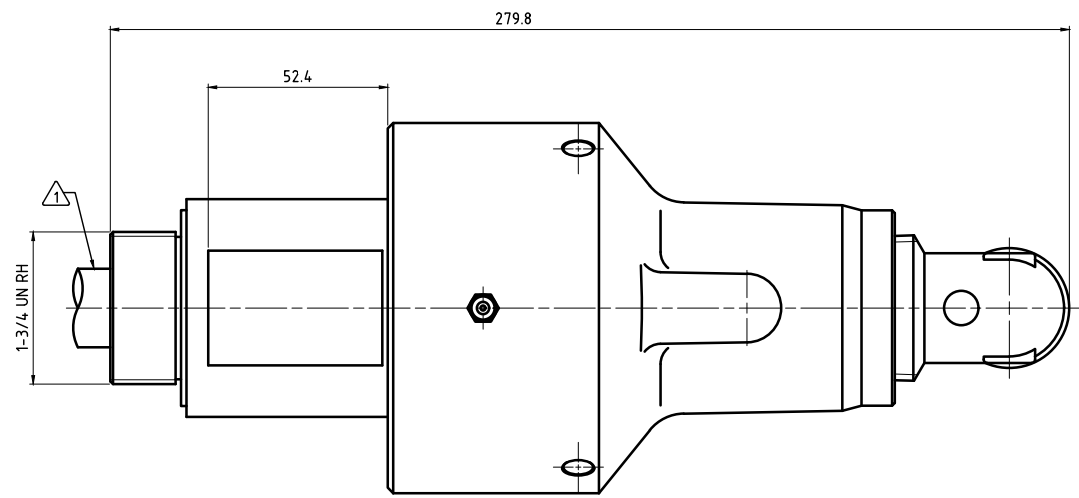
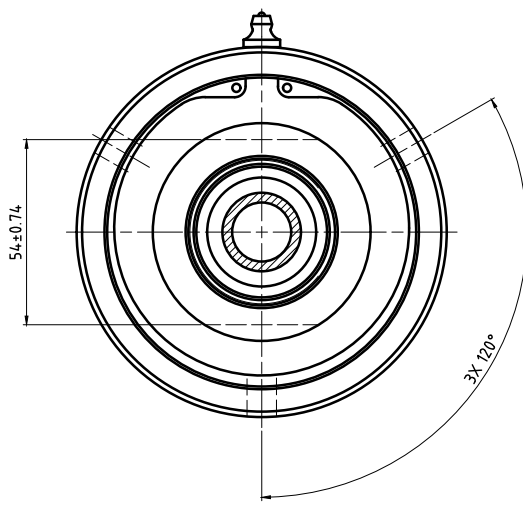
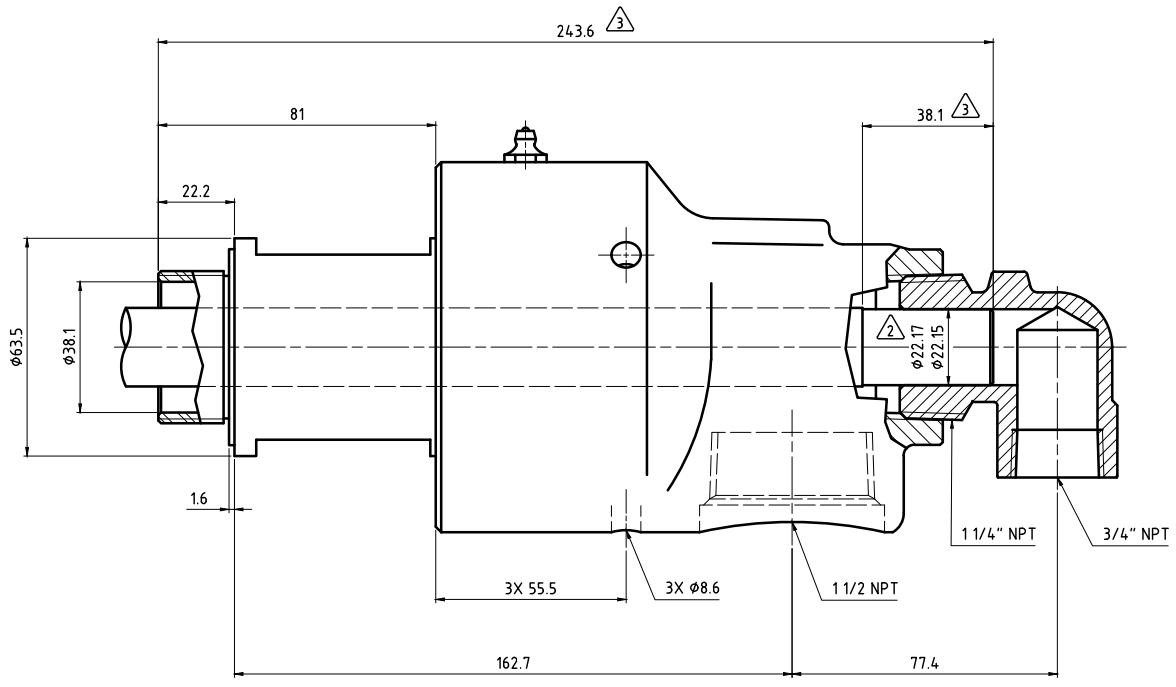
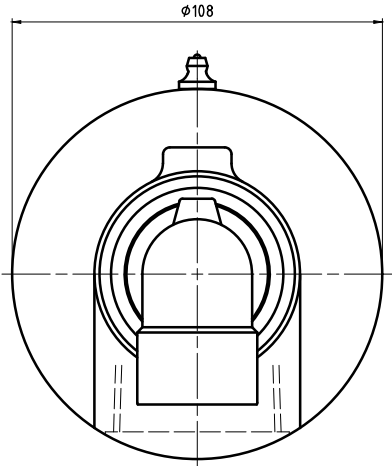


- NOTES:  
 ▲ - TUBE SUPPLIED BY CUSTOMER. PIPE SIZE: 7/8  
 ▲ - TUBE SUPPLIED BY CUSTOMER.  
 ▲ - TUBE LENGTH.



OPERATING DATA		
MEDIA	WATER/OIL	
MAX WATER PRESSURE	750 PSI	51 bar
MAX WATER TEMP.	250°F	121°C
MAX SPEED	2500 RPM	2500/min

	PROJECTION:	SCALE: 1:1
	MATERIAL:	INTERFACE CONTROL DRAWING
DRN: 06/27/13	NAME: N. Reyna	TITLE: DEUBLIN UNION
ENGR: 06/27/13	T. Wilson	NO. 555-000-029118
APPD:		SHEET A1
UNLESS SPECIFICALLY TOLERANCED, ALL DIMENSIONS ARE CONSIDERED REFERENCE		
ISSUE/	MODIFICATION	ECD DATE SIGN