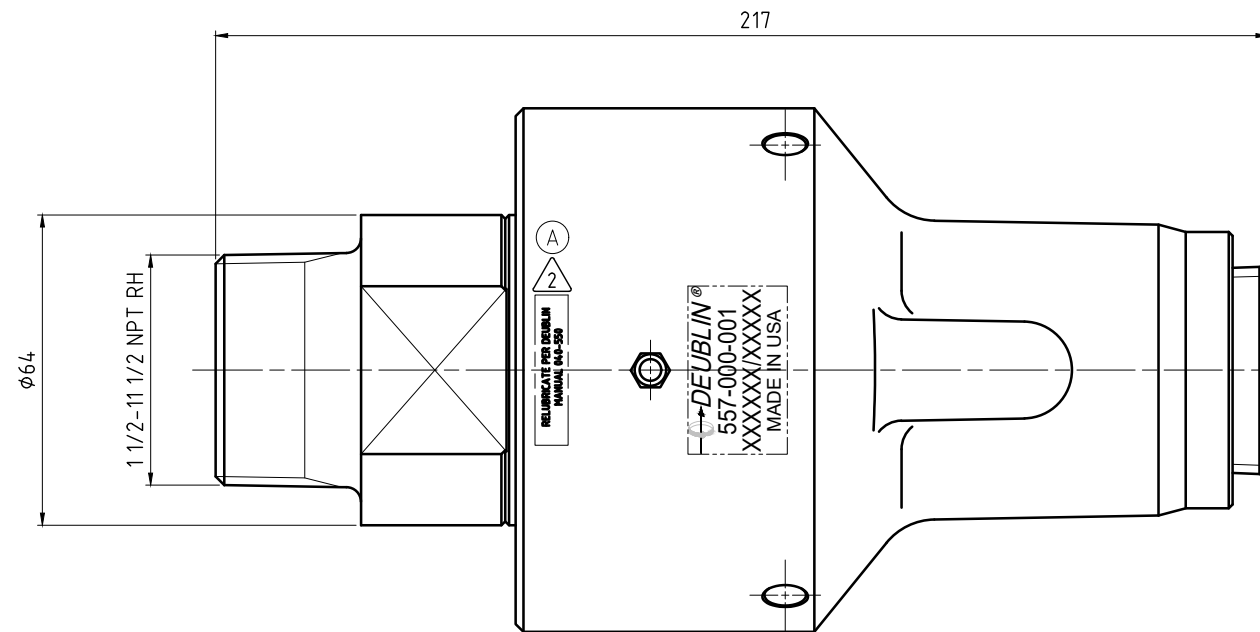
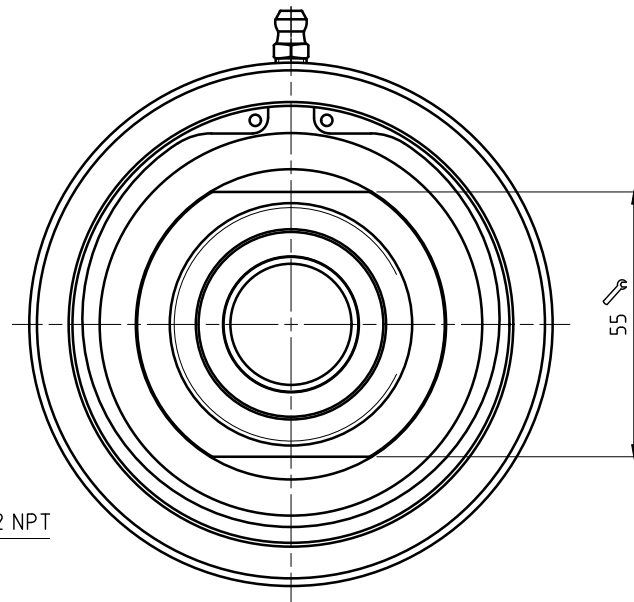
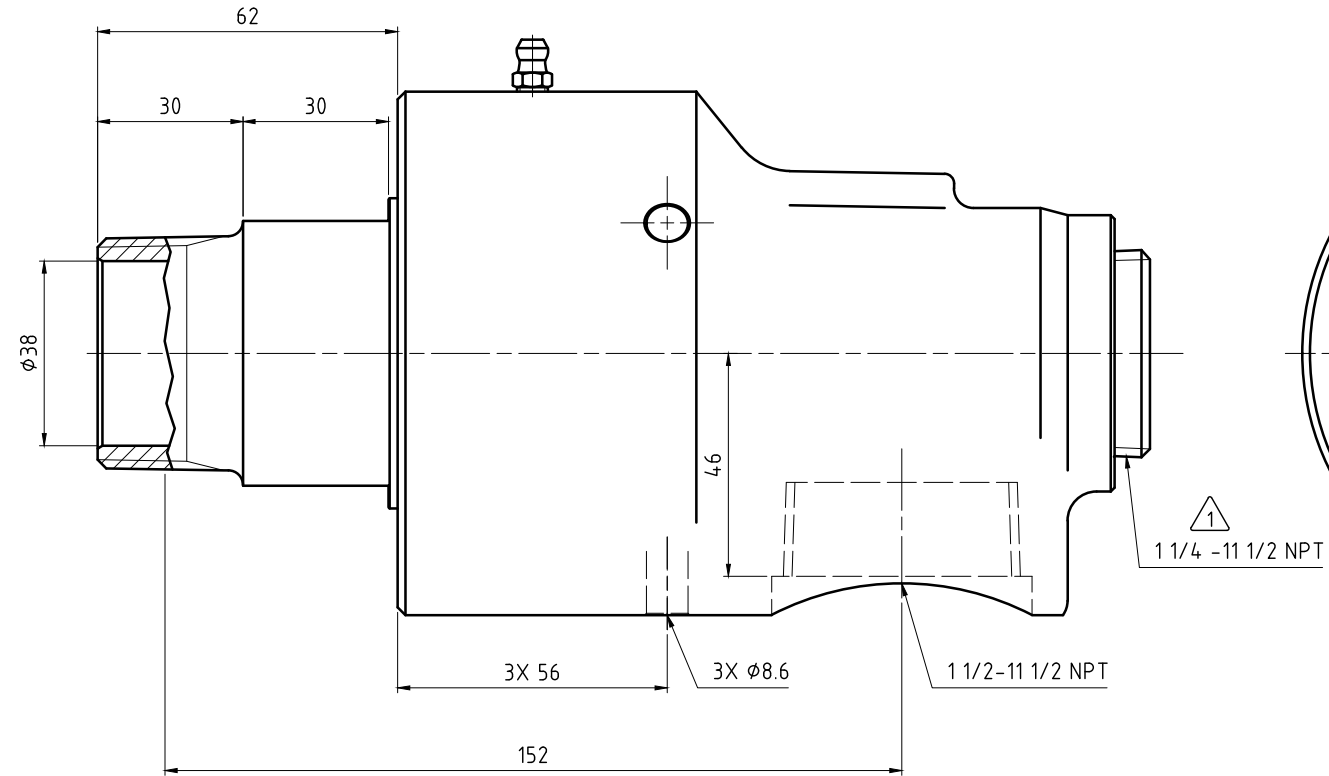
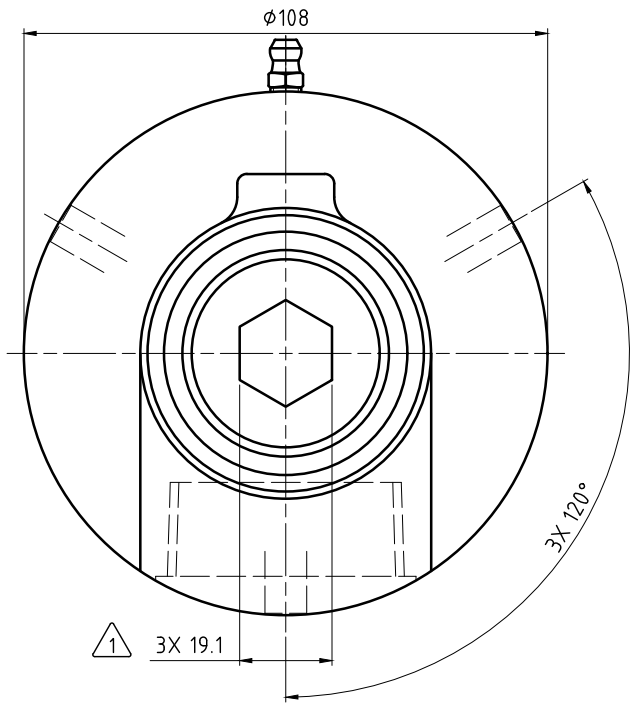


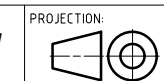
CONFIDENTIAL  
 THIS DOCUMENT CONTAINS CONFIDENTIAL AND PROPRIETARY INFORMATION OF DEUBLIN COMPANY. COPYING, USE, TRANSMISSION, DISTRIBUTION, AND DISCLOSURE ARE SUBJECT TO THE TERMS AND CONDITIONS CONTAINED IN YOUR AGREEMENT WITH DEUBLIN COMPANY. ALL RIGHTS RESERVED.

NOTES:

- 1 - PLUG INSTALLED HAND TIGHT FROM FACTORY. IF PORT IS NOT UTILIZED, TIGHTEN BEFORE USE.
- 2 - CONTACT DEUBLIN OR VISIT WWW.DEUBLIN.COM FOR INSTRUCTION MANUAL: 040-550.



OPERATING DATA			
MEDIA	WATER	SATURATED STEAM (INTERMITTENT)	THERMAL OIL
PRESSURE MAX.	20 bar	1 bar	6.6 bar
SPEED MAX.	1500 $\text{min}^{-1}$		
TEMPERATURE MAX.	121 $^\circ\text{C}$		
DRY RUN (WITHOUT ANY MEDIA)	NO		
RECOMMENDED FILTRATION	60 micron		



PROJECTION:  $\frac{1}{2}$   
 SCALE: 1:1  
 MATERIAL: INTERFACE CONTROL DRAWING

DATE	NAME	TITLE
DRN. 08/30/02	L. Galindo	DEUBLIN UNION
ENGR.		
APPD.		

REV	GRS	FIT	ADD	NOTE	DATE	LG	SIGN
A					06/22		
					624.96		

NO. 557-000-001  
 SHEET A2

UNLESS SPECIFICALLY TOLERANCED, ALL DIMENSIONS ARE CONSIDERED REFERENCE