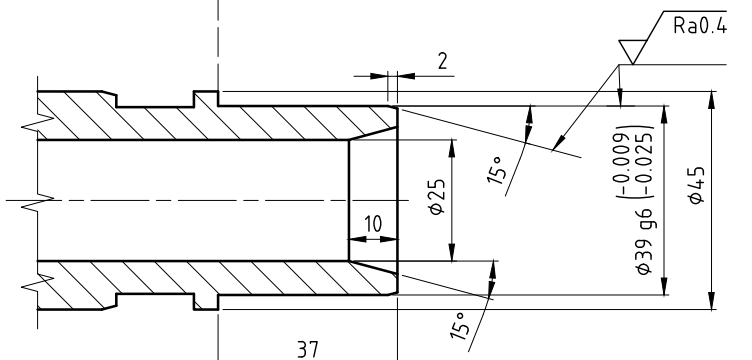
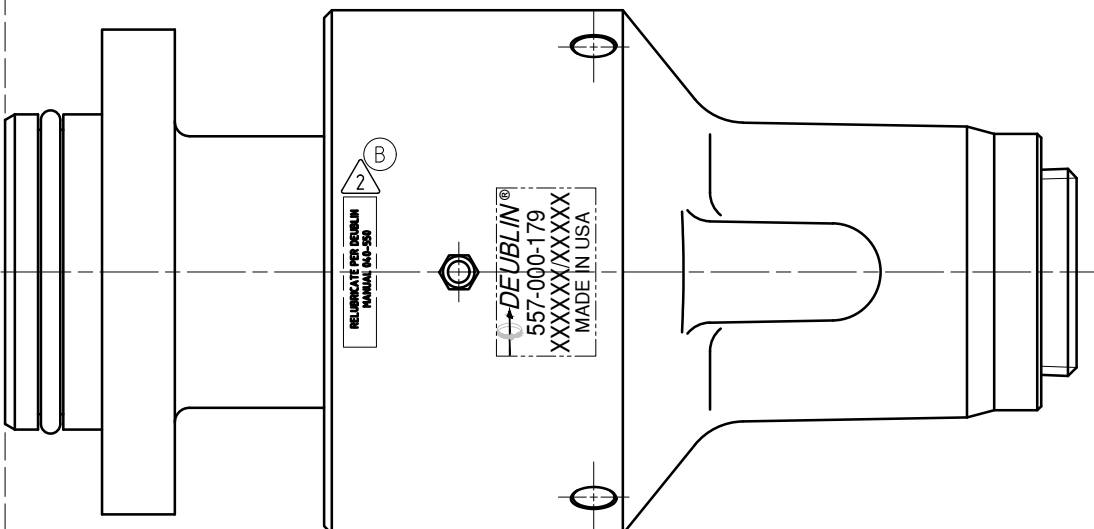
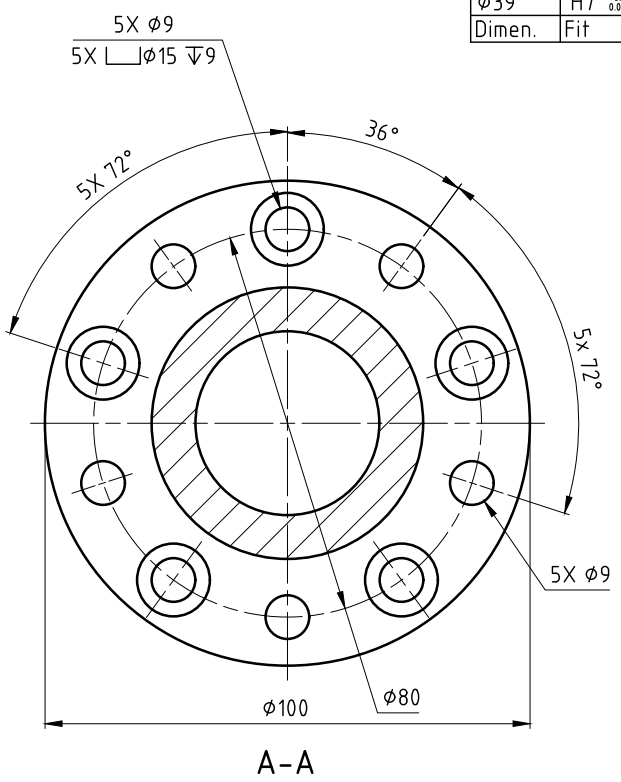
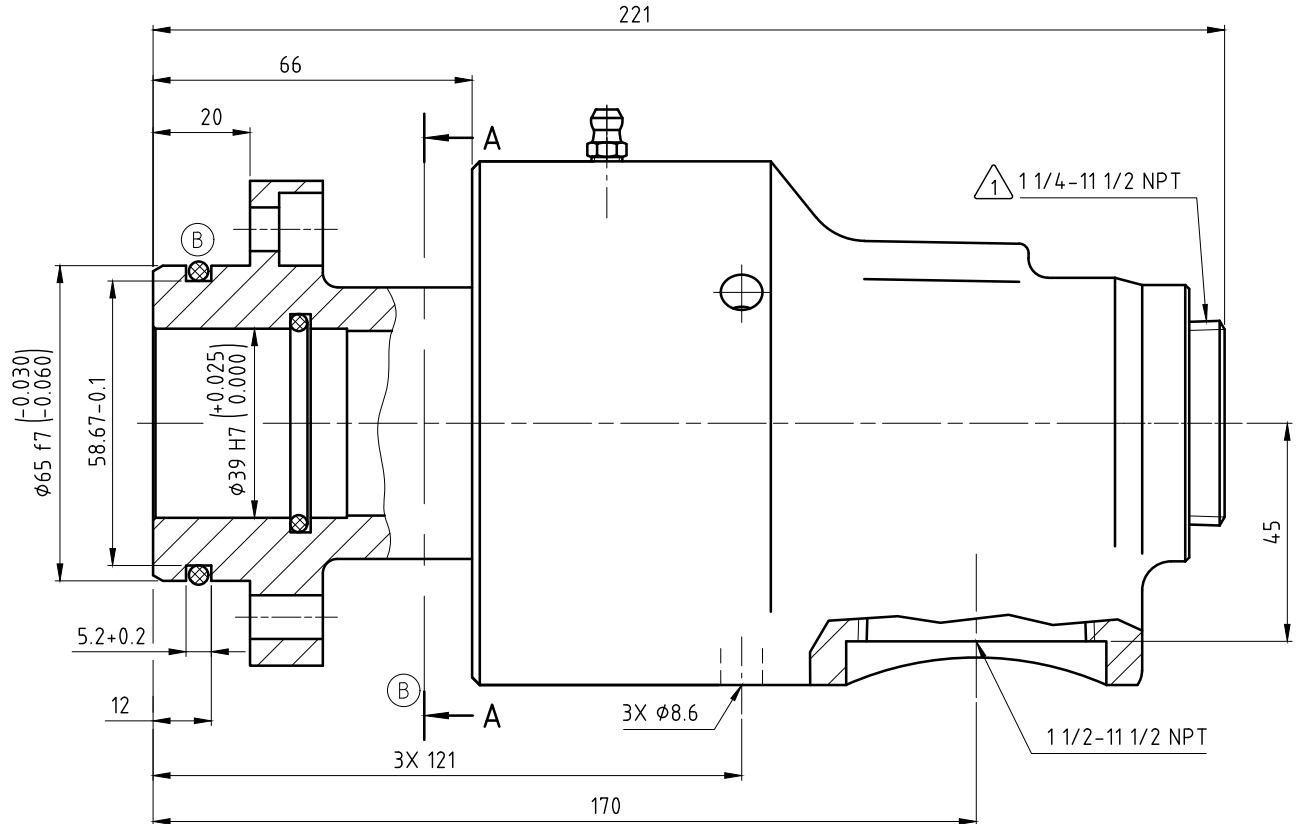
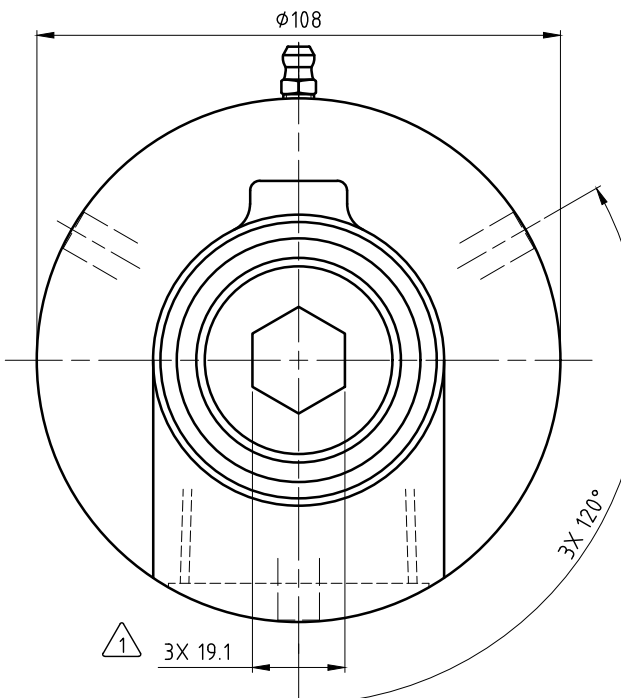


CONFIDENTIAL
 THIS DOCUMENT CONTAINS CONFIDENTIAL AND PROPRIETARY
 INFORMATION OF DEUBLIN COMPANY. COPYING, USE,
 TRANSMISSION, DISTRIBUTION, AND DISCLOSURE ARE SUBJECT
 TO THE TERMS AND CONDITIONS CONTAINED IN YOUR
 AGREEMENT WITH DEUBLIN COMPANY. ALL RIGHTS RESERVED.

Ø65	f7	-0.030	64.970
		-0.060	64.940
Ø39	g6	-0.009	38.991
		-0.025	38.975
Ø39	H7	-0.025	39.025
		0.000	39.000
Dimen.	Fit		

- NOTES:
 (B) 1 - PLUG INSTALLED HAND TIGHT FROM FACTORY. IF PORT IS NOT UTILIZED,
 TIGHTEN BEFORE USE.
 2 - CONTACT DEUBLIN OR VISIT WWW.DEUBLIN.COM
 FOR INSTRUCTION MANUAL: 040-550.



CUSTOMER INTERFACE

(B) OPERATING DATA

MEDIA	WATER	SATURATED STEAM (INTERMITTENT)	THERMAL OIL
PRESSURE MAX.	20 bar	1 bar	6.6 bar
SPEED MAX.	2500 min ⁻¹		
TEMPERATURE MAX.	121 °C		
DRY RUN (WITHOUT ANY MEDIA)	NO		
RECOMMENDED FILTRATION	60 micron		



PROJECTION:	
SCALE:	1:1
MATERIAL:	INTERFACE CONTROL DRAWING
DATE	NAME
DRN. 05/08/08	CW
ENGR. 05/08/08	HJH
APPD.	

TITLE:	DEUBLIN UNION
NO.	557-000-179

B	REVISIONS	624.96	06/22	LG
A	UPDATED IN AGILE	04.034	11/08	NR
ISSUE	MODIFICATION	ECO	DATE	SIGN

UNLESS SPECIFICALLY TOLERANCED, ALL DIMENSIONS ARE CONSIDERED REFERENCE

SHEET A2