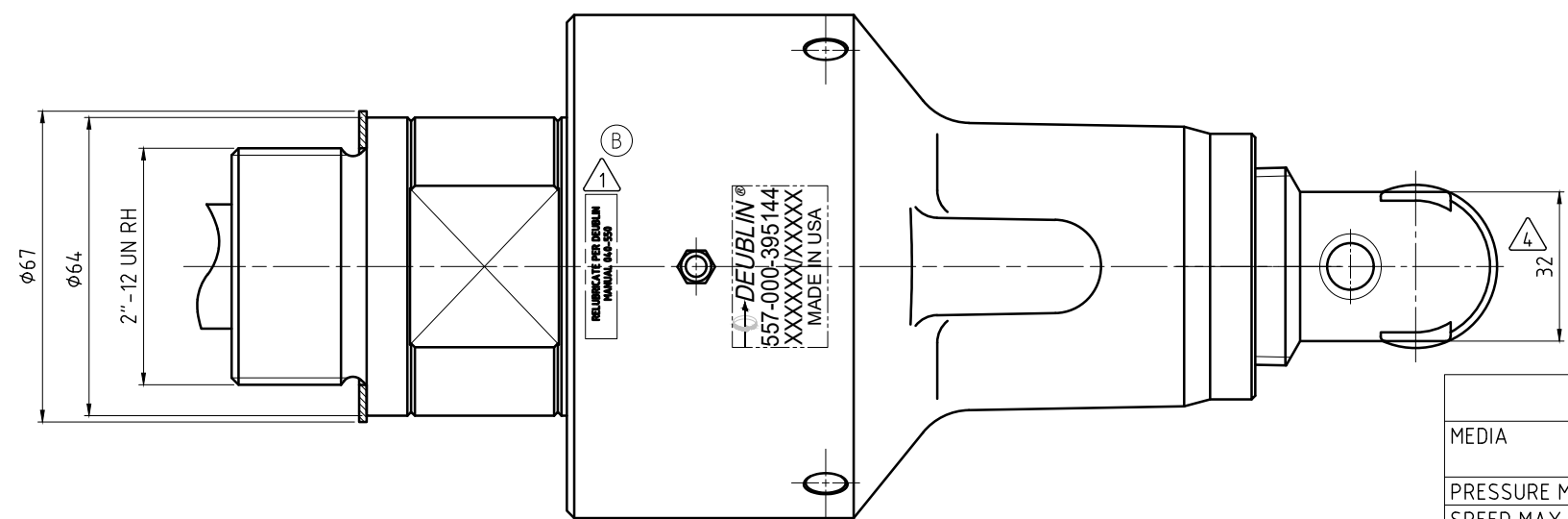
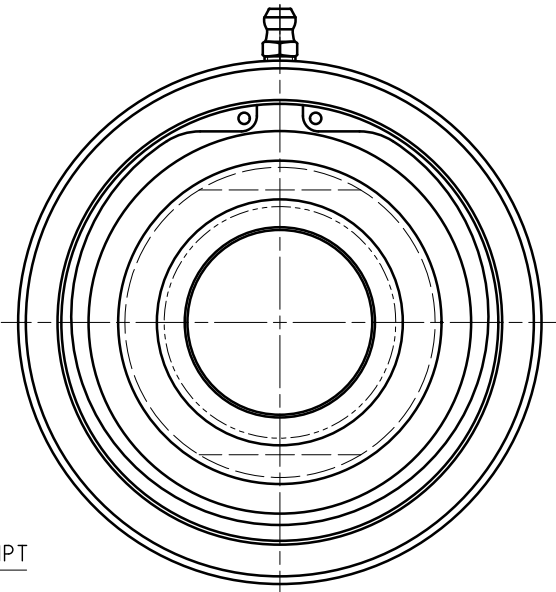
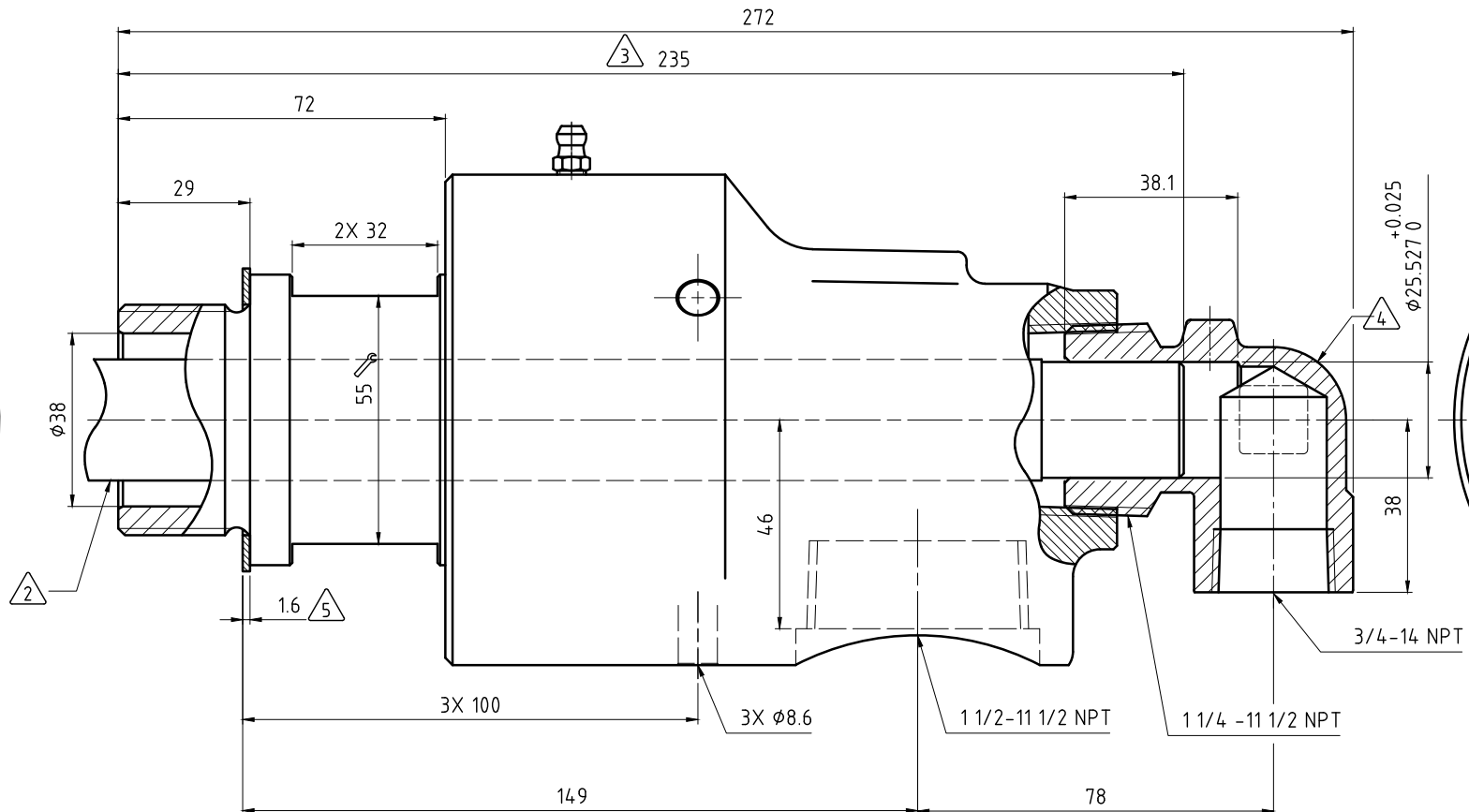
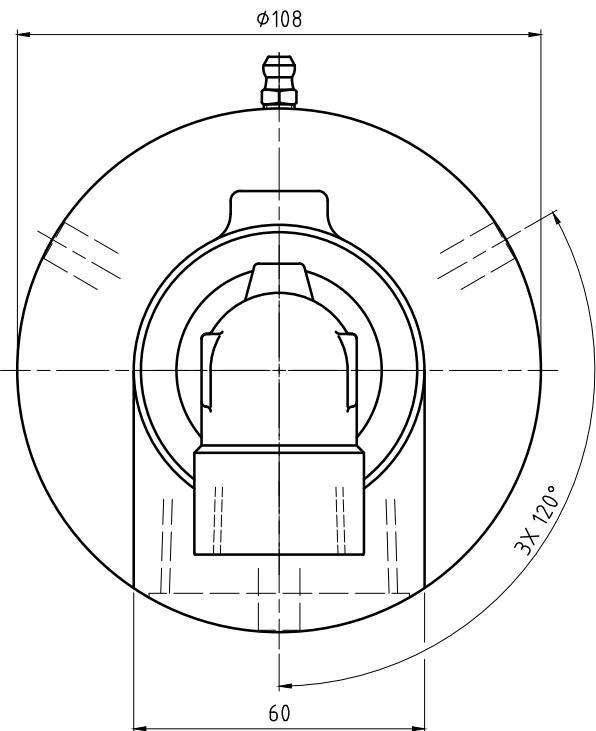


CONFIDENTIAL
 THIS DOCUMENT CONTAINS CONFIDENTIAL AND PROPRIETARY INFORMATION OF DEUBLIN COMPANY. COPYING, USE, TRANSMISSION, DISTRIBUTION, AND DISCLOSURE ARE SUBJECT TO THE TERMS AND CONDITIONS CONTAINED IN YOUR AGREEMENT WITH DEUBLIN COMPANY. ALL RIGHTS RESERVED.

NOTES:

- 1 - CONTACT DEUBLIN OR VISIT WWW.DEUBLIN.COM FOR INSTRUCTION MANUAL: 040-550.
- 2 - PIPE SUPPLIED BY CUSTOMER. PIPE SIZE: 3/4".
- 3 - PIPE LENGTH.

- 4 - FITTING TO BE ASSEMBLED HAND-TIGHT, OR MAY BE SHIPPED UNASSEMBLED.
- 5 - GASKET THICKNESS.



OPERATING DATA			
MEDIA	WATER	SATURATED STEAM (INTERMITTENT)	THERMAL OIL
PRESSURE MAX.	20 bar	1 bar	6.6 bar
SPEED MAX.	2500 min ⁻¹		
TEMPERATURE MAX.	121 °C		
DRY RUN (WITHOUT ANY MEDIA)	NO		
RECOMMENDED FILTRATION	60 micron		

DEUBLIN
 HOERBIGER Rotary Solutions

PROJECTION:

SCALE: 1:1

MATERIAL: INTERFACE CONTROL DRAWING

TITLE: DEUBLIN DUOFLOW UNION

NO. 557-000-395144

SHEET A2

DRN.	11/10/02	WRS
ENGR.	11/10/02	CWOLF
APPD.		

REV	DATE	BY	CHKD
B	06/22	LG	
ISSUE	MODIFICATION	ECO	DATE

UNLESS SPECIFICALLY TOLERANCED, ALL DIMENSIONS ARE CONSIDERED REFERENCE