

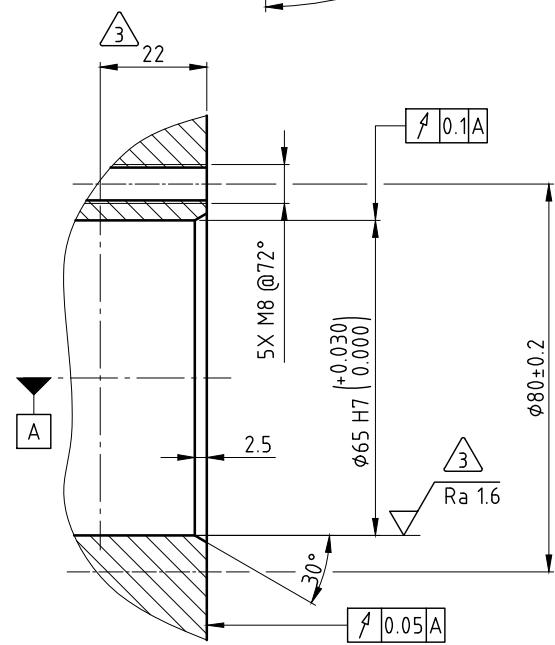
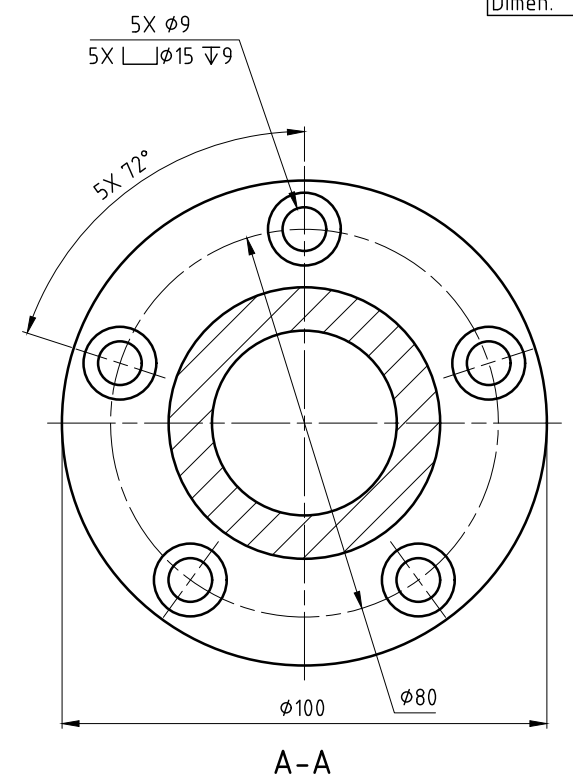
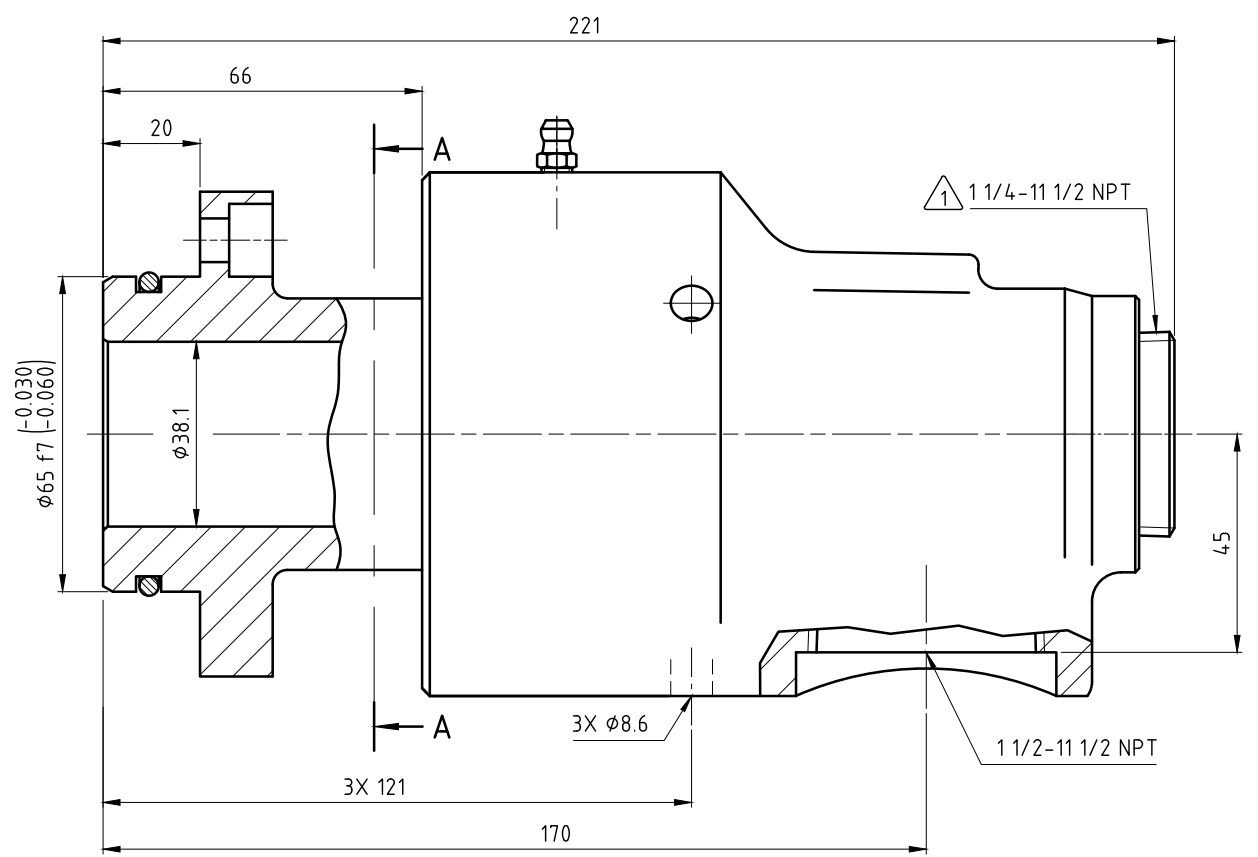
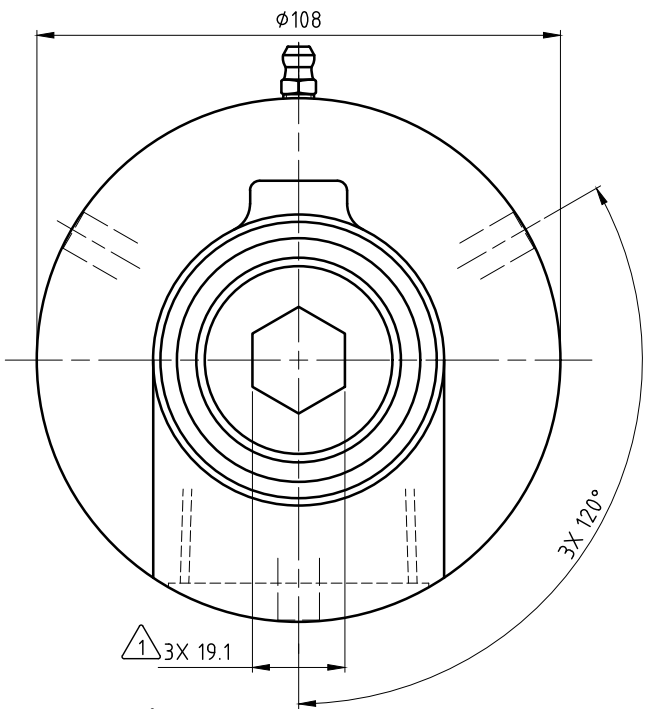
CONFIDENTIAL
 THIS DOCUMENT CONTAINS CONFIDENTIAL AND PROPRIETARY INFORMATION OF DEUBLIN COMPANY. COPYING, USE, TRANSMISSION, DISTRIBUTION, AND DISCLOSURE ARE SUBJECT TO THE TERMS AND CONDITIONS CONTAINED IN YOUR AGREEMENT WITH DEUBLIN COMPANY. ALL RIGHTS RESERVED.

φ65	f7	+0.030	64.970
φ65	H7	-0.060	64.940
Dimen.	Fit	+0.030	65.030
		0.000	65.000

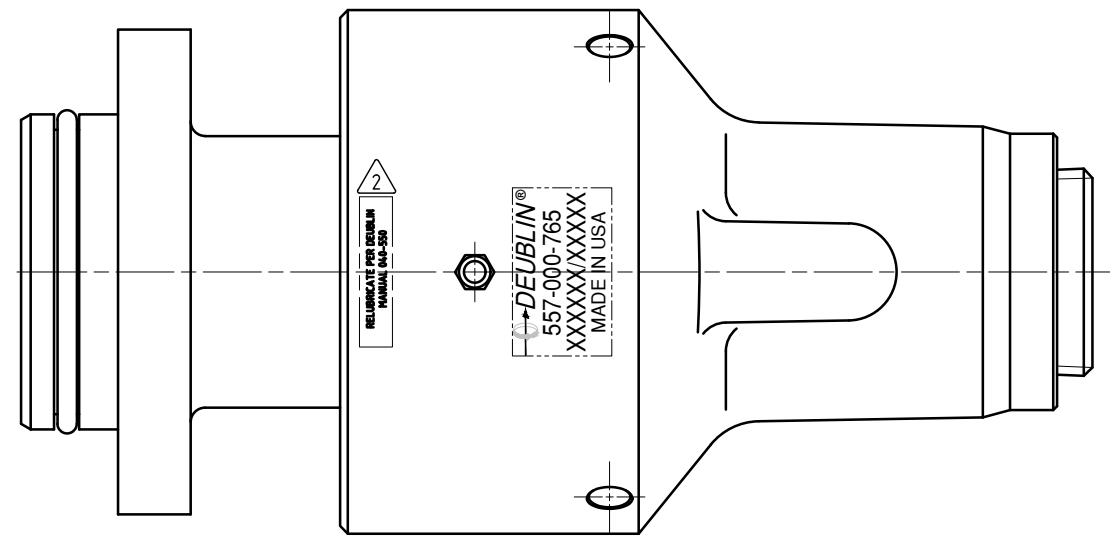
NOTES:

- 1 - PLUG INSTALLED HAND TIGHT FROM FACTORY. IF PORT IS NOT UTILIZED, TIGHTEN BEFORE USE.
- 2 - CONTACT DEUBLIN OR VISIT WWW.DEUBLIN.COM FOR INSTRUCTION MANUAL: 040-550.

3 - SURFACE FINISH APPLIES WITHIN INDICATED AREA ONLY.



CUSTOMER'S INTERFACE



OPERATING DATA			
MEDIA	WATER	SATURATED STEAM (INTERMITTENT)	THERMAL OIL
PRESSURE MAX.	20 bar	1 bar	6.6 bar
SPEED MAX.	2500 min ⁻¹		
TEMPERATURE MAX.	121 °C		
DRY RUN (WITHOUT ANY MEDIA)	NO		
RECOMMENDED FILTRATION	60 micron		

		PROJECTION:	SCALE: 1:1
		DATE: 05/06/02	MATERIAL: INTERFACE CONTROL DRAWING
		NAME: RM	TITLE: DEUBLIN UNION
		NO. 557-000-765	SHEET A2
A	REVISION	624-96	06/22
ISSUE	MODIFICATION	ECO	DATE
		LG	SIGN

UNLESS SPECIFICALLY TOLERANCED, ALL DIMENSIONS ARE CONSIDERED REFERENCE