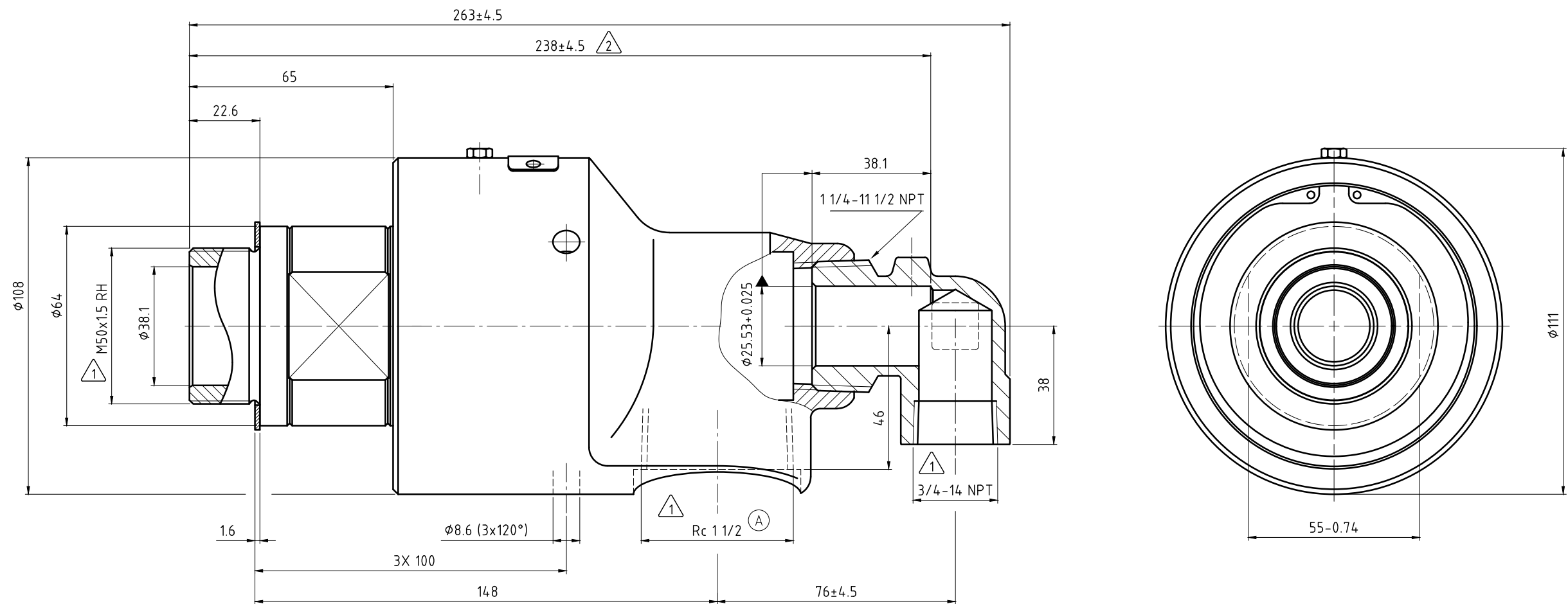


CONFIDENTIAL  
 THIS DOCUMENT CONTAINS CONFIDENTIAL AND PROPRIETARY  
 INFORMATION OF DEUBLIN COMPANY. COPYING, USE,  
 TRANSMISSION, DISTRIBUTION, AND DISCLOSURE ARE SUBJECT  
 TO THE TERMS AND CONDITIONS CONTAINED IN YOUR  
 AGREEMENT WITH DEUBLIN COMPANY. ALL RIGHTS RESERVED.

NOTES:

- ① - CRITICAL DIMENSION.
- ② - PIPE LENGTH.
- 3 - PIPE SUPPLIED BY CUSTOMER. PIPE SIZE: 3/4"



OPERATING DATA		
MEDIA	WATER	
PRESSURE (MAX.)	150 PSI	10 bar
TEMPERATURE (MAX.)	200 °F	90 °C
SPEED (MAX.)	2500 RPM	2500 1/min
FILTRATION	60 µm	
DRY RUN	NO	

		PROJECTION: 	SCALE: 1:1
DRN. 03/19/2013 GALINDOLM ENGR. APPD.		MATERIAL: <b>INTERFACE CONTROL DRAWING</b>	
A WAS NOT IN ERROR 022501 03/13 galindolm ISSUE MODIFICATION ECO DATE SIGN		TITLE: <b>DEUBLIN UNION, DUOFLOW,          M50x1.5 RH ROTOR</b>	
NO. 557-045-200144			SHEET A2