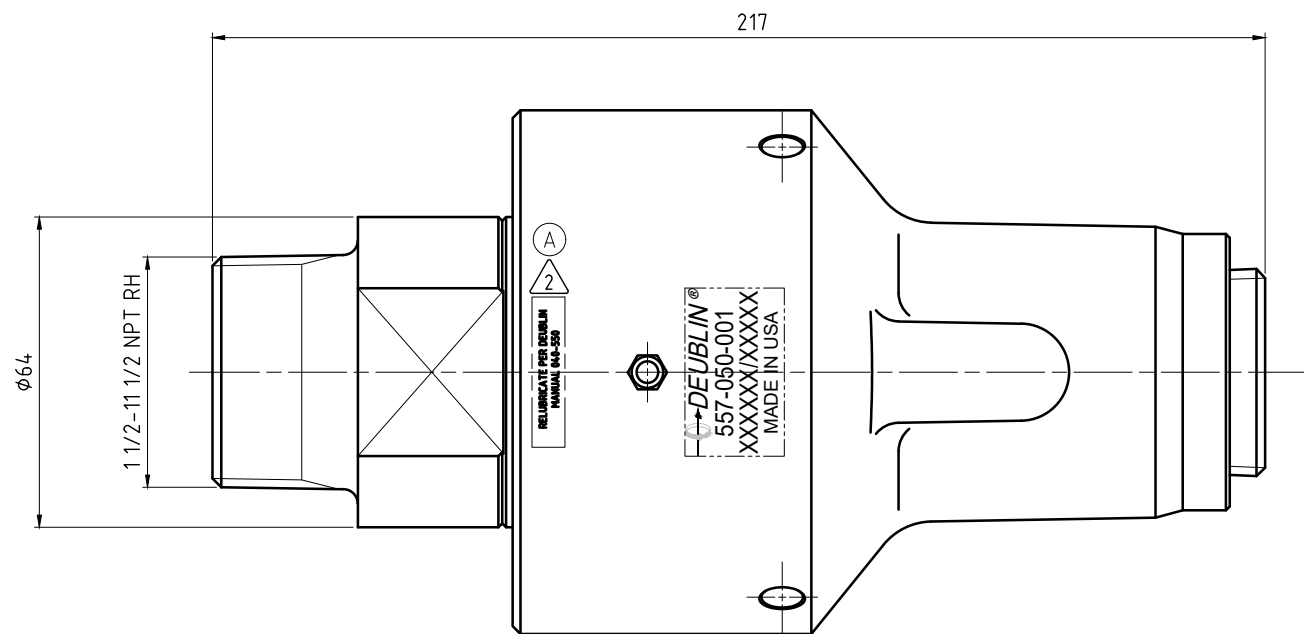
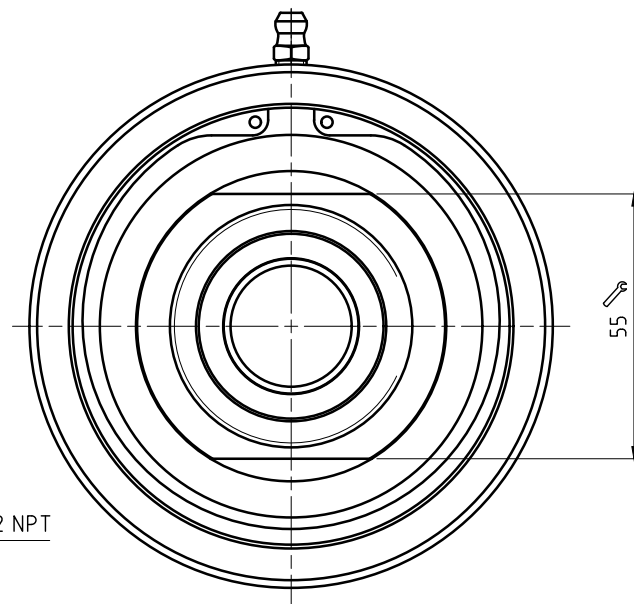
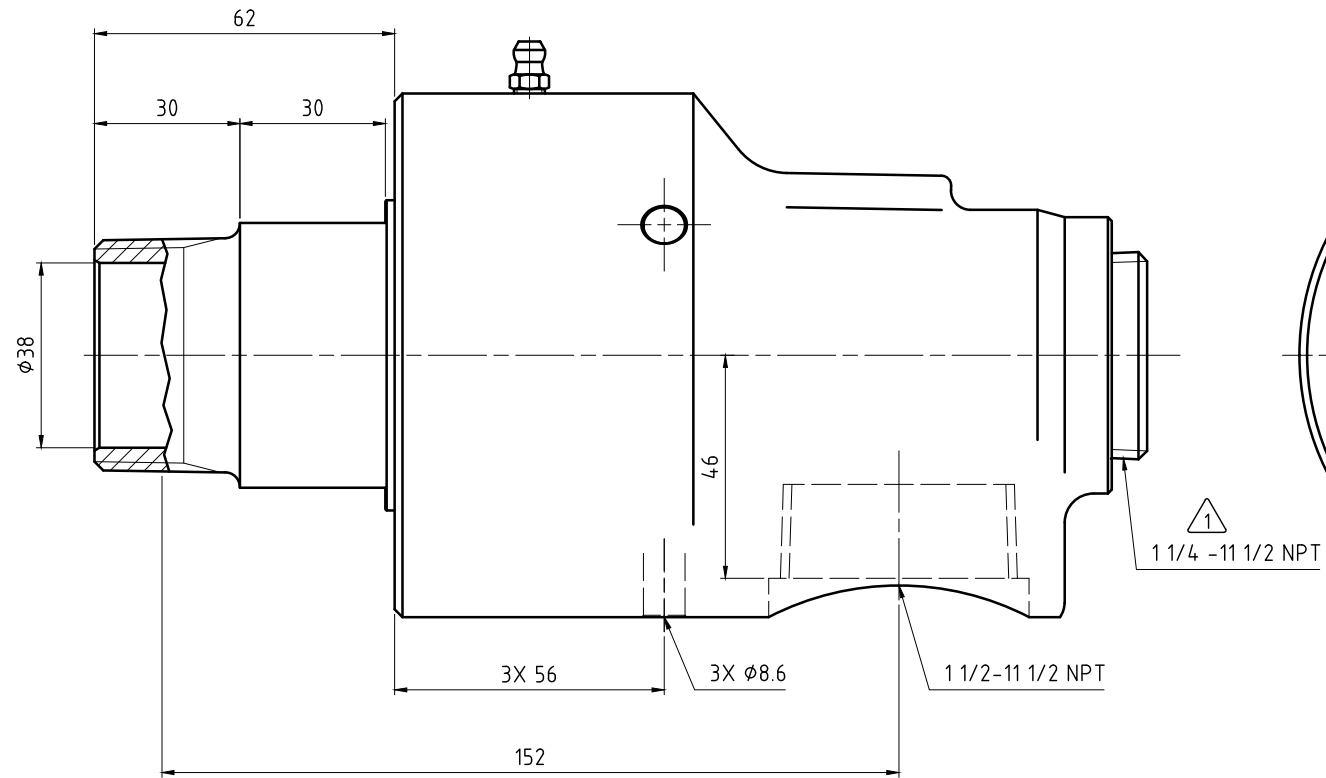
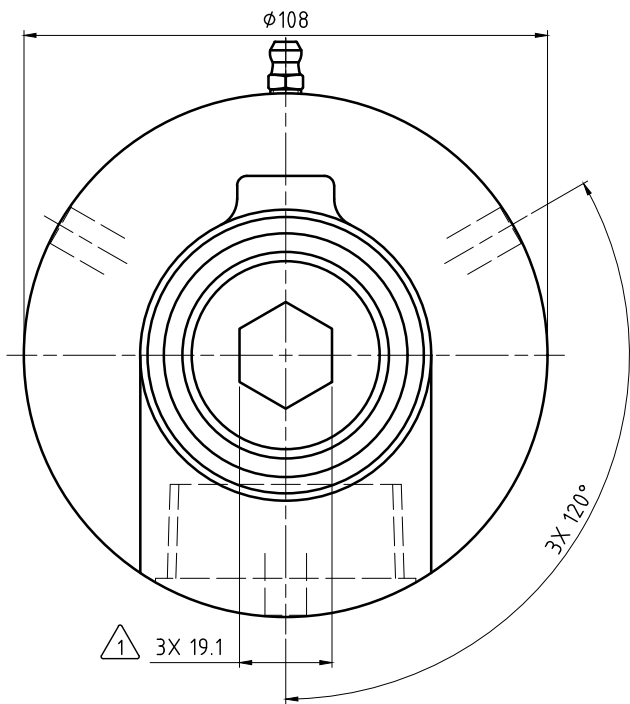


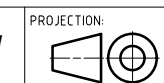
CONFIDENTIAL
 THIS DOCUMENT CONTAINS CONFIDENTIAL AND PROPRIETARY
 INFORMATION OF DEUBLIN COMPANY. COPYING, USE,
 TRANSMISSION, DISTRIBUTION, AND DISCLOSURE ARE SUBJECT
 TO THE TERMS AND CONDITIONS CONTAINED IN YOUR
 AGREEMENT WITH DEUBLIN COMPANY. ALL RIGHTS RESERVED.

NOTES:

- ① - PLUG INSTALLED HAND TIGHT FROM FACTORY. IF PORT IS NOT UTILIZED, TIGHTEN BEFORE USE.
- ② - CONTACT DEUBLIN OR VISIT WWW.DEUBLIN.COM FOR INSTRUCTION MANUAL: 040-550.



OPERATING DATA		
MEDIA	WATER	THERMAL OIL
PRESSURE MAX.	20 bar	6.6 bar
SPEED MAX.	1500 min^{-1}	
TEMPERATURE MAX.	93 $^\circ\text{C}$	
DRY RUN (WITHOUT ANY MEDIA)	NO	
RECOMMENDED FILTRATION	60 micron	



PROJECTION:
 SCALE: 1:1
 MATERIAL: INTERFACE CONTROL DRAWING

DATE	NAME	TITLE
DRN. 04/22/03	RM	DEUBLIN UNION
ENGR. 04/22/03	RC	
APPD.		

NO.	DATE	DESCRIPTION	BY	CHKD.
A	06/22	REV GRS FIT, ADD NOTE	LG	
	ECO	ISSUE MODIFICATION		

NO. 557-050-001
 SHEET A2

UNLESS SPECIFICALLY TOLERANCED, ALL DIMENSIONS ARE CONSIDERED REFERENCE