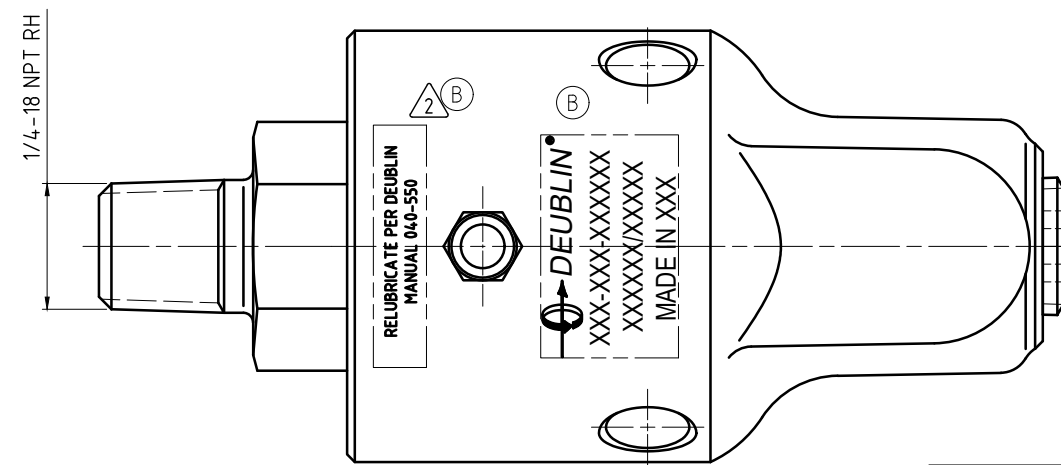
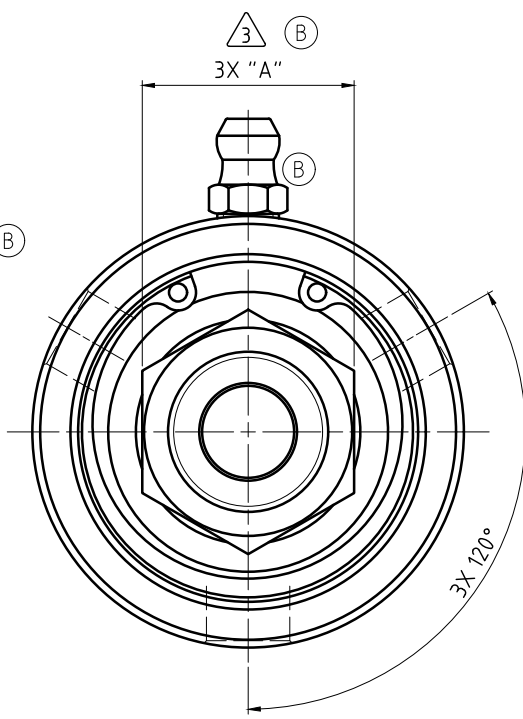
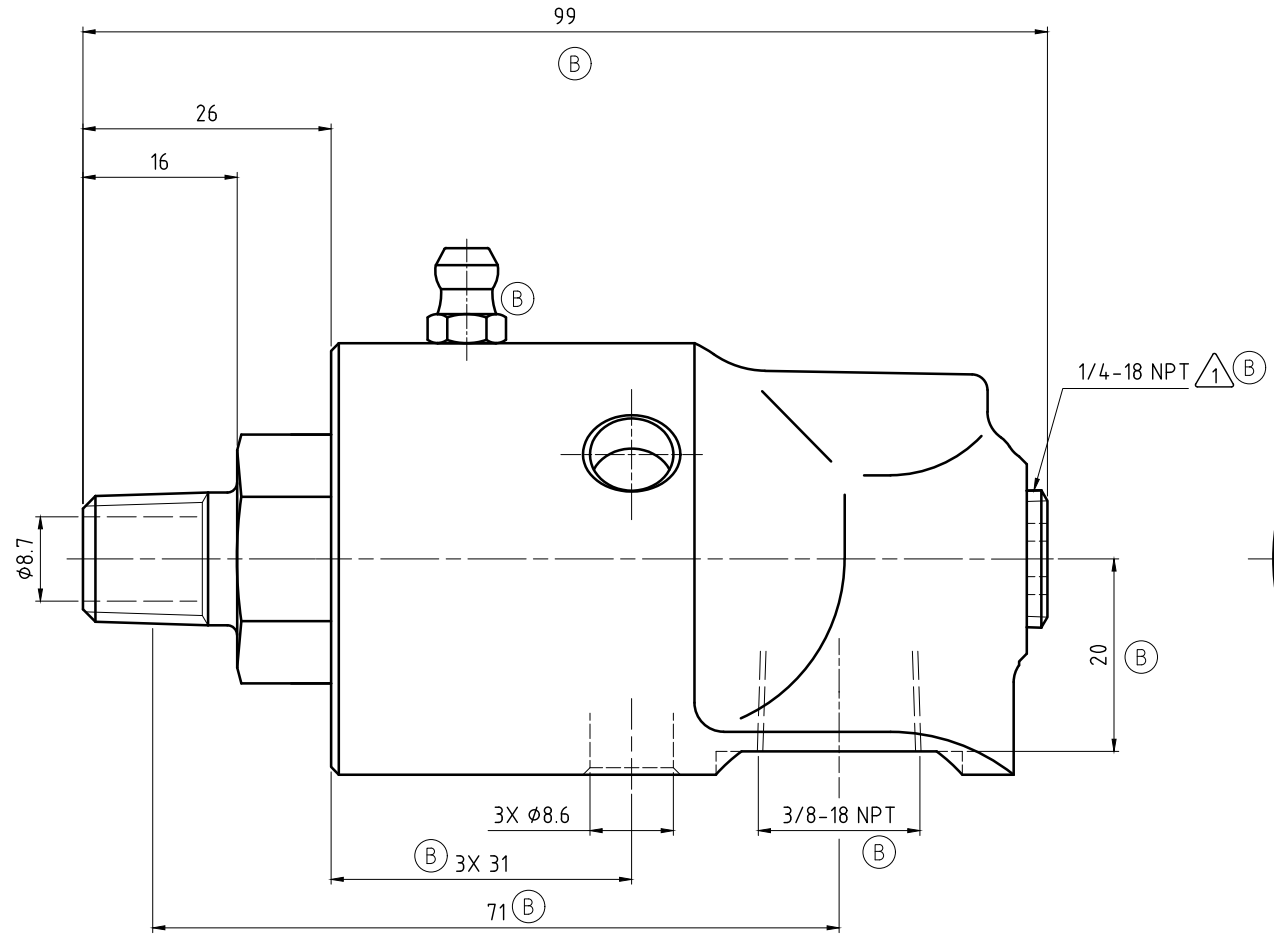
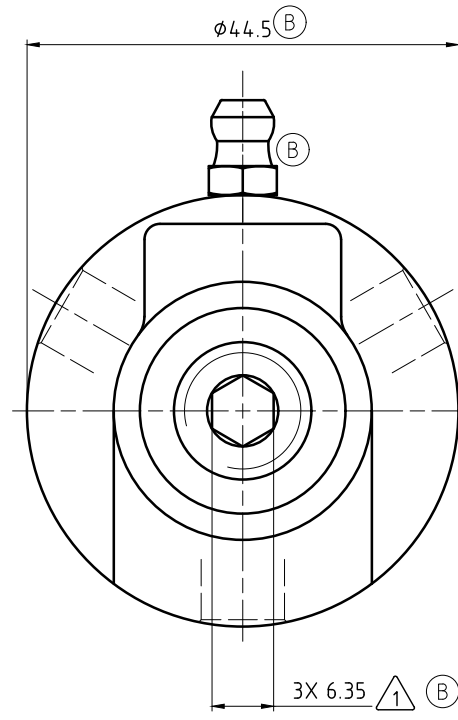


CONFIDENTIAL
 THIS DOCUMENT CONTAINS CONFIDENTIAL AND PROPRIETARY INFORMATION OF DEUBLIN COMPANY. COPYING, USE, TRANSMISSION, DISTRIBUTION, AND DISCLOSURE ARE SUBJECT TO THE TERMS AND CONDITIONS CONTAINED IN YOUR AGREEMENT WITH DEUBLIN COMPANY. ALL RIGHTS RESERVED.

NOTES:

- ① - PLUG INSTALLED HAND TIGHT FROM FACTORY. IF PORT IS NOT UTILIZED, TIGHTEN BEFORE USE.
- ② - CONTACT DEUBLIN OR VISIT WWW.DEUBLIN.COM FOR INSTRUCTION MANUAL: 040-550 (B)
- ③ - DEPENDING ON COUNTRY OF ORIGIN, HEX STOCK MAY VARY AS NOTED. SEE TABLE FOR ACCEPTABLE WRENCH SIZES. (B)



OPERATING DATA

MEDIA	WATER	SATURATED STEAM (INTERMITTENT)	THERMAL OIL
PRESSURE MAX.	50 bar	1 bar	6.6 bar
SPEED MAX.	1500 min ⁻¹		
TEMPERATURE MAX.	121 °C		
DRY RUN (WITHOUT ANY MEDIA)	NO		
RECOMMENDED FILTRATION	60 micron		

③ ②	HEX SIZES		WRENCHES	
	UNITS	"A"	22mm	7/8"
(B)	METRIC [mm]	22-0.33	✓	✓
	IMPERIAL [in]	22.23-0.013	✗	✓



PROJECTION:	SCALE: 2:1	MATERIAL:	INTERFACE CONTROL DRAWING
DATE	NAME	TITLE:	DEUBLIN UNION
DRN. 07/09/13	G. Allen		
ENGR. 07/09/13	T. Wilson		
APPD.			
NO.	57-000-008	SHEET	A2

B	SEE CD	60039	1/21	MTS
A	SEE CD	057790	09/20	NR
ISSUE/MODIFICATION	ECO	DATE	SIGN	

UNLESS SPECIFICALLY TOLERANCED, ALL DIMENSIONS ARE CONSIDERED REFERENCE