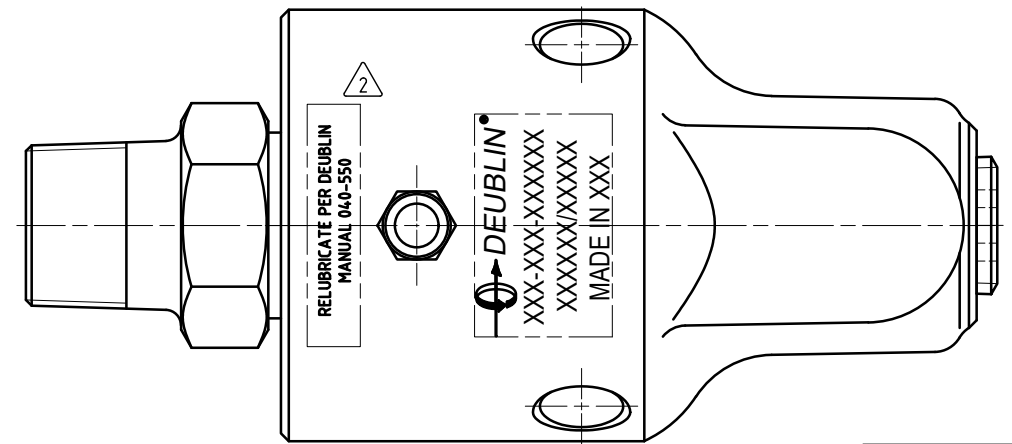
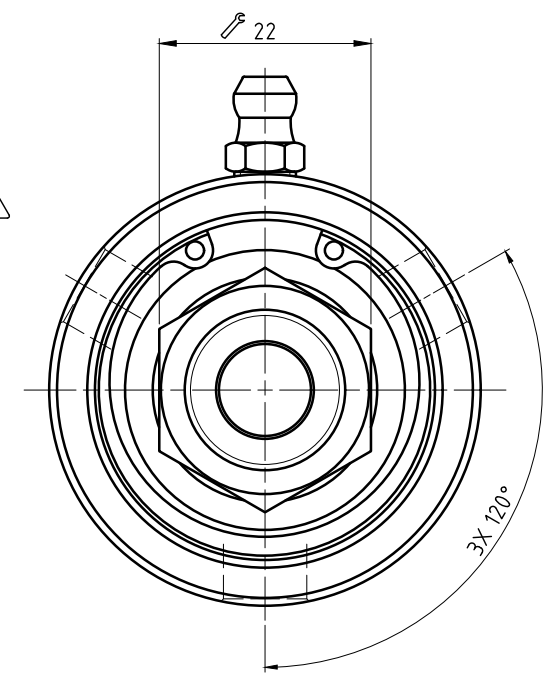
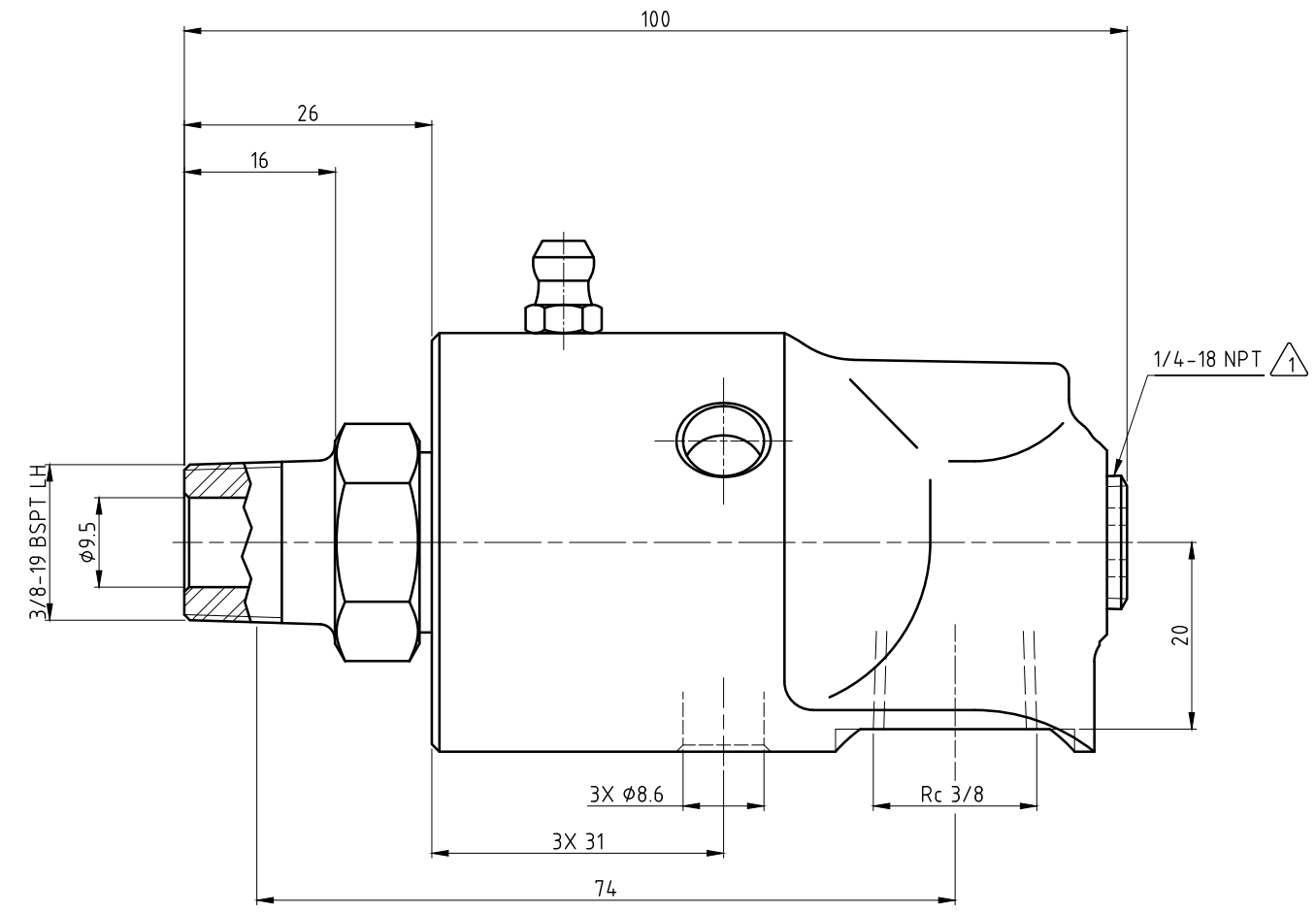
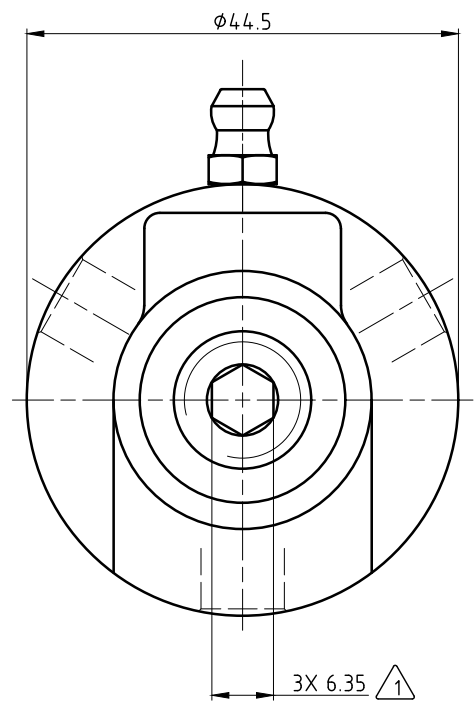


CONFIDENTIAL
 The reproduction, distribution and utilization of this document as well as the communication of its contents to others without express authorization is prohibited. Offenders will be held liable for the payment of damages. All rights reserved in the event of the grant of a patent, utility model or design.

- NOTES:
- ① - PLUG INSTALLED HAND TIGHT FROM FACTORY. IF PORT IS NOT UTILIZED, TIGHTEN BEFORE USE.
 - ② - CONTACT DEUBLIN OR VISIT WWW.DEUBLIN.COM FOR INSTRUCTION MANUAL: 040-550



②
 RELUBRICATE PER DEUBLIN
 MANUAL 040-550
 DEUBLIN
 XXX-XXX-XXXXXX
 XXX-XXX-XXXXXX
 MADE IN XXX

OPERATING DATA			
MEDIA	WATER	SATURATED STEAM (INTERMITTENT)	THERMAL OIL
PRESSURE MAX.	50 bar	1 bar	6.6 bar
SPEED MAX.	1500 min ⁻¹		
TEMPERATURE MAX.	120 °C		
DRY RUN (WITHOUT ANY MEDIA)	NO		
RECOMMENDED FILTRATION	60 micron		

		PROJECTION: 	SCALE: 2:1 MATERIAL: INTERFACE CONTROL DRAWING
DATE: 08/13/2020 NAME: MSveflecich		TITLE: DEUBLIN UNION	
DATE: 10/2/2020 NAME: RMIKA		NO. 57-045-631	
DATE: 08/20 NAME: MTS		SHEET A2	
DATE: 05/23/20 NAME: ECO		UNLESS SPECIFICALLY TOLERANCED, ALL DIMENSIONS ARE CONSIDERED REFERENCE	